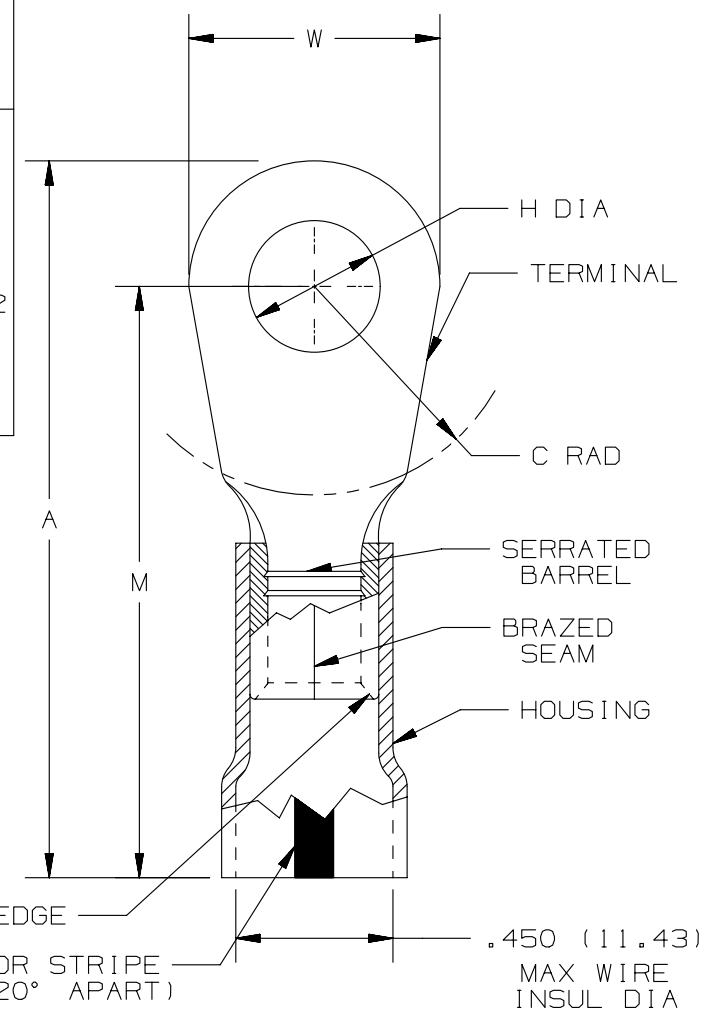


THIS COPY IS PROVIDED ON A RESTRICTED BASIS AND IS NOT TO BE USED IN ANY WAY DETRIMENTAL TO THE INTERESTS OF PANDUIT CORP.

PANDUIT PART NUMBER	STUD SIZE	DIMENSIONS - IN.					TOOL
		A±.03	W±.01	C±.02	M±.03	H±.01	
PK4-10R	#10	1.86 (47.24)	.55 (13.97)	.50 (12.7)	1.59 (40.39)	.20 (5.08)	CT-2600 WITH DIE # CD-2600-PV2
PK4-14R	1/4"	1.86 (47.24)	.55 (13.97)	.50 (12.7)	1.59 (40.39)	.27 (6.86)	
PK4-56R	5/16"	1.93 (49.02)	.68 (17.27)	.50 (12.7)	1.59 (40.39)	.33 (8.38)	
PK4-38R	3/8"	1.93 (49.02)	.68 (17.27)	.50 (12.7)	1.59 (40.39)	.39 (9.91)	
PK4-12R	1/2"	2.02 (51.31)	.86 (21.84)	.50 (12.7)	1.59 (40.39)	.52 (13.21)	



LISTED  
587H  
E52164

NOTES:

- RATED FOR:  
A. #4 AWG STRANDED COPPER WIRE
- SEE [www.panduit.com](http://www.panduit.com) FOR PART NUMBER SUFFIX DESIGNATION FOR PACKAGE SIZE.
- MATERIAL:  
A. STAMPING - .050" (1.27) THK COPPER, TIN PLATED  
B. HOUSING - KYNAR, YELLOW STRIPE
- DIMENSIONS IN BRACKETS ARE IN MILLIMETERS
- WIRE STRIP LENGTH: 1/2" +1/32" (12.7 +0.8) -0 -0.0

BEVELED EDGE  
YELLOW COLOR STRIPE (3 PLCS @ 120° APART)  
.450 (11.43) MAX WIRE INSUL DIA

TITLE #4 BARREL KYNAR INSULATED RING TONGUE .450 (11.43) MAX. WIRE INSUL. DIAMETER CUSTOMER DRAWING	
ITEM REVISION NAME A41714BA/03	<b>PANDUIT</b>
DATASET FILE NAME A41714BA/03	
UNLESS OTHERWISE SPECIFIED, DIMENSIONAL TOLERANCES ARE: IN (mm)	
.X ± .XX ±	.XXX ± ANGLES ±
THIRD ANGLE PROJECTION	
DRAWING NUMBER: A41714	
DRAWN BY JHNU	DATE 2/05
CHK LCA	SCALE N/A
SHT 1 OF 1	
SIZE A	

REV	DATE	BY	CHK	APR	DESCRIPTION	ECN
03	5/14	JHNU	JHNU	RGB	REVISED TABLE: ADDED TOOL INFORMATION ADDED UL LOGO REVISED TITLE BLOCK	

D101000DA/16