

FEATURES

- Continuous time linear equalizer (CTLE) with up to 18 dB equalization
- Loss of signal (LOS) detection with programmable threshold and hysteresis
- Driver performance
 - Programmable differential swing: 400 mV p-p differential to 900 mV p-p differential
 - Programmable driver output with up to 12 dB de-emphasis
- Automatic electrical idle and receiver detection
- Output polarity inversion and automatic output squelch
- Single supply (2.5 V or 3.3 V)
- Low power operation: 80 mW per channel
 - Per lane power-down options
- Flexible configuration interface: pin strap, 2-wire interface, or EEPROM

APPLICATIONS

- QSFP+ direct attach active copper modules
- 10 Gb, 40 Gb Ethernet and OTN line cards
- 10 Gb, 40 Gb backplane drivers
- 8 Gb, 16 Gb Fibre Channel and InfiniBand® EDR line cards and backplane drivers

- 8 Gb, 10 Gb, 16 Gb active optical modules
- 8 Gb, 10 Gb, 16 Gb active copper cable assemblies
- 1.5 Gb, 3 Gb, 6 Gb, 12 Gb SAS/SATA
- PCIe 1.x, 2.0, 3.0
- Broadband and automatic test and measurement

GENERAL DESCRIPTION

The **HMC7545** is a unidirectional, quad-channel, protocol and data rate agnostic, asynchronous signal conditioner, designed for short and intermediate range optical modules, line cards, and backplane applications operating at up to 14.2 Gbps.

Each channel provides programmable input equalization, LOS and receiver detection, automatic output squelch, programmable output swing and output de-emphasis.

All high speed differential inputs and outputs of the **HMC7545** are current mode logic (CML), terminated on-chip with $50\ \Omega$ to the positive supply, and can be dc-coupled or ac-coupled.

The device uses a single supply, 2.5 V or 3.5 V, and its typical power dissipation is less than 80 mW per channel.

The **HMC7545** is packaged in a 36-lead, 4 mm × 7 mm LFCSP package and operates from -40°C to $+85^{\circ}\text{C}$.

FUNCTIONAL BLOCK DIAGRAM

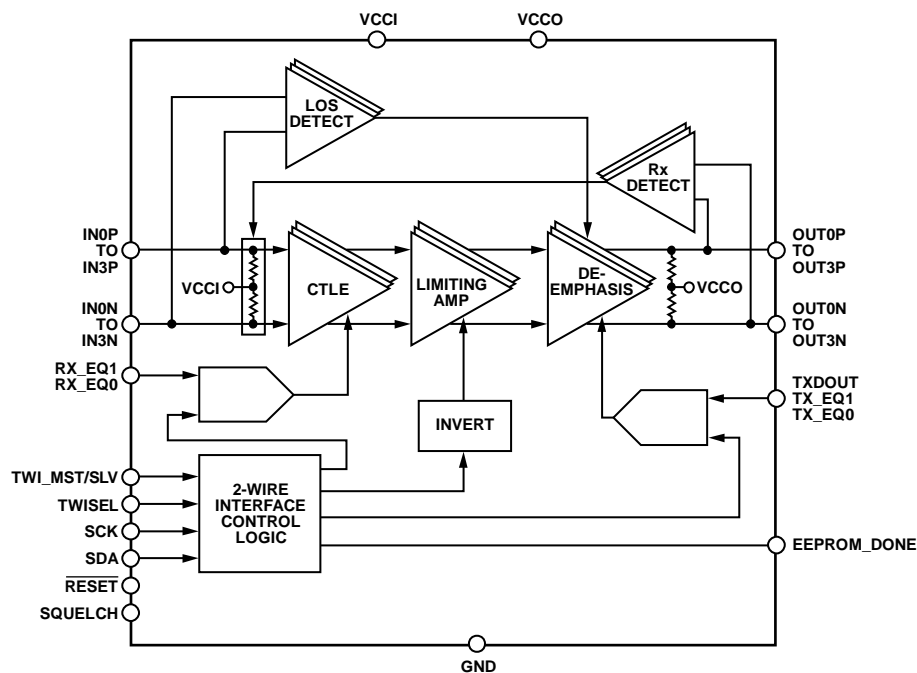


Figure 1.

For more information about the **HMC7545**, contact Analog Devices, Inc., at RFMG-HSL@analog.com.

Rev. Sp0

[Document Feedback](#)

Information furnished by Analog Devices is believed to be accurate and reliable. However, no responsibility is assumed by Analog Devices for its use, nor for any infringements of patents or other rights of third parties that may result from its use. Specifications subject to change without notice. No license is granted by implication or otherwise under any patent or patent rights of Analog Devices. Trademarks and registered trademarks are the property of their respective owners.

One Technology Way, P.O. Box 9106, Norwood, MA 02062-9106, U.S.A.
 Tel: 781.329.4700 ©2015 Analog Devices, Inc. All rights reserved.
[Technical Support](#) www.analog.com

HMC7545* PRODUCT PAGE QUICK LINKS

Last Content Update: 02/23/2017

COMPARABLE PARTS

View a parametric search of comparable parts.

EVALUATION KITS

- HMC7545 Evaluation Board

DESIGN RESOURCES

- HMC7545 Material Declaration
- PCN-PDN Information
- Quality And Reliability
- Symbols and Footprints

DISCUSSIONS

View all HMC7545 EngineerZone Discussions.

SAMPLE AND BUY

Visit the product page to see pricing options.

TECHNICAL SUPPORT

Submit a technical question or find your regional support number.

DOCUMENT FEEDBACK

Submit feedback for this data sheet.

NOTES