

THIS INFORMATION IS CONFIDENTIAL AND PROPRIETARY TO CW INDUSTRIES INCORPORATED AND ITS AFFILIATES. IT MAY NOT BE DISCLOSED TO ANYONE OTHER THAN CW INDUSTRIES PERSONNEL. WITHOUT WRITTEN AUTHORIZATION FROM CW INDUSTRIES INCORPORATED, SOUTHAMPTON, PENNSYLVANIA USA.

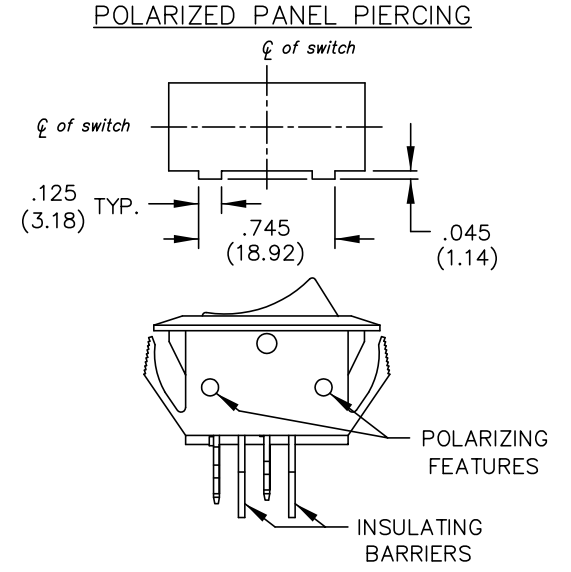
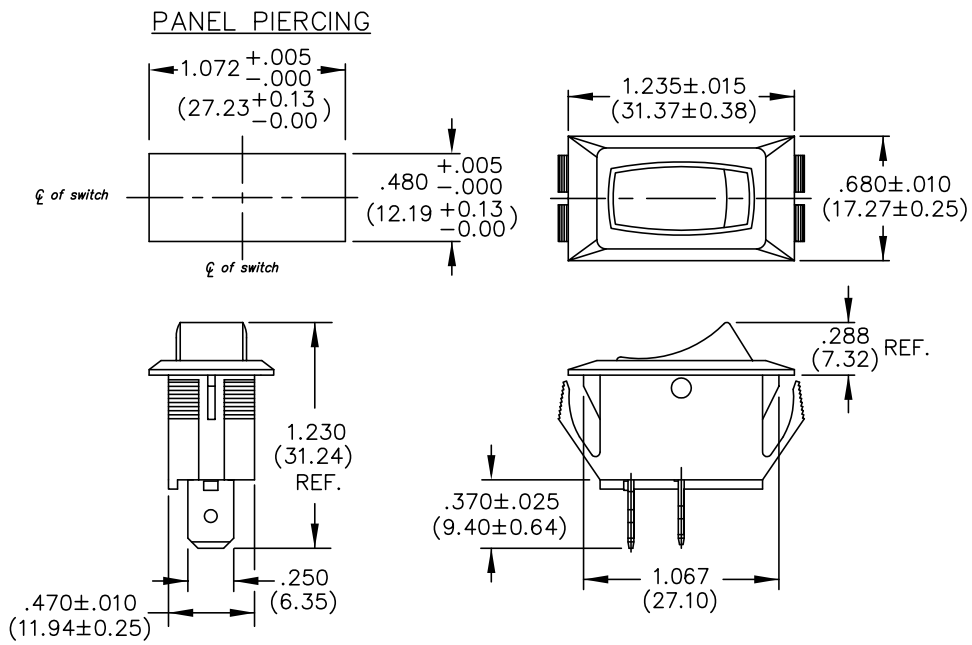
A B C D E F

DIMENSIONS IN INCHES (MILLIMETERS)  
DO NOT SCALE DRAWING .....

Dwg. No.  
GRS-2011-3XXX

PANEL THICKNESS  
.025" to .180"  
(0.64mm to 4.57mm)

OPTIONS:



TERMINAL OPTIONS:

.250" Wide Terminal is standard as Shown in drawing.  
.187" Wide Terminal is optional.

1 2 3 4 5 6 7 8 9 10

B-FORMAT 2002  
REVISIONS

PDF FILE MADE	<b>CW INDUSTRIES</b> Southampton, Pa. 18966		Title: ROCKER SWITCH NARROW BODY ASSEMBLY S.P.S.T. WITH OPTIONS 1.072" x .480" PANEL
	TOLERANCES UNLESS OTHERWISE SPECIFIED		Division: SWITCH
	2 Place Decimal ±.010 3 Place Decimal ±.005 Angles ..... ±'	METRIC 1 Place Dec. ±.25mm 2 Place Dec. ±.13mm	Dwg. No. GRS-2011-3XXX
	Made for: CW IND. Drawn by: DGW 6-16-2010 Checked by: Approval:		