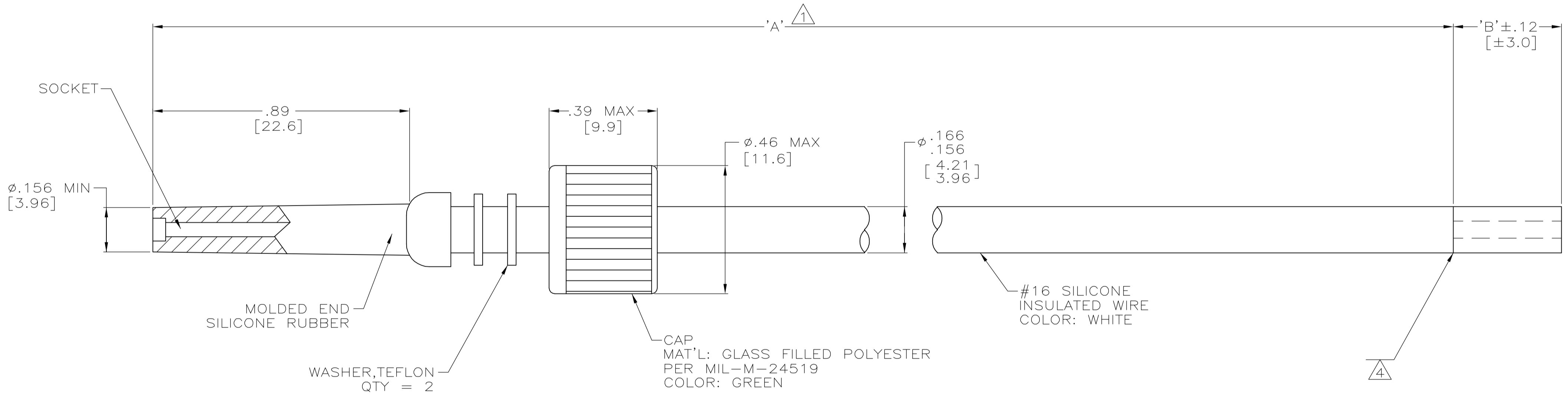


LOC		DIST		REVISIONS			
DF	X5	REV	DESCRIPTION	DATE	BY	APP'D	
A			RELEASED PER ECO-05-001646	06-05	AA	DE	

PART NO.	'A'	'B'
5830613-1	24.00 [609.6]	.25 [6.4]
5830613-2	12.00 [304.8]	.25 [6.4]
5830613-5	10.00 [254.0]	.38 [9.7]
5830613-6	20.00 [508.0]	.38 [9.7]
5830613-7	36.00 [914.4]	.38 [9.7]
1-5830613-2	18.00 [457.2]	.38 [9.7]
1-5830613-4	48.00 [1219.2]	.38 [9.7]
2-5830613-2	14.00 [355.6]	.38 [9.7]
5-5830611-2	39.00 [990.6]	.38 [9.7]

1. TOLERANCE OF LEAD LENGTH:  
 UP TO 24 INCHES [609.6] = ±.12 [±3.0]  
 24 INCHES [609.6] & UP = ±1%
2. MARKED PER MIL-STD-130.
3. TO MATE WITH AMP LGH-1/2  
 RECEPTACLE WITH .89 [22.6] BARREL DEPTH.
4. INSULATION CUT TO LENGTH 'B' BUT NOT REMOVED.
5. OPERATING VOLTAGE: 15 KVDC AT 0 TO 70,000 FEET, -55°C TO 125°C.



THIS DRAWING IS A CONTROLLED DOCUMENT.		DWG A.H.ANDERSON 09-JUN-05	Tyco Electronics Corporation Harrisburg, Pa 17105-3608
DIMENSIONS: INCHES		CHK D. FARY 09-JUN-05	
TOLERANCES UNLESS OTHERWISE SPECIFIED:		APP'D D. FARY 09-JUN-05	NAME
0 PLC ± -		PRODUCT SPEC	LEAD ASS'Y
1 PLC ± -		APPLICATION SPEC	SGL END
2 PLC ± .02 [0.5]		RESTRICTED TO	LGH-1/2L
3 PLC ± -		SIZE	A1
4 PLC ± -		CAGE CODE	00779
ANGLES ± -		DRAWING NO	C=5830613
FINISH SEE CALLOUTS	WEIGHT	SCALE	4:1
MATERIAL SEE CALLOUTS	CUSTOMER DRAWING	SHEET	1 OF 1
		REV	A