



PART NUMBER: CMS0281KLX

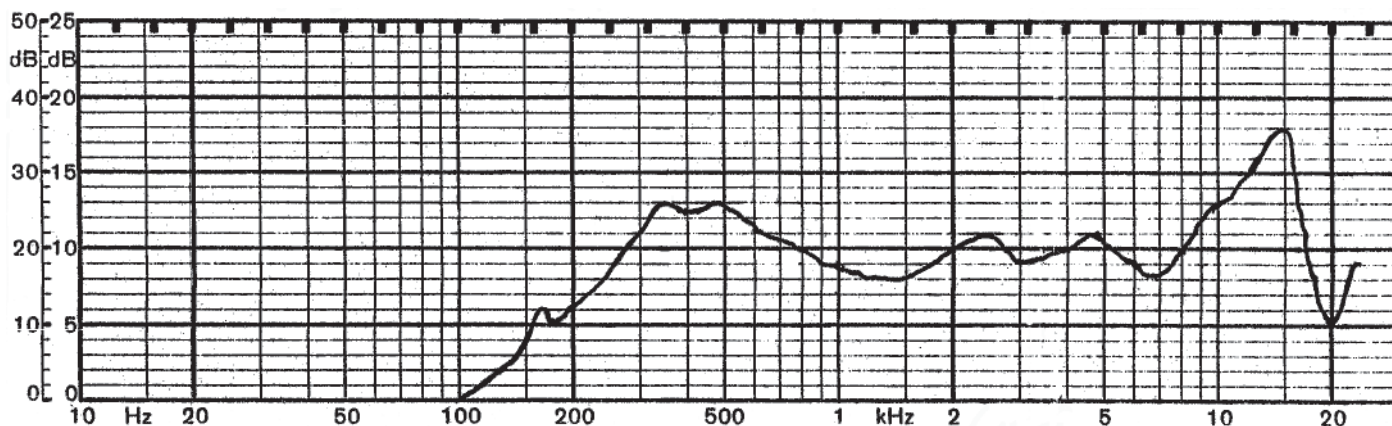
DESCRIPTION: SPEAKER

SPECIFICATIONS

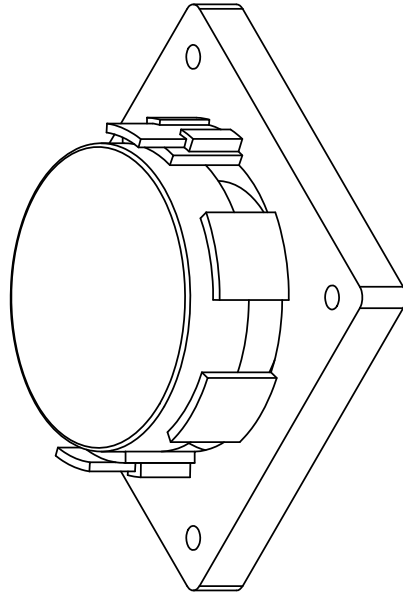
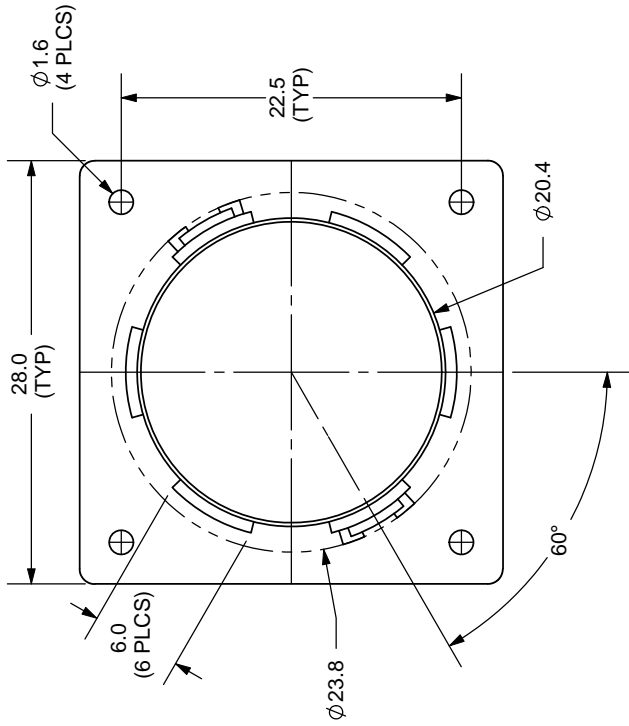
parameter	conditions/description	min	nom	max	units
nominal size	28 x 28 x 11.2H mm				
impedance	at 1 kHz, 1 V	6.8	8	9.2	Ω
resonant frequency	at 1 V	248	310	372	Hz
sound pressure level	1 W, 50 cm ave., at 0.5, 0.6, 0.8, 1 kHz	79	82	85	dB
response	10 dB max.	Fo		20,000	Hz
input power			2	4	W
operation	must be normal at program source		2		W
buzz, rattle, etc.	must be normal at sine wave		4		V dc
magnet	size: 14.7 x 3 mm				
load test	24 hours of white noise at		2		W
heat test	20 ~ 50% RH for 24 hours	63	65	67	°C
humidity test	90 ~ 95% RH for 24 hours	38	40	42	°C
RoHS	yes				

FREQUENCY RESPONSE CURVE

parameter	conditions/description
potentiometer range	50 dB
rectifier	RMS
lower limit frequency	20 Hz
wr. speed	100 mm/sec
zero level	60 dB



REV.	DESCRIPTION	DATE
A	NEW DRAWING	7/25/2007
B	base thickness changed from 3.0mm to 3.5mm	5/6/2008

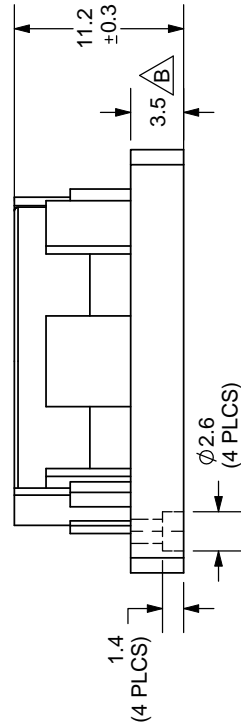


TOLERANCE:
±0.2mm UNLESS OTHERWISE
SPECIFIED



CUI INC

20050 SW 112th Ave.
Tualatin, OR 97062
Phone: 503-612-2300
800-275-4899
Fax: 503-612-2383
Website: www.cui.com



TITLE: MINIATURE MONITOR SPEAKER	REV: B
PART NO: CMS0281KLX	UNITS: MM [INCHES]
DRAWN BY: ZRJ	APPROVED BY:
	SCALE: 2:1