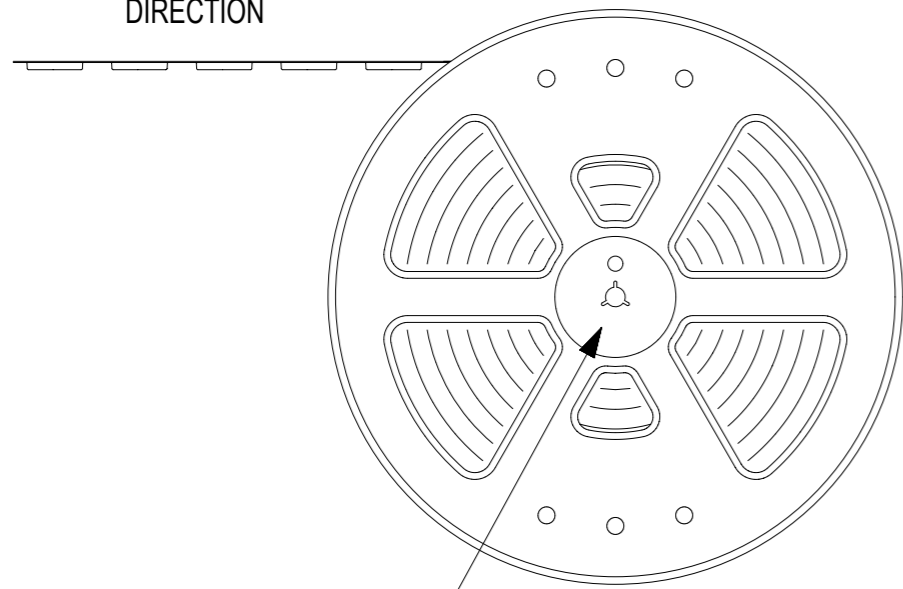
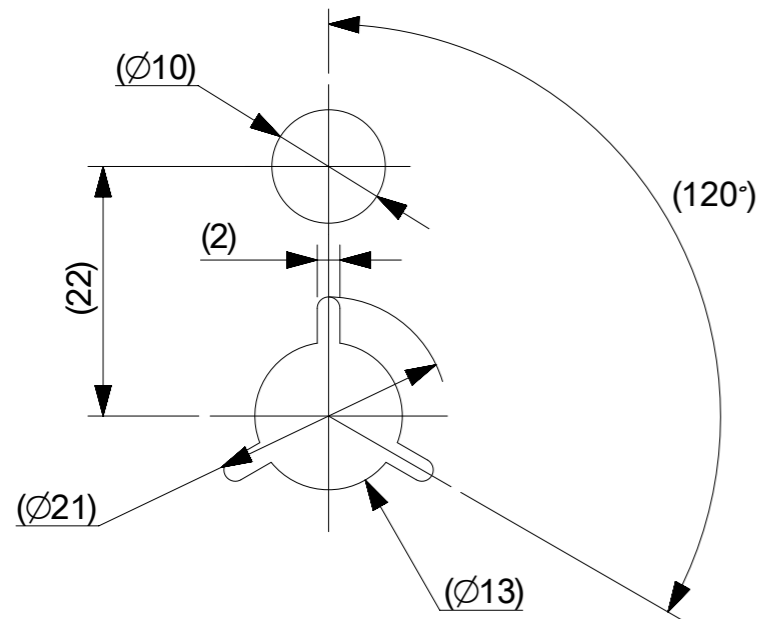
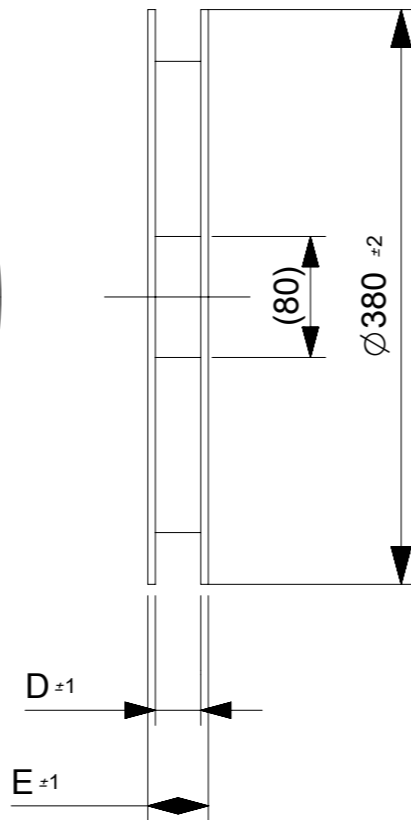


引き出し方向

PULL OUT
DIRECTION



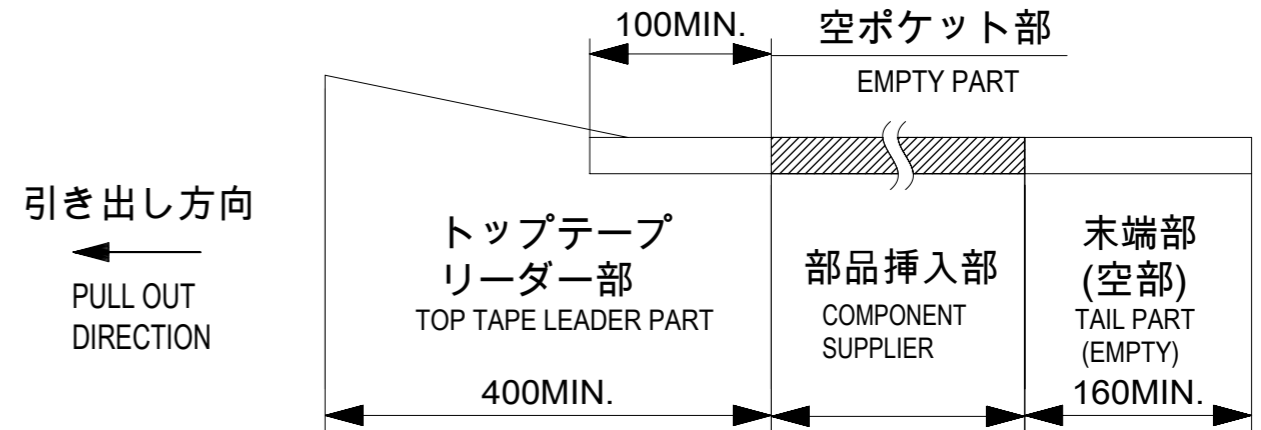
"E"



DETAIL "E"

NOTES

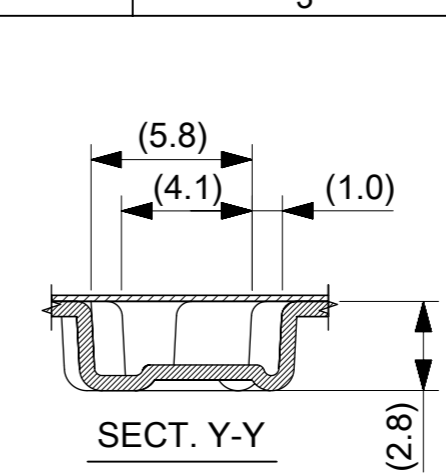
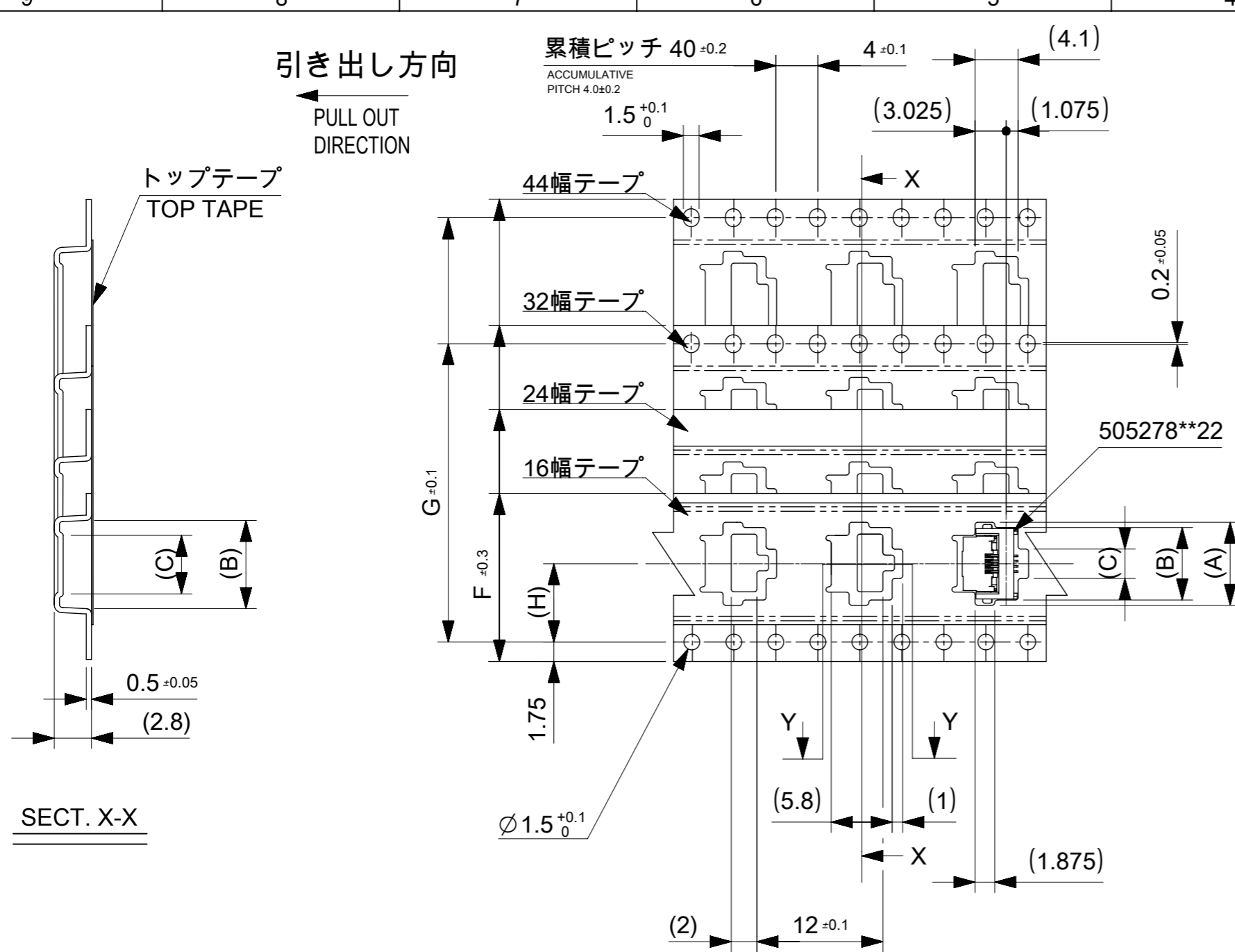
- 梱包数量 : 3000個 / リール
NUMBER OF CONNECTORS : 3000 PCS/REEL.
- リードテープ長さ
LEAD TAPE LENGTH



- カバーテープの剥離強度については、IEC60286-3に準拠。
COVER TAPE PEEL FORCE IS DEFINED BY IEC 60286-3.
- 製品詳細寸法については、図面 5052781000/1001を参照下さい。
FOR DIMENSIONS OF PRODUCT, REFER TO 5052781000/1001.
- 材料 MATERIAL
キャリアテープ : ポリスチレン
CARRIER TAPE : POLYSTYRENE
トップテープ : ポリエチレンテレフタレート、ポリエチレン
TOP TAPE : POLYETHYLENE TEREPHTHALATE, POLYETHYLENE
リール : ポリスチレン<リサイクル材を含む>
REEL : POLYSTYRENE <RECYCLE MATERIAL CONTAINED >
- ELV及びRoHS適合品 ELV AND RoHS COMPLIANT.

THIS DRAWING CONTAINS INFORMATION THAT IS PROPRIETARY TO MOLEX ELECTRONIC TECHNOLOGIES, LLC AND SHOULD NOT BE USED WITHOUT WRITTEN PERMISSION

| | | | | | | | | | |
|--|--|---------------------------------------|--------------|------------------------|---|--|--|--|--|
| EC NO: 106679 DRWN: YMIZUNO02 CHK'D: KTAKAHASHI APPR: TKUSUHARA01 | 2016/07/14 | GENERAL TOLERANCES (UNLESS SPECIFIED) | | DIMENSION UNITS | SCALE | | | | |
| | 2016/07/28 | ANGULAR TOL ± 1.0 ° | | MM | 2:1 | | | | |
| | 2016/07/29 | 4 PLACES | ± 0.03 | DRWN BY | DATE | 0.5 FFC CONN ZIF E/O EMBOSSED TAPE PKG | | | |
| | | 3 PLACES | ± 0.03 | FSATO | 2015/02/09 | | | | |
| | 2 PLACES | ± 0.05 | CHK'D BY | DATE | PRODUCT CUSTOMER DRAWING | | | | |
| | 1 PLACE | ± 0.1 | KTAKAHASHI | 2015/02/12 | | | | | |
| | 0 PLACES | ± 0.2 | APPR BY | DATE | SERIES: 505278 MATERIAL NUMBER: SEE CHART CUSTOMER: GENERAL | | | | |
| | DRAFT WHERE APPLICABLE MUST REMAIN WITHIN DIMENSIONS | | YNOGAWA | 2015/02/12 | | | | | |
| | | | DRAWING SIZE | THIRD ANGLE PROJECTION | DOCUMENT NUMBER: 5052780000 DOC TYPE: PSD DOC PART: 000 SHEET NUMBER: 1 OF 2 | | | | |
| | | | A3 | | | | | | |

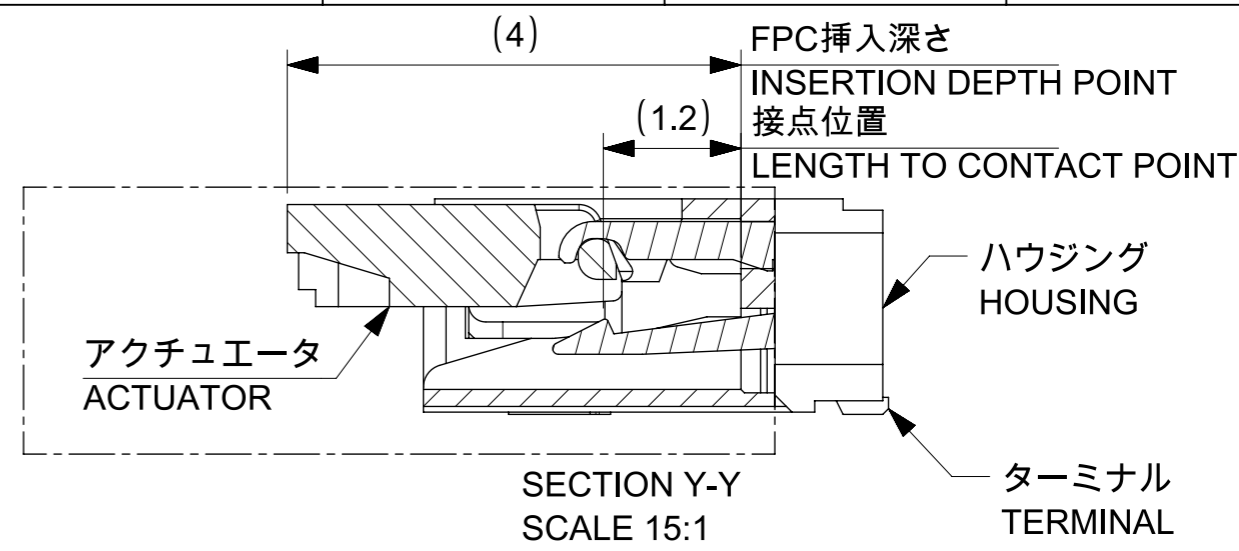
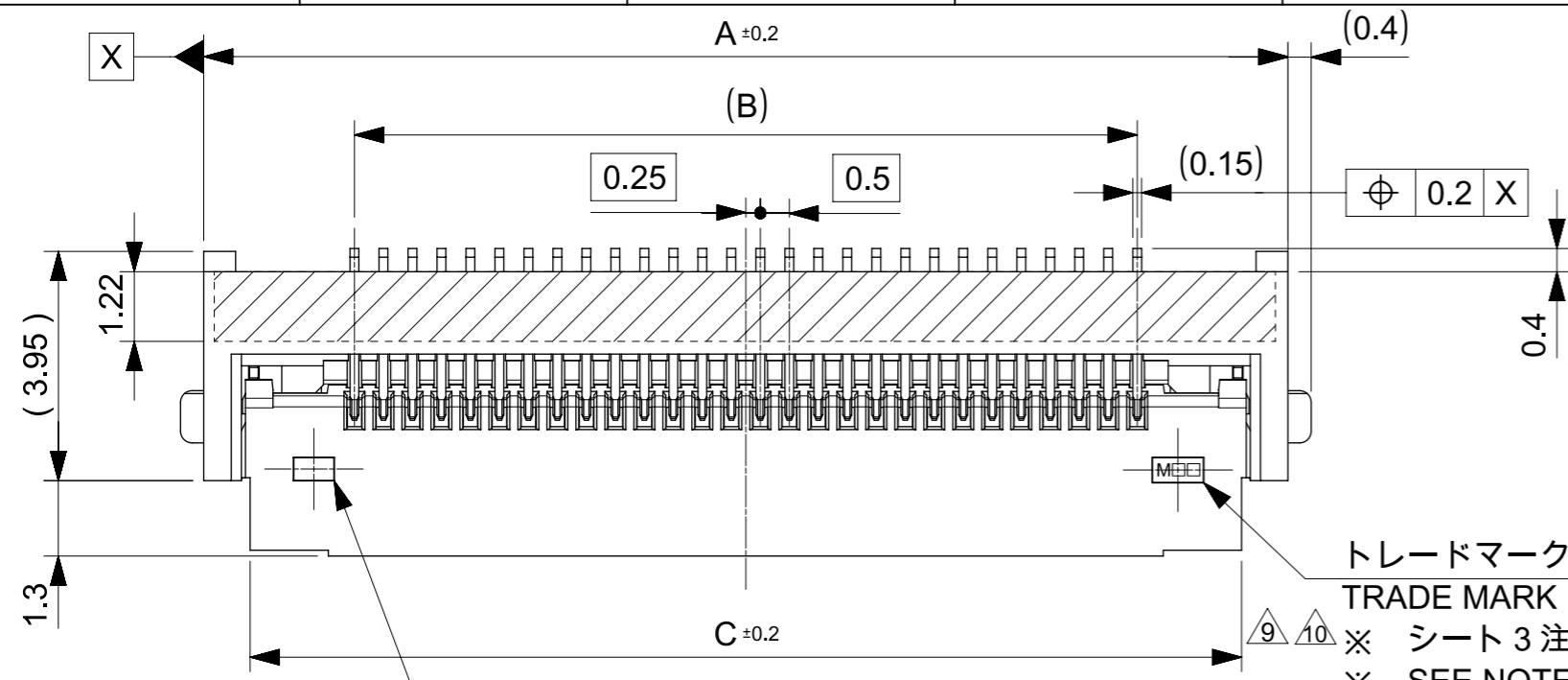


CONNECTOR SERIES NO.505278**22

| H | G | F | E | D | C | B | A | Order No. | Ckt |
|------|------|----|------|------|------|------|------|------------------|-----|
| 20.2 | 40.4 | 44 | 49.4 | 45.4 | 25.9 | 29.9 | 31 | 5052785033 | 50 |
| | | | | | 23.4 | 27.4 | 28.5 | 5052784533 | 45 |
| | | | | | 20.9 | 24.9 | 26 | 5052784033 | 40 |
| | | | | | 18.4 | 22.4 | 23.5 | 5052783533 | 35 |
| | | | | | 15.9 | 19.9 | 21 | 5052783033 | 30 |
| 14.2 | 28.4 | 32 | 37.4 | 33.4 | 14.9 | 18.9 | 20 | 5052782833 | 28 |
| | | | | | 13.9 | 17.9 | 19 | 5052782633 | 26 |
| | | | | | 12.9 | 16.9 | 18 | 5052782433 | 24 |
| | | | | | 11.9 | 15.9 | 17 | 5052782233 | 22 |
| | | | | | 10.9 | 14.9 | 16 | 5052782033 | 20 |
| | | | | | 10.4 | 14.4 | 15.5 | 5052781933 | 19 |
| | | | | | 9.9 | 13.9 | 15 | 5052781833 | 18 |
| | | | | | 9.4 | 13.4 | 14.5 | 5052781733 | 17 |
| | | | | | 8.9 | 12.9 | 14 | 5052781633 | 16 |
| | | | | | 8.4 | 12.4 | 13.5 | 5052781533 | 15 |
| | | | | | 7.9 | 11.9 | 13 | 5052781433 | 14 |
| | | | | | 7.4 | 11.4 | 12.5 | 5052781333 | 13 |
| 11.5 | --- | 24 | 29.4 | 25.4 | 6.9 | 10.9 | 12 | 5052781233 | 12 |
| | | | | | 6.4 | 10.4 | 11.5 | 5052781133 | 11 |
| | | | | | 5.9 | 9.9 | 11 | 5052781033 | 10 |
| | | | | | 5.4 | 9.4 | 10.5 | 5052780933 | 9 |
| | | | | | 4.9 | 8.9 | 10 | 5052780833 | 8 |
| | | | | | 4.4 | 8.4 | 9.5 | 5052780733 | 7 |
| | | | | | 3.9 | 7.9 | 9 | 5052780633 | 6 |
| | | | | | 3.4 | 7.4 | 8.5 | 5052780533 | 5 |
| 7.5 | --- | 16 | 21.4 | 17.4 | 2.9 | 6.9 | 8 | 5052780433 | 4 |
| | | | | | | | | EMBOSSED PACKAGE | |
| | | | | | | | | オーダー番号 ORDER NO. | Ckt |

THIS DRAWING CONTAINS INFORMATION THAT IS PROPRIETARY TO MOLEX ELECTRONIC TECHNOLOGIES, LLC AND SHOULD NOT BE USED WITHOUT WRITTEN PERMISSION

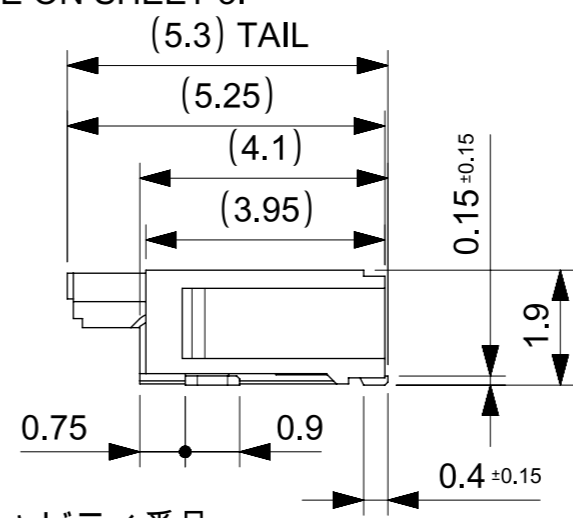
| | | | | | | | | |
|--|-----------------|--|-----------------|------------------------|--|-----------------|----------|--------------|
| EC NO: 106679 DRWN: YMIZUNO02 CHK'D: KTAKAHASHI APPR: TKUSUHARA01 | 2016/07/14 | GENERAL TOLERANCES (UNLESS SPECIFIED) | DIMENSION UNITS | SCALE | | | | |
| | 2016/07/28 | ANGULAR TOL ± 1.0 ° | MM | 2:1 | | | | |
| | 2016/07/29 | 4 PLACES ± 0.03 | DRWN BY | DATE | | | | |
| | | 3 PLACES ± 0.03 | FSATO | 2015/02/09 | | | | |
| | 2 PLACES ± 0.05 | CHK'D BY | DATE | | 0.5 FFC CONN ZIF E/O EMBOSSED TAPE PKG | | | |
| | 1 PLACE ± 0.1 | KTAKAHASHI | 2015/02/12 | | | | | |
| | 0 PLACES ± 0.2 | APPR BY | DATE | | | | | |
| | | YNOGAWA | 2015/02/12 | | | | | |
| | | DRAFT WHERE APPLICABLE MUST REMAIN WITHIN DIMENSIONS | DRAWING SIZE | THIRD ANGLE PROJECTION | PRODUCT CUSTOMER DRAWING | | | |
| | | | A3 | | SERIES | MATERIAL NUMBER | CUSTOMER | |
| | | | | | 505278 | SEE CHART | GENERAL | |
| | | | | | DOCUMENT NUMBER | DOC TYPE | DOC PART | SHEET NUMBER |
| | | | | | 5052780000 | PSD | 000 | 2 OF 2 |



金型番号及びキャビティ番号
MOLD & CAVITY NO.
※ シート 3 注記参照
※ SEE NOTE ON SHEET 3.

△9 △10 : PICK UP AREA

トレードマーク
TRADE MARK
※ シート 3 注記参照
※ SEE NOTE ON SHEET 3.



△9 △4
金具 FITTING NAIL
トレードマーク TRADE MARK

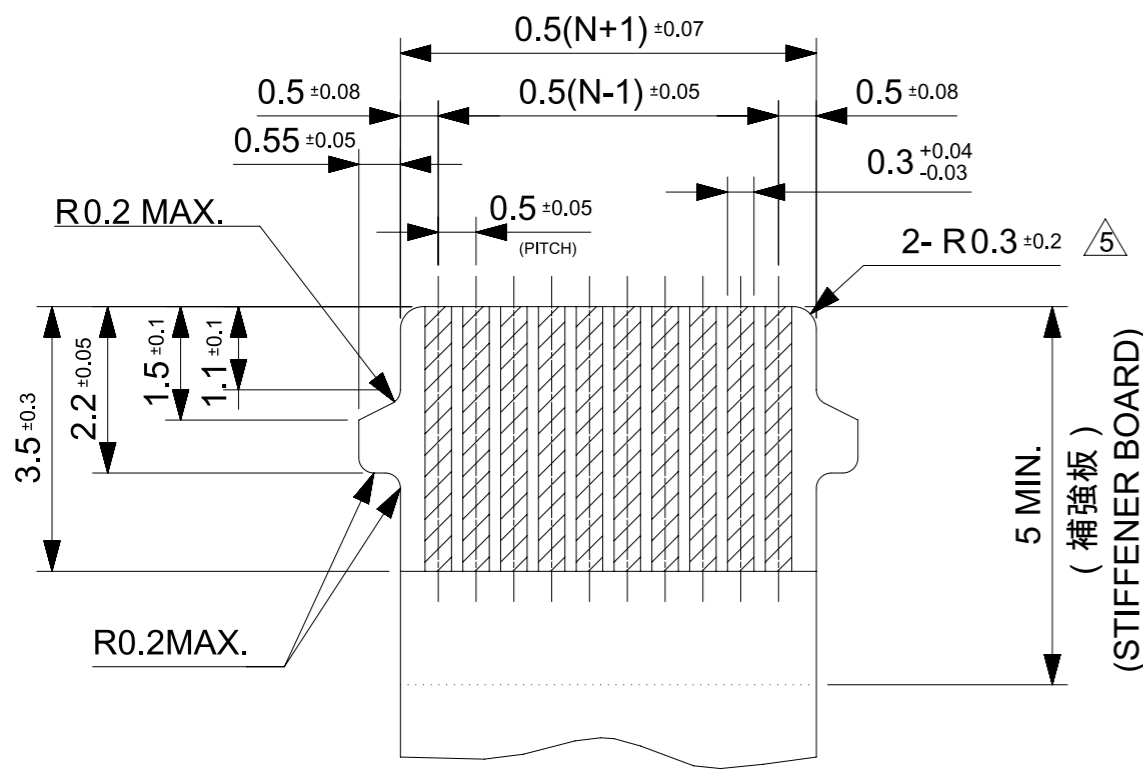
△9
金型番号及びキャビティ番号
MOLD & CAVITY NO.

| | | | | |
|------|------|------|------------------|-----|
| 17.1 | 13.5 | 18.7 | 5052782833 | 28 |
| 16.1 | 12.5 | 17.7 | 5052782633 | 26 |
| 15.1 | 11.5 | 16.7 | 5052782433 | 24 |
| 14.1 | 10.5 | 15.7 | 5052782233 | 22 |
| 13.1 | 9.5 | 14.7 | 5052782033 | 20 |
| 12.6 | 9.0 | 14.2 | 5052781933 | 19 |
| 12.1 | 8.5 | 13.7 | 5052781833 | 18 |
| 11.6 | 8.0 | 13.2 | 5052781733 | 17 |
| 11.1 | 7.5 | 12.7 | 5052781633 | 16 |
| 10.6 | 7.0 | 12.2 | 5052781533 | 15 |
| 10.1 | 6.5 | 11.7 | 5052781433 | 14 |
| 9.6 | 6.0 | 11.2 | 5052781333 | 13 |
| 9.1 | 5.5 | 10.7 | 5052781233 | 12 |
| 8.6 | 5.0 | 10.2 | 5052781133 | 11 |
| 8.1 | 4.5 | 9.7 | 5052781033 | 10 |
| 7.6 | 4.0 | 9.2 | 5052780933 | 9 |
| 7.1 | 3.5 | 8.7 | 5052780833 | 8 |
| 6.6 | 3.0 | 8.2 | 5052780733 | 7 |
| 6.1 | 2.5 | 7.7 | 5052780633 | 6 |
| 5.6 | 2.0 | 7.2 | 5052780533 | 5 |
| 5.1 | 1.5 | 6.7 | 5052780433 | 4 |
| C | B | A | EMBOSSED PACKAGE | Ckt |
| | | | オーダー番号 ORDER NO. | |

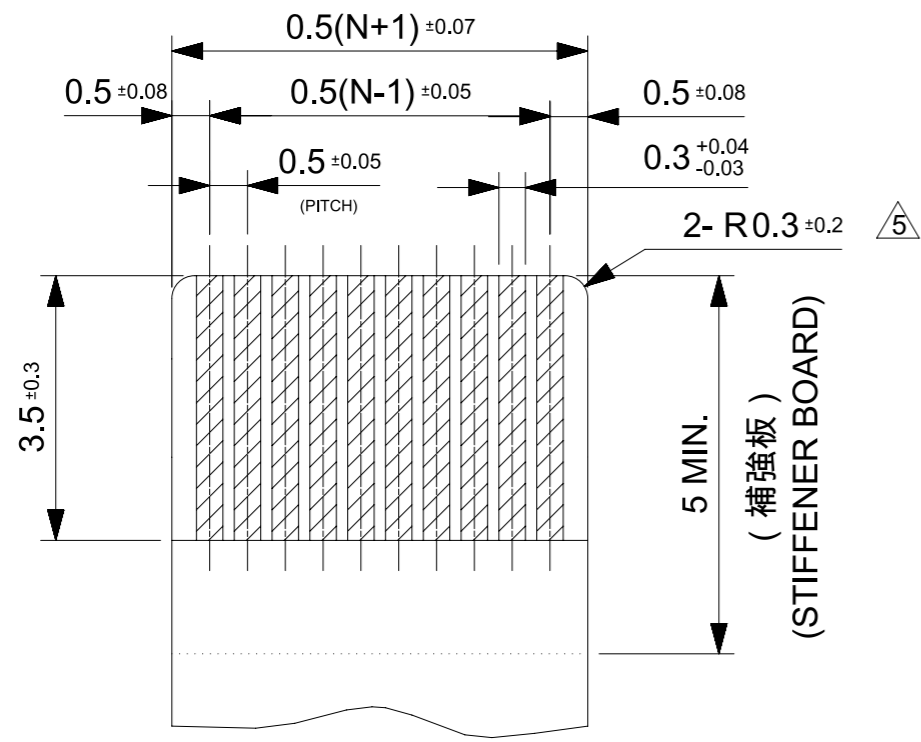
CONNECTOR SERIES NO. 505278**22

THIS DRAWING CONTAINS INFORMATION THAT IS PROPRIETARY TO MOLEX INCORPORATED AND SHOULD NOT BE USED WITHOUT WRITTEN PERMISSION

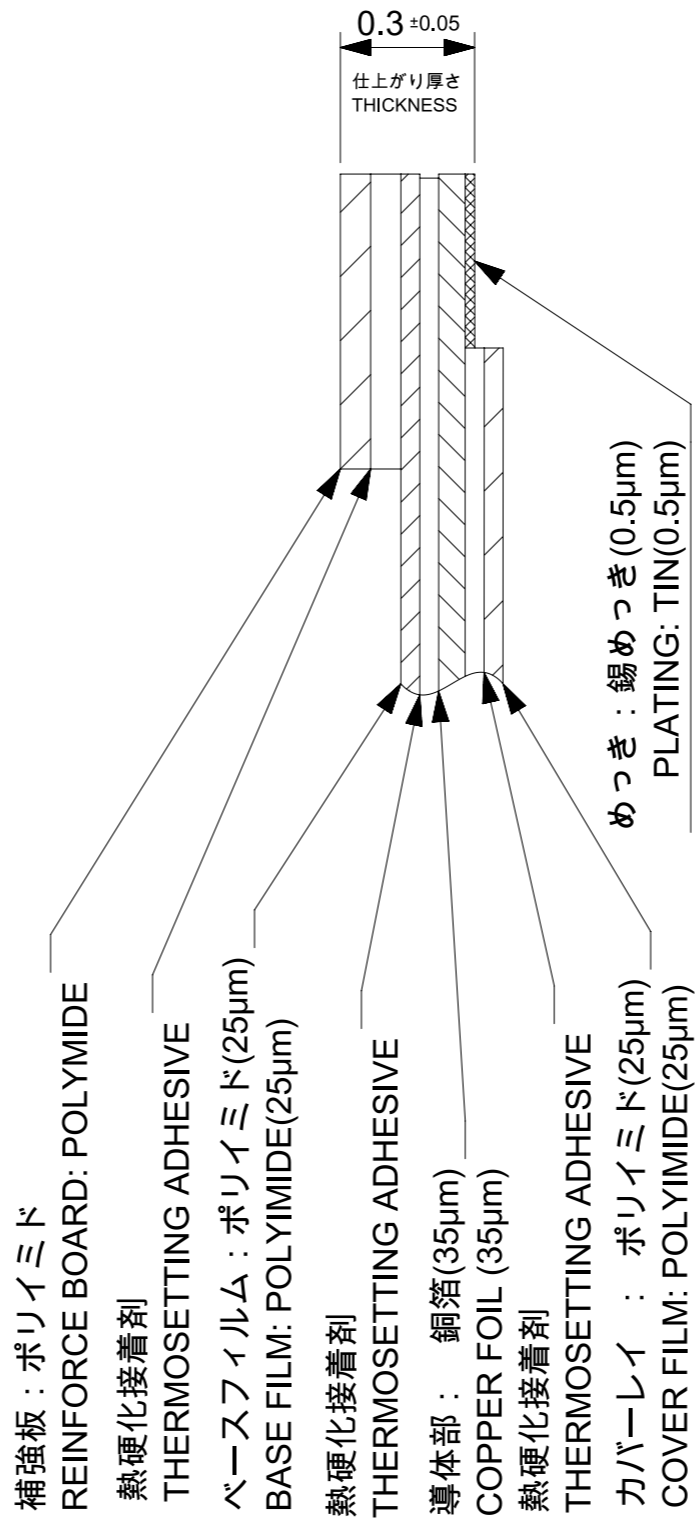
| | | | | | | | | | |
|--|----------|----------|----------|-----------------|---|-------------------------------------|------------------------|--|--|
| REVISED EC NO: 100298 DRWN: TMORISHITA CHK'D: KTAKAHASHI APPR: YNOGAWA | 03/27/15 | 03/27/15 | 03/27/15 | QUALITY SYMBOLS | GENERAL TOLERANCES (UNLESS SPECIFIED) ANGULAR TOL ± 1.0 ° 4 PLACES ± 0.2 3 PLACES ± 0.2 2 PLACES ± 0.2 1 PLACE ± 0.25 0 PLACES ± 0.3 DRAFT WHERE APPLICABLE MUST REMAIN WITHIN DIMENSIONS | DIMENSION UNITS | SCALE | 0.5 FFC CONN ZIF E/O BTM CONT TYPE ASSY PRODUCT CUSTOMER DRAWING SERIES: 505278 MATERIAL NUMBER: SEE CHART CUSTOMER: SEE CHART DOCUMENT NUMBER: 5052781000 DOC TYPE: PSD DOC PART: 000 SHEET NUMBER: 1 OF 3 | |
| | | | | ▽ = 0 | | MM | 8:1 | | |
| | | | | ▽ = 0 | | DRWN BY: TMORISHITA DATE: 02/09/15 | | | |
| | | | | ▽ = 0 | | CHK'D BY: KTAKAHASHI DATE: 02/12/15 | | | |
| | | | | | | APPR BY: YNOGAWA DATE: 02/12/15 | | | |
| | | | | | | DRAWING SIZE: A3 | THIRD ANGLE PROJECTION | | |



適合FPC/FFC推奨寸法
APPLICABLE FPC/FFC
RECOMMENDED DIMENSION

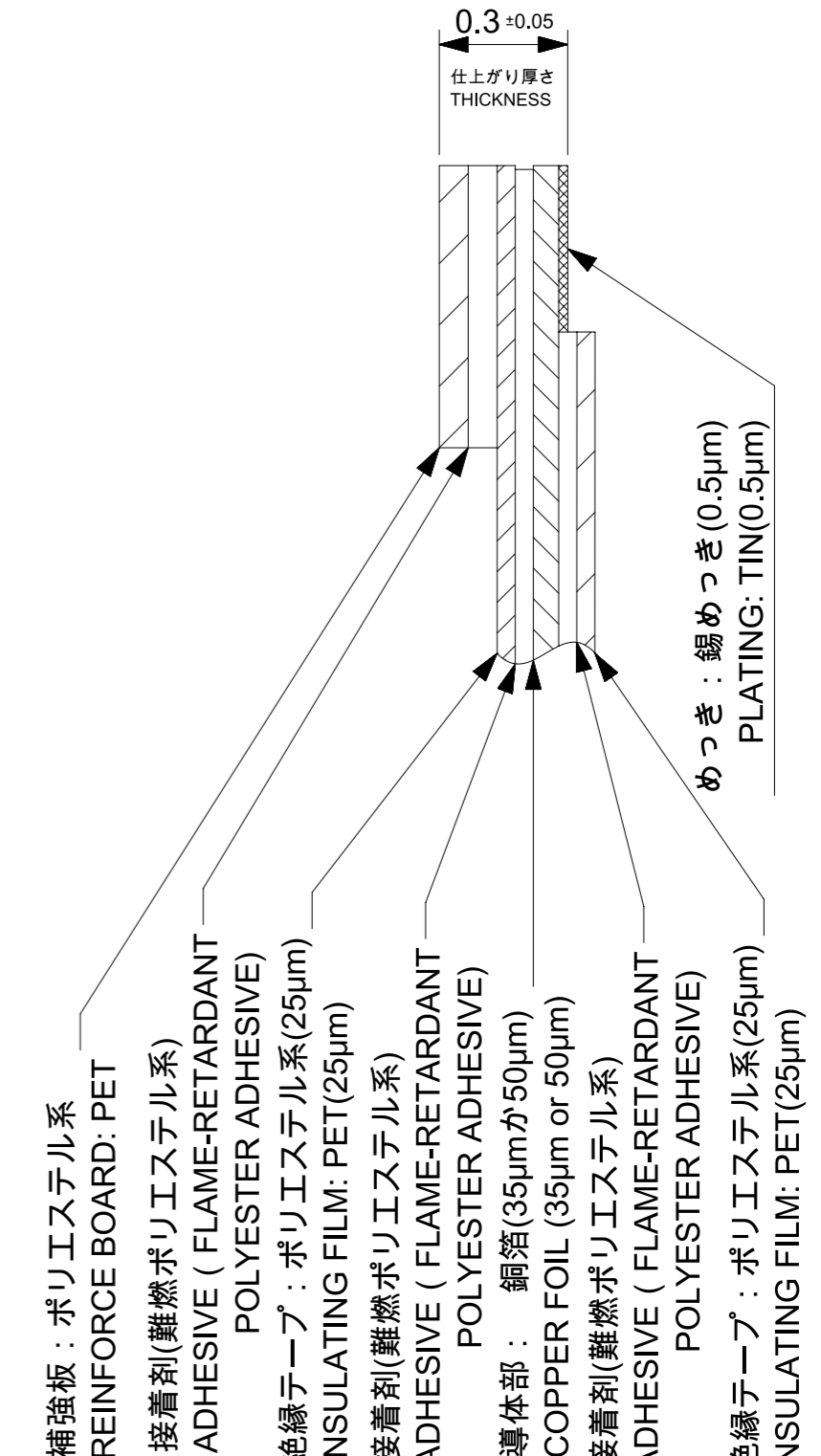


耳無し適合FPC/FFC推奨寸法
APPLICABLE NON-TAB FPC/FFC
RECOMMENDED DIMENSION



- 補強板: ポリイミド
REINFORCE BOARD: POLYIMIDE
- 熱硬化接着剤
THERMOSETTING ADHESIVE
- ベースフィルム: ポリイミド(25µm)
BASE FILM: POLYIMIDE(25µm)
- 熱硬化接着剤
THERMOSETTING ADHESIVE
- 導体部: 銅箔(35µm)
COPPER FOIL (35µm)
- 熱硬化接着剤
THERMOSETTING ADHESIVE
- カバーレイ: ポリイミド(25µm)
COVER FILM: POLYIMIDE(25µm)
- めっき: 錫めっき(0.5µm)
PLATING: TIN(0.5µm)

FPC構成推奨仕様
STRUCTURE OF FPC



- 補強板: ポリエステル系
REINFORCE BOARD: PET
- 接着剤(難燃ポリエステル系)
ADHESIVE (FLAME-RETARDANT POLYESTER ADHESIVE)
- 絶縁テープ: ポリエステル系(25µm)
INSULATING FILM: PET(25µm)
- 接着剤(難燃ポリエステル系)
ADHESIVE (FLAME-RETARDANT POLYESTER ADHESIVE)
- 導体部: 銅箔(35µmか50µm)
COPPER FOIL (35µm or 50µm)
- 接着剤(難燃ポリエステル系)
ADHESIVE (FLAME-RETARDANT POLYESTER ADHESIVE)
- 絶縁テープ: ポリエステル系(25µm)
INSULATING FILM: PET(25µm)
- めっき: 錫めっき(0.5µm)
PLATING: TIN(0.5µm)

FFC構成推奨仕様
STRUCTURE OF FFC

THIS DRAWING CONTAINS INFORMATION THAT IS PROPRIETARY TO MOLEX INCORPORATED AND SHOULD NOT BE USED WITHOUT WRITTEN PERMISSION

| | | | | | | | | | | |
|---------|-------------------|----------|-----------------|---------------------------------------|---------------------|------------------------|---|-----------------|----------|--------------|
| REVISED | EC NO: 100298 | 03/27/15 | QUALITY SYMBOLS | GENERAL TOLERANCES (UNLESS SPECIFIED) | DIMENSION UNITS | SCALE | molex | | | |
| | DRWN: TMORISHITA | 03/27/15 | | | MM | ≠≠ | | | | |
| | CHK'D: KTAKAHASHI | 03/27/15 | | | ANGULAR TOL ± 1.0 ° | DRWN BY | | DATE | | |
| | REV APPR: YNOGAWA | 03/27/15 | | | 4 PLACES ± 0.2 | TMORISHITA | | 02/09/15 | | |
| | | | | 3 PLACES ± 0.2 | CHK'D BY | DATE | 0.5 FFC CONN ZIF E/O BTM CONT TYPE ASSY | | | |
| | | | | 2 PLACES ± 0.2 | KTAKAHASHI | 02/12/15 | | | | |
| | | | | 1 PLACE ± 0.25 | APPR BY | DATE | | | | |
| | | | | 0 PLACES ± 0.3 | YNOGAWA | 02/12/15 | | | | |
| | | | | DRAFT WHERE APPLICABLE | DRAWING SIZE | THIRD ANGLE PROJECTION | PRODUCT CUSTOMER DRAWING | | | |
| | | | | MUST REMAIN WITHIN DIMENSIONS | A3 | | SERIES | MATERIAL NUMBER | CUSTOMER | |
| | | | | | | | 505278 | SEE SHEET 1 | | |
| | | | | | | | DOCUMENT NUMBER | DOC TYPE | DOC PART | SHEET NUMBER |
| | | | | | | | 5052781000 | PSD | 000 | 2 OF 3 |

注記 NOTES

1.使用材料 MATERIAL
 ハウジング :液晶ポリマー ガラス充填、UL94V-0(ベージュ)
 HOUSING LIQUID CRYSTAL POLYMER GLASS FILLED, UL94V-0(BEIGE)
 アクチュエータ :ポリアミド ガラス充填、UL94V-0(黒)
 ACTUATOR POLYAMIDE GLASS FILLED, UL94V-0(BLACK)
 ターミナル :リン青銅(t=0.15)
 TERMINAL PHOSPHOR BRONZE
 金具 :リン青銅(t=0.15)
 FITTING NAIL PHOSPHOR BRONZE

2.めっき仕様 PLATING
 ターミナル TERMINAL
 錫銀ビスマスめっき (1.0μm以上)
 下地:ニッケルめっき (1.0μm以上)
 TINSILVER BISMUTH PLATING (1.0 MICROMETER MINIMUM)
 UNDERPLATE : NICKEL OVERALL (1.0 MICROMETER MINIMUM)
 金具 FITTING NAIL
 錫めっき (1.0μm以上)
 下地:ニッケルめっき (1.0μm以上)
 TIN PLATING (1.0 MICROMETER MIN.)
 UNDER PLATING : NICKEL PLATING (1.0 MICROMETER MIN.)

3.エンボステーパ梱包時は、アクチュエータが閉じた状態とする。
 IN THE PACKAGE, ACTUATOR OF PART SHOULD BE CLOSED.

4. パターン剥離止め用金具
 FITTING NAIL FOR PREVENTION OF PEELING OF P.C.B. PATTERN.

5. R0.3はFPC/FFC導体部にかからないこと。
 R0.3 MUST NOT BE OVERLAPPED TO PATTERN OF FPC/FFC.

6.N:極数 N:CIRCUIT.

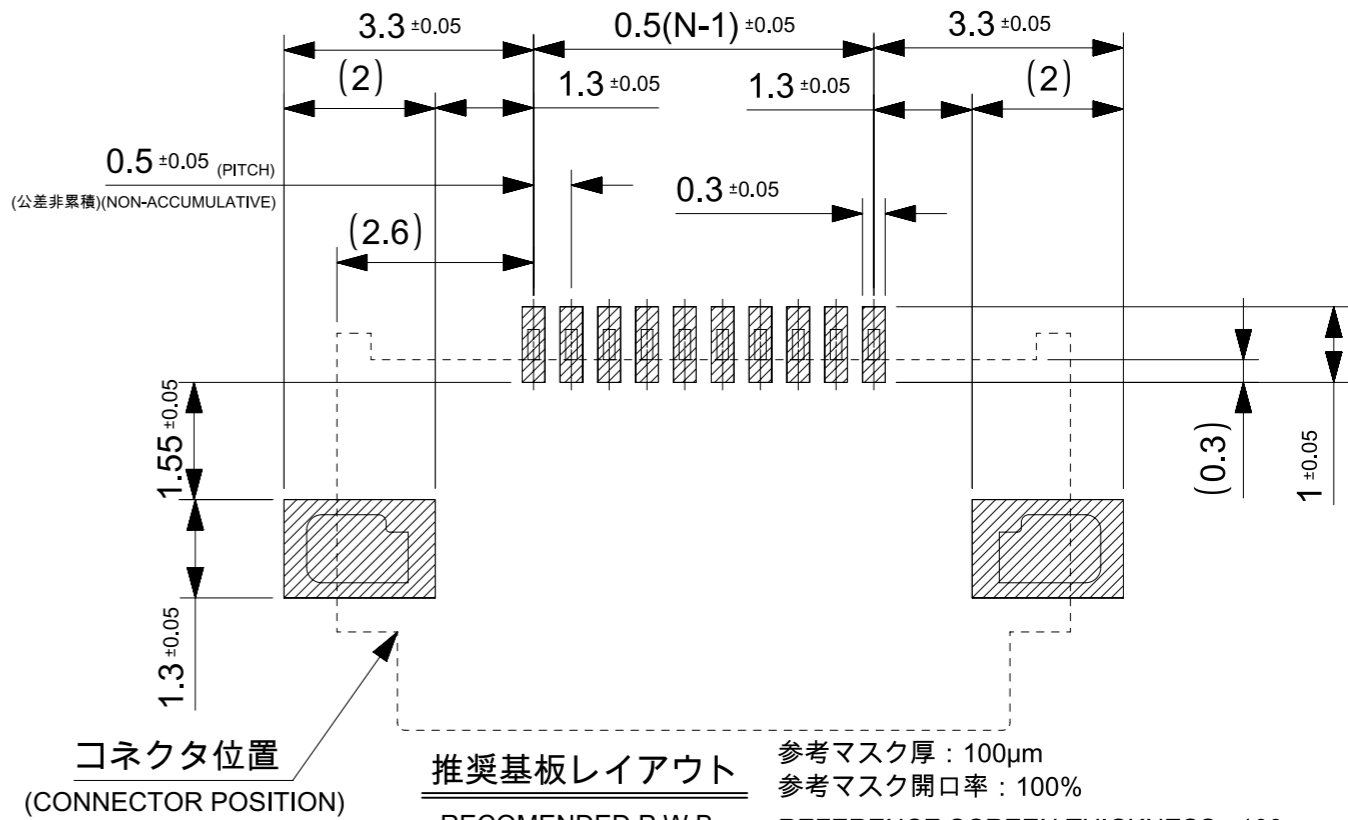
7.ELV及びRoHS適合品
 ELV AND RoHS COMPLIANT

8.テールと金具を併せた平坦度は0.1以下とする。
 TAILS AND NAILS COPLANALITY TO BE 0.1 MAX.

9. トレードマーク :Mプラス2文字の製造工場を示すアルファベットにて表示
 但し,"J"はJAPANを"L"はMALAYSIAを示す。
 (例MXJまたはMXL)

キャビティー番号 :1桁から2桁の数字にて表示
 金型番号 :アルファベット1文字にて表示(例 A,B等)
 TRADEMARK:DISPLAY BY M PLUS 2LETTERS OF ALPHABET WHICH MEAN THE MANUFACTURE.
 BUT "J" MEANS JAPAN. "L" MEANS MALAYSIA (TO TRADE MARK)
 (e.g. MXJ OR MXL)
 AND BY 1 OR 2 DIGIT NUMBER (TO CAVITY NO.)
 AND BY 1 LETTER OF ALPHABET (TO MOLD NO.)
 (e.g. A,B etc)

10. アクチュエータのトレードマーク及び金型番号とキャビティー番号の位置は
 キャビティー番号奇数の時:本図の通り。
 キャビティー番号偶数の時:本図の逆位置に配置。
 POSITION OF TRADE MARK, MOLD & CAVITY NO. ON THE ACTUATOR
 WHEN CAVITY NO. IS ODD :AS DROWING.
 WHEN CAVITY NO. IS EVEN :REVERCE OF DROWING.



FPC/FFCについて ABOUT FFC

打ち抜き方向は導体側から補強板側を推奨します。
 導体部については軟箔銅35μmまたは50μmを推奨します。
 FFCに規定された定格温度がFFC単体前提である場合が御座います。
 コネクタと組み合わせての実使用において、接着層が劣化するなどの信頼性を満足できないケースを回避するため、
 実機での評価/確認をお願いいたします。
 RECOMMENDED PUNCHING DIRECTION : FROM CONDUCTOR SIDE TO STIFFENER SIDE
 RECOMMENDED CONDUCTOR SPEC : SOFT COPPER FOIL
 RECOMMENDED CONDUCTOR THICKNESS : 35 MICROMETER OR 50 MICROMETER
 NOTE: WHEN ACTUALLY USING IT WITH CONNECTOR, PLEASE DO THE EVALUATION AND THE CONFIRMATION WITH AN ACTUAL EQUIPMENT TO EVADE THE CASE WHERE RELIABILITY CANNOT BE FILLED (THE ADHESIVE LINE OF FFC IS DETERIORATED ETC.)

FPCについて ABOUT FPC

補強フィルム材質はポリイミドを推奨します。ベースフィルムは25μmを推奨します。
 接着剤は熱硬化接着剤を推奨します。
 尚、接着剤の接点部への付着は導通不良の原因になりますので、染み出しが無い様お願い致します。
 RECOMMENDED MATERIAL/THICKNESS.
 RECOMMENDED STIFFENER MATERIAL: POLYIMIDE
 RECOMMENDED BASE FILM THICKNESS: 25 MICROMETER
 RECOMMENDED ADHESIVE: THERMOSETTING ADHESIVE
 NOTE: PLEASE PUT APPROPRIATE AMOUNT OF ADHESIVE ON ADHEREND BECAUSE THERE IS A POSSIBILITY THAT THE EXTRA ADHESIVE CAUSES THE DEFECT IN ELECTRICAL CONTINUITY.
 THERE IS A POSSIBILITY THAT THE PRESCRIPT TEMPERATURE OF FFC IS SET TO SINGLE IT.

| THIS DRAWING CONTAINS INFORMATION THAT IS PROPRIETARY TO MOLEX INCORPORATED AND SHOULD NOT BE USED WITHOUT WRITTEN PERMISSION | | | | | | | | | | |
|---|-------------------|----------|----------|----------|-----------------|--|-----------------|---|------------------------|--------------|
| REVISED | EC NO: 100298 | 03/27/15 | 03/27/15 | 03/27/15 | QUALITY SYMBOLS | GENERAL TOLERANCES (UNLESS SPECIFIED) | | DIMENSION UNITS | SCALE | |
| | DRWN: TMORISHITA | | | | | | MM | 10:1 | | |
| | CHK'D: KTAKAHASHI | | | | | ANGULAR TOL ± 1.0 ° | DRWN BY | DATE | | |
| | APPR: YNOGAWA | | | | | 4 PLACES ± 0.2 | TMORISHITA | 02/09/15 | | |
| | | | | | | 3 PLACES ± 0.2 | CHK'D BY | DATE | | |
| | | | | | | 2 PLACES ± 0.2 | KTAKAHASHI | 02/12/15 | | |
| | | | | | | 1 PLACE ± 0.25 | APPR BY | DATE | | |
| | | | | | | 0 PLACES ± 0.3 | YNOGAWA | 02/12/15 | | |
| | | | | | | DRAFT WHERE APPLICABLE MUST REMAIN WITHIN DIMENSIONS | | DRAWING SIZE | THIRD ANGLE PROJECTION | |
| | | | | | | | | A3 | | |
| | | | | | | | | molex | | |
| | | | | | | | | 0.5 FFC CONN ZIF E/O BTM CONT TYPE ASSY | | |
| | | | | | | | | PRODUCT CUSTOMER DRAWING | | |
| | | | | | | SERIES | MATERIAL NUMBER | CUSTOMER | | |
| | | | | | | 505278 | SEE SHEET 1 | | | |
| | | | | | | DOCUMENT NUMBER | | DOC TYPE | DOC PART | SHEET NUMBER |
| | | | | | | 5052781000 | | PSD | 000 | 3 OF 3 |