

NOTES:

1. MATERIALS:

HOUSING: LCP, GLASS FILLED, UL94V-0. COLOR : BLACK  
 TERMINALS: COPPER ALLOY  
 SMT TAB: COPPER ALLOY

2. FINISHES:

TERMINAL CONTACT:  
 0.76µm MIN GOLD ON CONTACTS OVER 1.27µm MIN NICKEL UNDERPLATE.  
 TERMINAL SOLDER TAIL:  
 2.54µm MIN TIN OVER 1.27µm MIN NICKEL UNDERPLATE.  
 SMT TAB:  
 2.54µm MIN TIN OVER 1.27µm MIN NICKEL UNDERPLATE.

3. PRODUCT SPECIFICATION: PS-78728-001

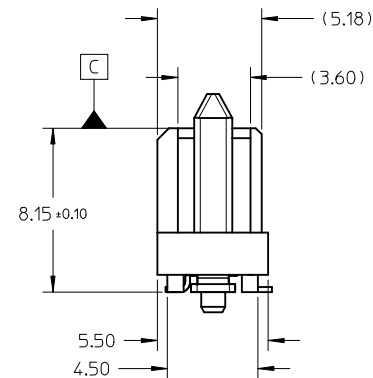
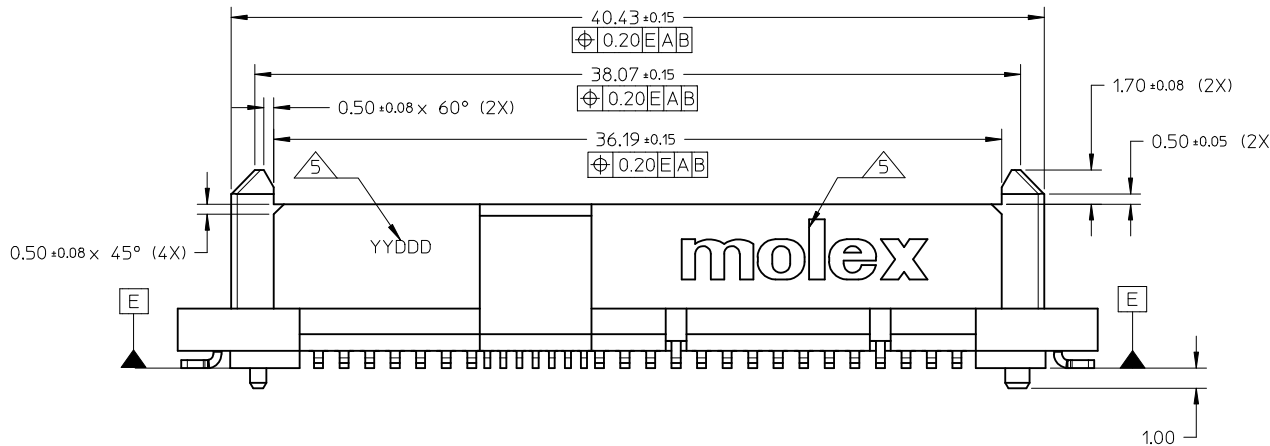
4. PACKAGING SPECIFICATION: SEE TABLE

5. MOLEX LOGO, CAVITY ID AND DATE CODE TO BE LOCATED APPROXIMATELY AS SHOWN.

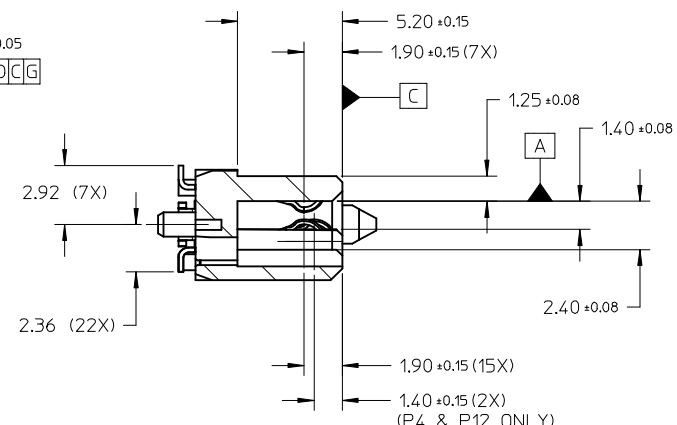
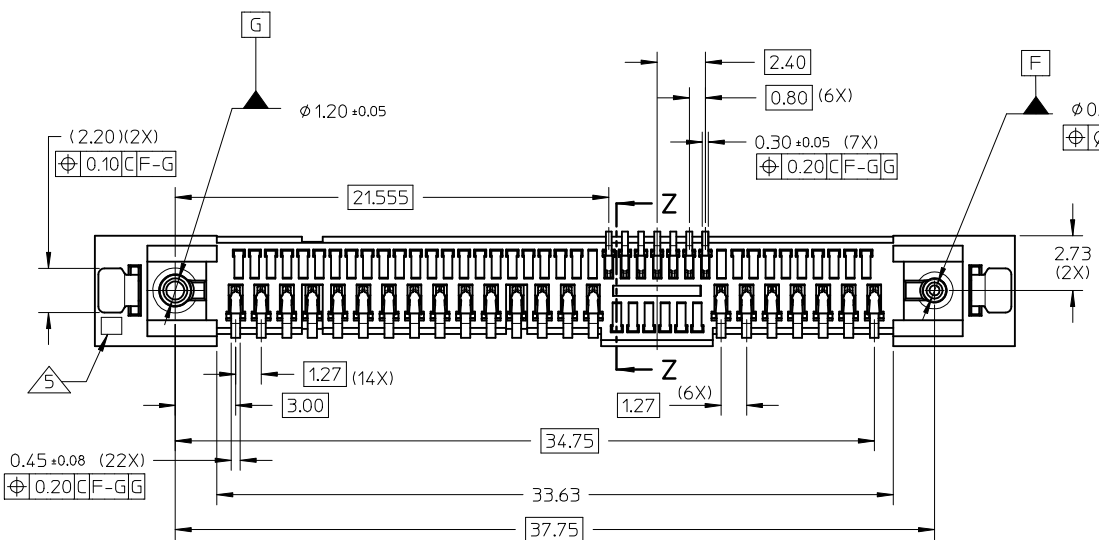
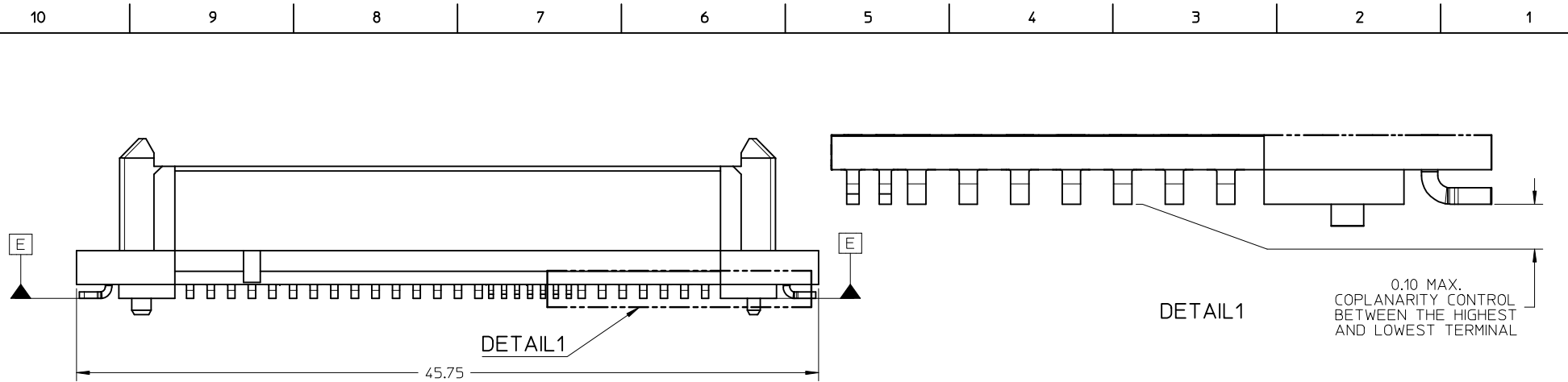
6. NON FUNCTIONAL CORE HOLE MAY VARY

7. PRODUCT IS COMPLIANT TO RoHS DIRECTIVE WITH THE FOLLOWING BANNED SUBSTANCES - LEAD, MERCURY, CADMIUM, HEXAVALENT CHROMIUM, POLYBROMINATED BIPHENYLS AND POLYBROMINATED DIPHENYL ETHERS.

8. REFER TO AS-78728-001 FOR PCB ROUTING RECOMMENDATIONS.



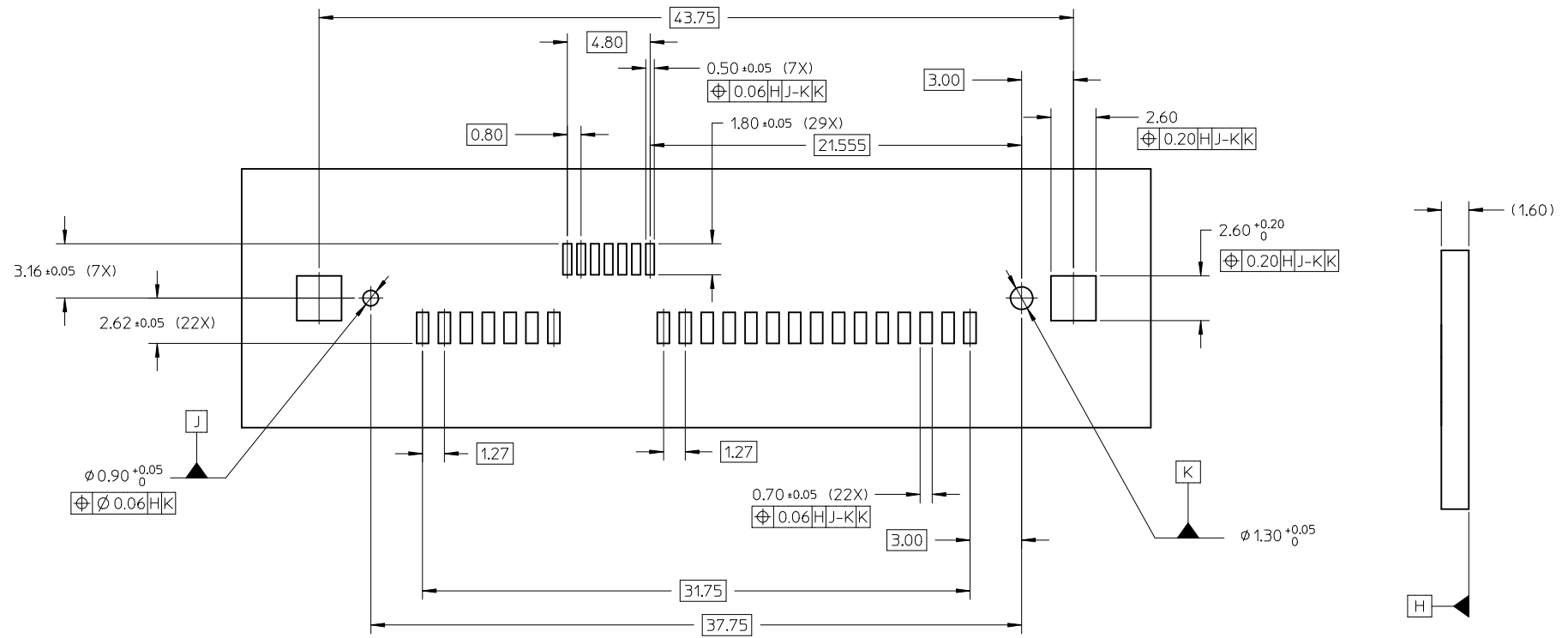
ADDED SHT 4 EC NO: S2016-0010 DRWN: SHONG 2015/02/04 CHKD: CWANG25 2015/07/24 APPR: SHONG 2015/07/24	QUALITY SYMBOLS $F_A=0$ $F_G=0$ $F_P=0$	GENERAL TOLERANCES (UNLESS SPECIFIED)		DIMENSION STYLE <b>MM ONLY</b>		SCALE <b>NTS</b>	DESIGN UNITS <b>METRIC</b>	THIRD ANGLE PROJECTION		
			mm	INCH	DRAWN BY CGOH	DATE 2011/09/30	TITLE			
		4 PLACES	± ---	± ---	CHECKED BY SCHEONG	DATE 2011/10/25	<b>SERIAL ATTACH SCSI          STD HEIGHT BACKPLANE SMT          RECEPTACLE</b>  <b>molex</b>			
		3 PLACES	± ---	± ---	APPROVED BY BOKOK	DATE 2011/10/25				
2 PLACES	± 0.20	± ---	MATERIAL NO.		DOCUMENT NO.					
1 PLACE	± ---	± ---	SEE TABLE		SD-78728-001					
0 PLACE	±	±	ANGULAR ± 3 °		SHEET NO.					
DRAFT WHERE APPLICABLE MUST REMAIN WITHIN DIMENSIONS		SIZE A3		THIS DRAWING CONTAINS INFORMATION THAT IS PROPRIETARY TO MOLEX INCORPORATED AND SHOULD NOT BE USED WITHOUT WRITTEN PERMISSION						



SECTION Z-Z

ADDED SHT 4 EC NO: S2016-0010 DRWN: SHONG CHKD: CWANG25 APPR: SHONG	2015/02/04 2015/07/24 2015/07/24	DESCRIPTION REV	QUALITY SYMBOLS	GENERAL TOLERANCES (UNLESS SPECIFIED)	DIMENSION STYLE	SCALE	DESIGN UNITS	THIRD ANGLE PROJECTION																		
			$\nabla_F = 0$ $\nabla_E = 0$ $\nabla_P = 0$	<table border="1"> <thead> <tr> <th></th> <th>mm</th> <th>INCH</th> </tr> </thead> <tbody> <tr> <td>4 PLACES</td> <td>± ---</td> <td>± ---</td> </tr> <tr> <td>3 PLACES</td> <td>± ---</td> <td>± ---</td> </tr> <tr> <td>2 PLACES</td> <td>± 0.20</td> <td>± ---</td> </tr> <tr> <td>1 PLACE</td> <td>± ---</td> <td>± ---</td> </tr> <tr> <td>0 PLACE</td> <td>±</td> <td>±</td> </tr> </tbody> </table>		mm	INCH	4 PLACES	± ---	± ---	3 PLACES	± ---	± ---	2 PLACES	± 0.20	± ---	1 PLACE	± ---	± ---	0 PLACE	±	±	MM ONLY	NTS	METRIC	
				mm	INCH																					
			4 PLACES	± ---	± ---																					
3 PLACES	± ---	± ---																								
2 PLACES	± 0.20	± ---																								
1 PLACE	± ---	± ---																								
0 PLACE	±	±																								
	ANGULAR ± 3 °	DRAWN BY CGOH	DATE 2011/09/30	TITLE SERIAL ATTACH SCSI STD HEIGHT BACKPLANE SMT RECEPTACLE																						
A1			DRAFT WHERE APPLICABLE MUST REMAIN WITHIN DIMENSIONS	SEE TABLE	APPROVED BY BOKOK	DATE 2011/10/25	<b>molex</b> DOCUMENT NO. SD-78728-001																			

PART NO	PICK & PLACE CAP	PACKAGING	PACKAGING SPECIFICATION
78728-0001	YES	TRAY	PK-78728-001
78728-0002		TAPE & REEL	PK-78728-003



CONNECTOR OUTLINE  
 RECOMMENDED PCB LAYOUT  
 THICKNESS : 1.60 ± 0.10

ADDED SHT 4 IEC NO: S2016-0010 DRWN: SHONG 2015/02/04 CH'KD: GWANG25 2015/07/24 APPR: SHONG 2015/07/24	QUALITY SYMBOLS	GENERAL TOLERANCES (UNLESS SPECIFIED)		DIMENSION STYLE	SCALE	DESIGN UNITS	THIRD ANGLE PROJECTION	
	$\nabla_F = 0$ $\nabla_E = 0$ $\nabla_A = 0$	4 PLACES ± --- ± --- 3 PLACES ± --- ± --- 2 PLACES ± 0.20 ± --- 1 PLACE ± --- ± --- 0 PLACE ± ±	mm INCH ± --- ± --- ± 0.20 ± --- ± --- ± --- ± ±	DRAWN BY CGOH CHECKED BY SCHEONG APPROVED BY BOKOK MATERIAL NO.	DATE 2011/09/30 DATE 2011/10/25 DATE 2011/10/25	NTS TITLE	METRIC SERIAL ATTACH SCSI STD HEIGHT BACKPLANE SMT RECEPTACLE	MOLEX DOCUMENT NO. SD-78728-001 SHEET NO. 3 OF 4
		ANGULAR ± 3 ° DRAFT WHERE APPLICABLE MUST REMAIN WITHIN DIMENSIONS		SEE TABLE THIS DRAWING CONTAINS INFORMATION THAT IS PROPRIETARY TO MOLEX INCORPORATED AND SHOULD NOT BE USED WITHOUT WRITTEN PERMISSION				
	A1	REV	6	5	4	3	2	1

10 9 8 7 6 5 4 3 2 1

F

E

D

C

B

A

F

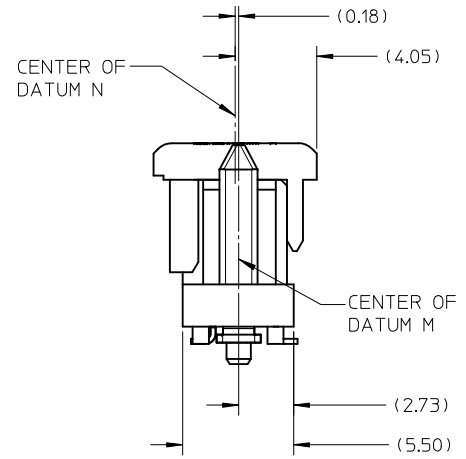
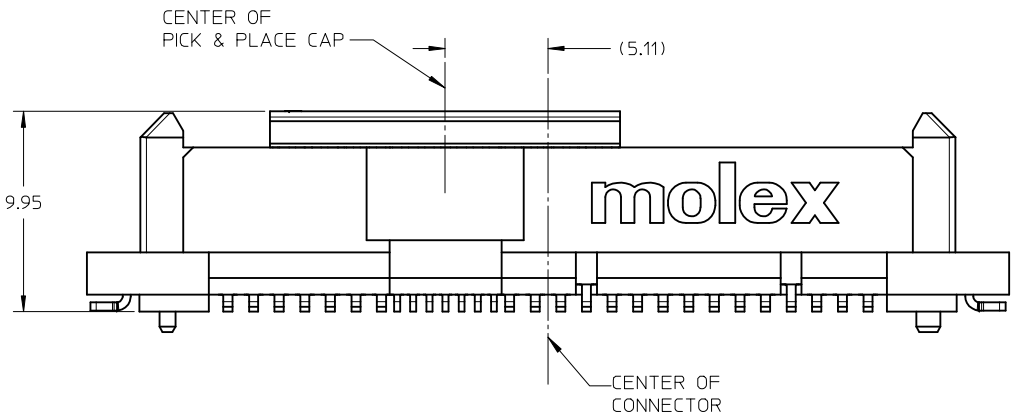
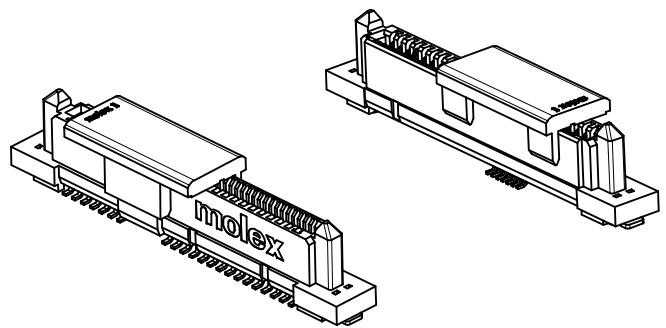
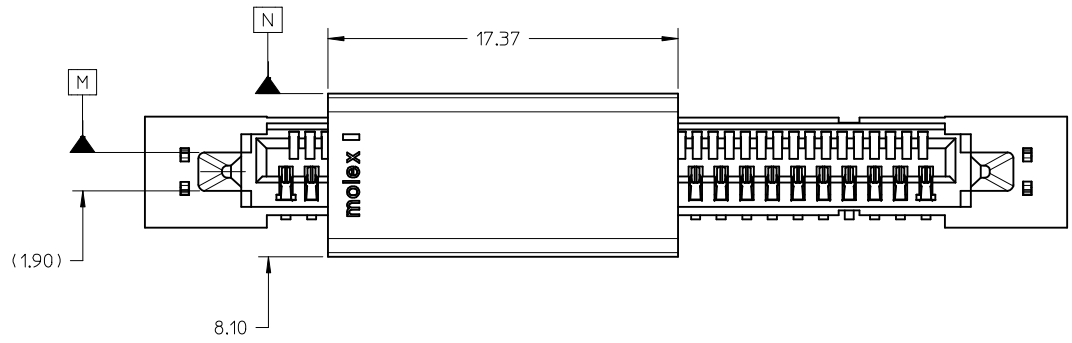
E

D

C

B

A



ADDED SHT 4 EC NO: S2016-0010 DRWN: SHONG 2015/02/04 CHKD: CWANG25 2015/07/24 APPR: SHONG 2015/07/24	QUALITY SYMBOLS	GENERAL TOLERANCES (UNLESS SPECIFIED)		DIMENSION STYLE	SCALE	DESIGN UNITS	THIRD ANGLE PROJECTION
	$F_A=0$	mm	INCH	MM ONLY	NTS	METRIC	
	$F_G=0$	4 PLACES ± --- ± ---	3 PLACES ± --- ± ---	DRAWN BY	DATE	TITLE	
	$F_P=0$	2 PLACES ± 0.20 ± ---	1 PLACE ± --- ± ---	CHEKED BY	DATE	SERIAL ATTACH SCSI STD HEIGHT BACKPLANE SMT RECEPTACLE	
	0 PLACE ± ±	ANGULAR ± 3 °	DRAFT WHERE APPLICABLE MUST REMAIN WITHIN DIMENSIONS	APPROVED BY	DATE	molex	
A1	REV	SIZE	SEE TABLE		MATERIAL NO.	DOCUMENT NO.	SHEET NO.
		A3	THIS DRAWING CONTAINS INFORMATION THAT IS PROPRIETARY TO MOLEX INCORPORATED AND SHOULD NOT BE USED WITHOUT WRITTEN PERMISSION			SD-78728-001	4 OF 4

9 8 7 6 5 4 3 2 1