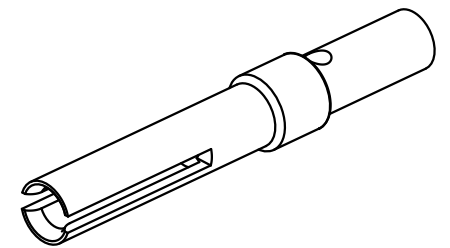
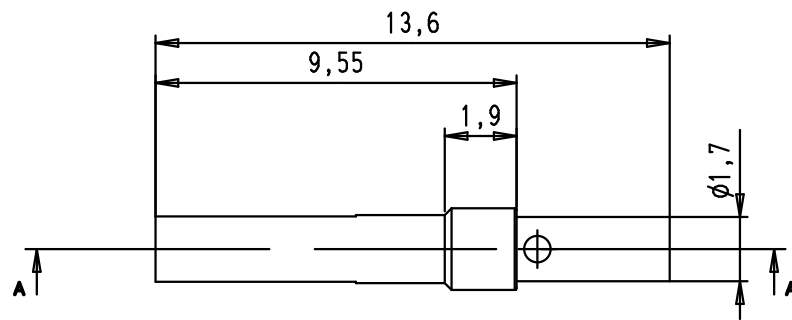
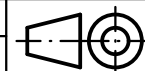


Crimping of AWG 22-26 : hand tool 09 99 000 0501
and locator 09 99 000 0531



Mod.	Mat.	Name	Det.	Name
			Detail.	12apr2010 LP
			Insp.	07/11/11 JB
			Stand.	
			EC04018	07/11/11 SD
			EC01739	29apr2010 LP
			EC01656	12apr2010 LP
HARTING EURL F-95972 Paris				



All Dim. in mm
Orig. Size DIN A 4

D-Sub AWG 22-26
female turned crimp contact

Maßstab/
Scale

5/1

TB09 67 000 547x

Sub.

Blatt/ Page

1/1

D
C
B
A

5000	09 67 000 5476 580	PL1
100	09 67 000 5476	PL1
Bulk packaging	Part number	Gold plating (over nickel)