

Precision, Hall-Effect Angle Sensor IC with SPI, and SENT or PWM Outputs

FEATURES AND BENEFITS

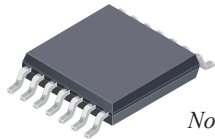
- Contactless 0° to 360° angle sensor IC, for angular position and rotation direction measurement
 - Circular Vertical Hall (CVH) technology provides a single-channel sensor system, with air gap independence
- 12-bit resolution possible in Low RPM mode, 10-bit resolution in High RPM mode
- Angle Refresh Rate (output rate) configurable between 25 and 3200 μ s through EEPROM programming
 - Capable of sensing magnetic rotational speeds up to 7600 rpm, and up to 30,000 rpm with reduced accuracy
- SPI, and SENT (Single Edge Nibble Transmission) or PWM (Pulse-Width Modulation)*

Continued on the next page...

PACKAGES:

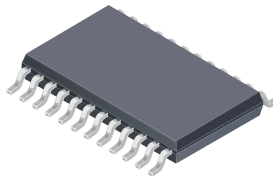
14-pin TSSOP (Suffix LE)

24-pin TSSOP (Suffix LE)



Not to scale

Single SoC



Dual Independent SoCs

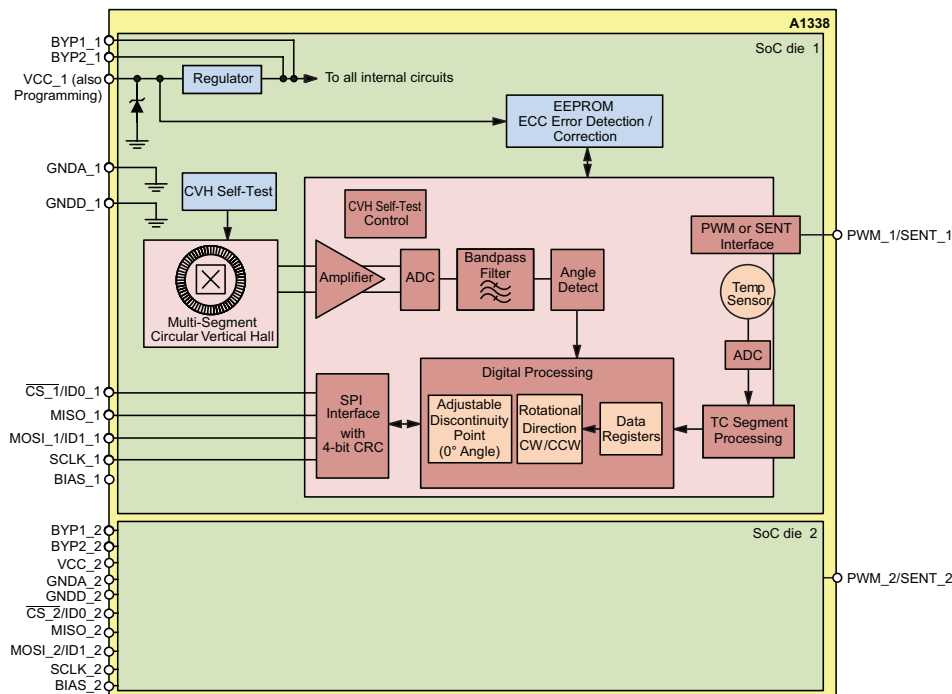
DESCRIPTION

The A1338 is a 0° to 360° angle sensor IC that provides contactless high-resolution angular position information based on magnetic Circular Vertical Hall (CVH) technology. It has a “System on Chip” (SoC) architecture that includes: a CVH front end, digital signal processing, digital SPI, and SENT or PWM outputs. It also includes on-chip EEPROM technology, capable of supporting up to 100 read/write cycles, for flexible end of line programming of calibration and configuration parameters. The A1338 is ideal for automotive applications requiring 0° to 360° angle measurements, such as electronic power steering (EPS), seatbelt motor position systems, rotary PRNDLs, and throttle systems.

The A1338 was designed with safety critical application requirements in mind. It includes user controlled on-chip logic built-in self-test (L-BIST) and full signal path diagnostics to enable customers to determine if the IC is operating in a proper manner.

The A1338 supports a Low RPM mode for slower rate applications and a High RPM mode for high-speed applications. High RPM mode is for applications that require higher refresh rates to minimize error due to latency. Low RPM mode is for applications that require higher resolution operating at lower angular velocities.

The A1338 is available in single-die 14-pin TSSOP and a dual-die 24-pin TSSOP. Both packages are lead (Pb) free with 100% matte-tin leadframe plating.



A1338 Magnetic Circuit and IC Diagram

FEATURES AND BENEFITS (continued)

- SPI interface provides a robust communication protocol for fast angle readings*
- SENT output supports four modes: SAEJ2716 (JAN2010) and Allegro proprietary options of Triggered SENT (TSENT), Sequential SENT (SSENT), and Addressable SENT (ASENT)*
- Programmable via Manchester Encoding on the VCC line, reducing external wiring*
- SPI and SENT interfaces allows use of multiple independent sensors for applications requiring redundancy*
- Advanced diagnostics to support safety-critical applications, including:
 - On-chip, user-controlled logic built-in self-test (L-BIST) and signal path diagnostics
 - 4-bit CRC on SPI messages
 - User-Programmable Missing Magnet Error flag for notifying controller of low magnetic field level
- Diagnostics are initiated over the SPI or SENT interface and can directly test proper operation of the IC in safety-critical applications
- EEPROM with Error Correction Control (ECC) configuration, sensor calibration including end-of line adjustments like programmable angle reference (0°) position and rotation direction (CW or CCW)
- Available in both single-die and dual-die configurations
 - Dual-die devices contain two independent die housed within a single package
- Absolute maximum V_{CC} of 26.5 V for increased robustness and direct connection to automotive vehicle battery

* See Selection Guide for more details.



SELECTION GUIDE

Part Number	System Die	Output Protocols	Package	Packing [1]
A1338LLETR-DD-T	Dual	SPI and SENT	24-pin TSSOP	4000 pieces per 13-in. reel
A1338LLETR-P-DD-T [2]	Dual	SPI and PWM	24-pin TSSOP	4000 pieces per 13-in. reel
A1338LLETR-T	Single	SPI and SENT	14-pin TSSOP	4000 pieces per 13-in. reel
A1338LLETR-P-T [2]	Single	SPI and PWM	14-pin TSSOP	4000 pieces per 13-in. reel

¹ Contact Allegro™ for additional packing options.

² Future product. Contact Allegro for availability.

Table of Contents

Features and Benefits	1	Manchester Serial Interface	12
Description	1	Entering Manchester Communication Mode	12
Packages	1	Transaction Types	12
A1338 Magnetic Circuit and IC Diagram	1	Writing to EEPROM	12
Selection Guide	2	Manchester Interface Reference	13
Specifications	4	SENT Output Mode	14
Absolute Maximum Ratings	4	Diagnostics	17
Thermal Characteristics	4	Application Information	22
Typical Application Diagram	4	Serial Interface Description	22
Pinout Diagrams and Terminal List	5	Calculating Target Zero-Degree Angle	22
Functional Block Diagram	6	Bypass Pins Usage	22
Operating Characteristics	7	Changing Sampling Modes	23
Functional Description	10	Magnetic Target Requirements	23
Overview	10	Redundant Applications and Alignment Error	24
Angle Measurement	10	System Timing and Error	24
Programming Modes	11	Characteristic Performance Data	25
SPI System-Level Timing	11	EMC Reduction	27
Power-Up	11	Package Outline Drawings	28
PWM Output (“-P” option)	11		

SPECIFICATIONS

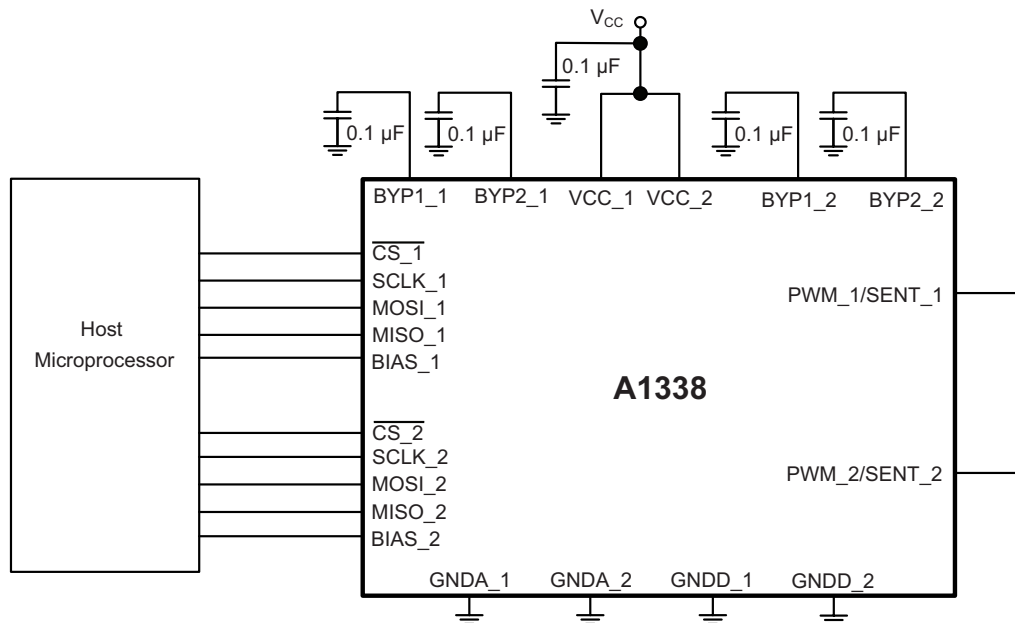
ABSOLUTE MAXIMUM RATINGS

Characteristic	Symbol	Notes	Rating	Unit
Forward Supply Voltage	V_{CC}	Not sampling angles	26.5	V
Reverse Supply Voltage	V_{RCC}	Not sampling angles	-18	V
All Other Pins Forward Voltage	V_{IN}		5.5	V
All Other Pins Reverse Voltage	V_R		0.5	V
Operating Ambient Temperature	T_A	L range	-40 to 150	°C
Maximum Junction Temperature	$T_{J(max)}$		165	°C
Storage Temperature	T_{stg}		-65 to 170	°C

THERMAL CHARACTERISTICS: May require derating at maximum conditions; see application information

Characteristic	Symbol	Test Conditions [1]	Value	Unit
Package Thermal Resistance	$R_{\theta JA}$	LE-24 package	117	°C/W
		LE-14 package	82	°C/W

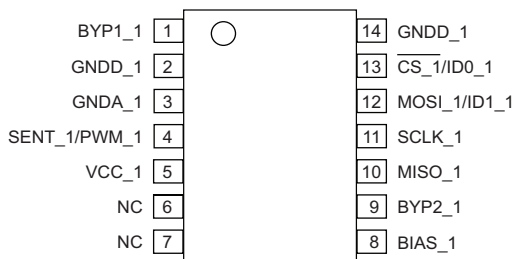
¹ Additional thermal information available on the Allegro website.



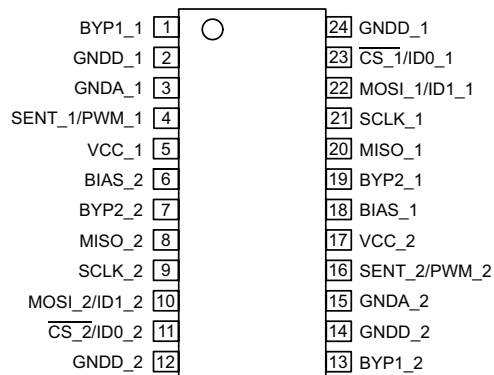
Typical Application Diagram (dual-die version)

Either or both internal SoCs can be operated simultaneously.
(See “EMC Reduction” Section for application circuits that require a higher level of EMC immunity.)

PINOUT DIAGRAMS AND TERMINAL LIST



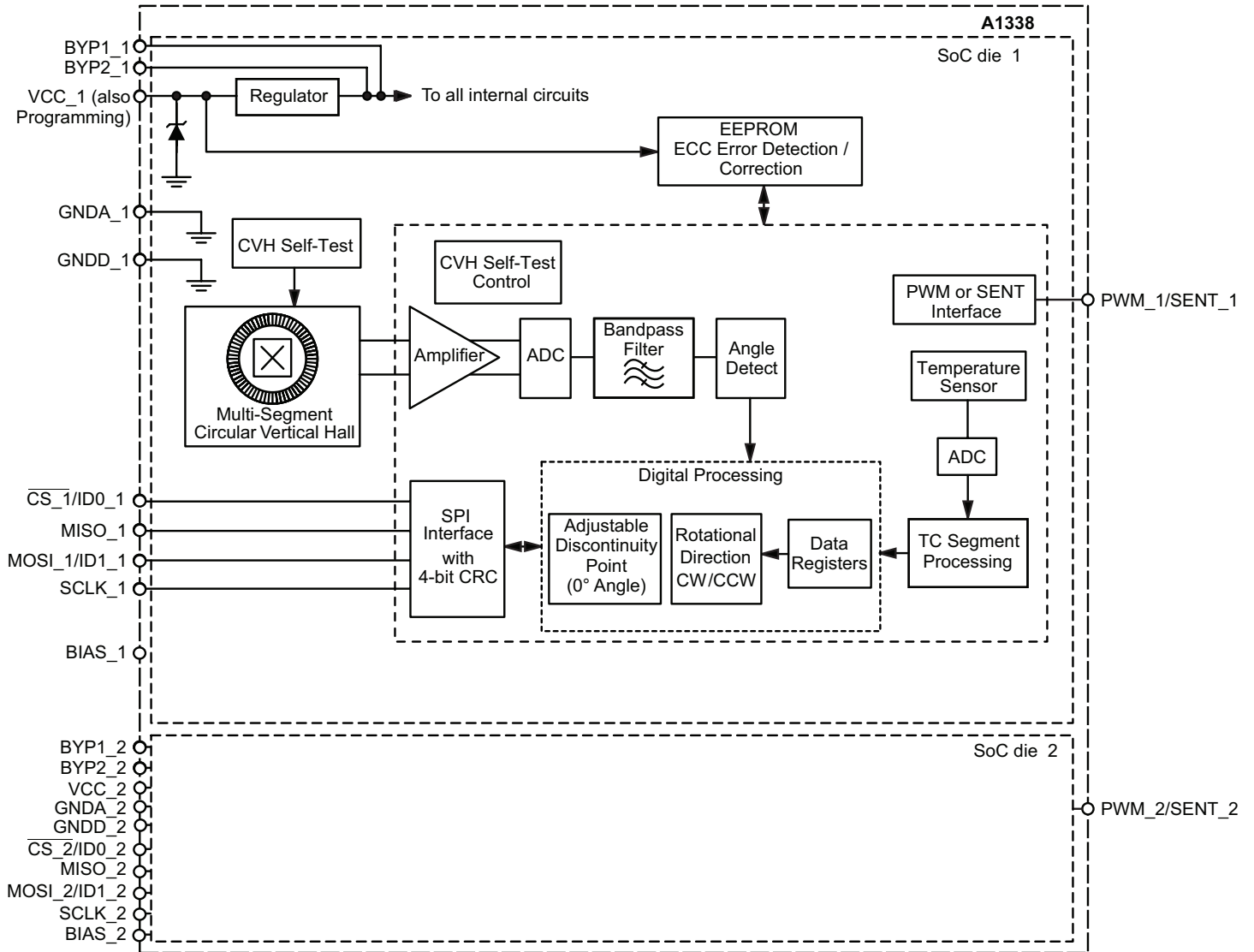
14-Pin TSSOP LE Package Pinouts



24-Pin TSSOP LE Package Pinouts

Terminal List Table

Pin Name	Pin Number		Function
	LE-14	LE-24	
BYP1_1	1	1	External Bypass Capacitor Terminal for Internal Regulator (die 1)
BYP2_1	9	19	External Bypass Capacitor Terminal for Internal Regulator (die 1)
BYP1_2	–	13	External Bypass Capacitor Terminal for Internal Regulator (die 2)
BYP2_2	–	7	External Bypass Capacitor Terminal for Internal Regulator (die 2)
$\overline{CS}_1/ID0_1$	13	23	Option 1: SPI Chip Select Terminal, Active Low Input(die 1) Option 2: ID0 bit to indicate Slave Address for SSENT or ASENT communication modes only (die 1)
$\overline{CS}_2/ID0_2$	–	11	Option 1: SPI Chip Select Terminal, Active Low Input(die 2) Option 2: ID0 bit to indicate Slave Address for SSENT or ASENT communication modes only (die 2)
GNDA_1	3	3	Device Analog Ground Terminal (die 1)
GNDA_2	–	15	Device Analog Ground Terminal (die 2)
GNDD_1	2, 14	2, 24	Device Digital Ground Terminal (die 1)
GNDD_2	–	12, 14	Device Digital Ground Terminal (die 2)
MISO_1	10	20	SPI Master Input/Slave Output (die 1)
MISO_2	–	8	SPI Master Input/Slave Output (die 2)
MOSI_1/ID1_1	12	22	Option 1: SPI Master Output Slave Input (die 1) Option 2: ID1 bit to indicate Slave Address for SSENT or ASENT communication modes only. (die 1)
MOSI_2/ID1_2	–	10	Option 1: SPI Master Output Slave Input (die 2) Option 2: ID1 bit to indicate Slave Address for SSENT or ASENT communication modes only. (die 2)
SCLK_1	11	21	SPI Clock Terminal (die 1)
SCLK_2	–	9	SPI Clock Terminal (die 2)
SENT_1/PWM_1	4	4	SENT Output (Die1); PWM Output (Die1); SENT for A1338LLETR-DD-T, A1338LLETR-T; PWM for A1338LLETR-P-DD-T, A1338LLETR-P-T
SENT_2/PWM_2	–	16	SENT Output (Die2); PWM Output (Die2); SENT for A1338LLETR-DD-T, A1338LLETR-T; PWM for A1338LLETR-P-DD-T, A1338LLETR-P-T
BIAS_1	8	18	Bias Connection; connect to ground or pull up to 3.3 V (die 1)
VCC_1	5	5	Power Supply (die 1); also used for EEPROM Programming
VCC_2	–	17	Power Supply (die 2); also used for EEPROM Programming
BIAS_2	–	6	Bias Connection; connect to ground or pull up to 3.3 V (die 2)
NC	6, 7	–	Not internally connected; tie to GNDD



Functional Block Diagram

OPERATING CHARACTERISTICS: Valid over the full operating voltage and ambient temperature ranges, unless otherwise noted

Characteristics	Symbol	Test Conditions	Min.	Typ. [1]	Max.	Unit [2]
ELECTRICAL CHARACTERISTICS						
Supply Voltage	V_{CC}		3.7	–	16	V
Supply Current	I_{CC}	Each die, $T_A = 150^\circ\text{C}$	–	8.25	10	mA
Undervoltage Lockout Threshold Voltage [3]	V_{UVLOHI}	Maximum V_{CC} , $dV/dt = 1\text{V/ms}$, $T_A = 25^\circ\text{C}$	–	–	3.6	V
	$V_{UVLOLOW}$	Maximum V_{CC} , $dV/dt = 1\text{V/ms}$, $T_A = 25^\circ\text{C}$	2.9	–	–	V
VCC Low Flag Threshold [4]	V_{UVLOTH}		3.5	–	3.9	V
Supply Zener Clamp Voltage	V_{ZSUP}	$I_{CC} = I_{CC(AWAKE)} + 3\text{ mA}$, $T_A = 25^\circ\text{C}$	26.5	40	–	V
Reverse-Battery Current	I_{RCC}	$V_{RCC} = -18\text{ V}$, $T_A = 25^\circ\text{C}$	–5	–	0	mA
Power-On Time [5]	t_{PO}		–	300	–	μs
Bypass1 Pin Output Voltage [6]	V_{BYP1}	$T_A = 25^\circ\text{C}$, $C_{BYP} = 0.1\text{ }\mu\text{F}$	2.5	2.7	2.9	V
Bypass2 Pin Output Voltage [6]	V_{BYP2}	$T_A = 25^\circ\text{C}$, $C_{BYP} = 0.1\text{ }\mu\text{F}$	2.9	3.1	3.3	V
WAKEx INPUT SPECIFICATIONS						
WAKE Enable High Threshold Voltage	$V_{WAKE(HITH)}$		–	240	–	mV
WAKE Enable Low Threshold Voltage	$V_{WAKE(LOTH)}$		–	120	–	mV
WAKE Input Resistance	R_{WAKE}		–	1	–	$\text{M}\Omega$
SPI INTERFACE SPECIFICATIONS						
Digital Input High Voltage [8]	V_{IH}	MISOx, SCLKx, $\overline{\text{CSx}}$ pins	2.4	–	5.5	V
Digital Input Low Voltage [8]	V_{IL}	MISOx, SCLKx, $\overline{\text{CSx}}$ pins	–	–	0.5	V
CSx Pin Input Bias Current	I_{BIAS}	$V_{CSx} = 3.3\text{ V}$	–	15	–	μA
SPI Output High Voltage 1	V_{OH1}	MISOx pins, $C_L = 20\text{ pF}$, $T_A = 25^\circ\text{C}$, $C_{BYP1} = 0.1\text{ }\mu\text{F}$, C_{BYP2} grounded	2.5	2.7	2.9	V
SPI Output High Voltage 2	V_{OH2}	MISOx pins, $C_L = 20\text{ pF}$, $T_A = 25^\circ\text{C}$, $C_{BYP1} = 0.1\text{ }\mu\text{F}$, $C_{BYP2} = 0.1\text{ }\mu\text{F}$	2.9	3.1	3.3	V
SPI Output Low Voltage	V_{OL}	MISOx pins, $C_L = 20\text{ pF}$	–	0.3	–	V
SPI Clock Frequency [7]	f_{SCLK}	MISOx pins, $C_L = 20\text{ pF}$	0.1	–	10	MHz
SPI Clock Duty Cycle [7]	D_{fSCLK}	SPICLK _{DC} , 5 V compliant	40	–	60	%
SPI Frame Rate [7]	t_{SPI}	5 V compliant	5.8	–	588	kHz
Chip-Select to First SCLK Edge [8]	t_{CS}	Time from $\overline{\text{CSx}}$ going low to SCLKx falling edge	50	–	–	ns
Data Output Valid Time [8]	t_{DAV}	Data output valid after SCLKx falling edge	–	–	40	ns
MOSI Setup Time [8]	t_{SU}	Input setup time before SCLKx rising edge	25	–	–	ns
MOSI Hold Time [8]	t_{HD}	Input hold time after SCLKx rising edge	50	–	–	ns
SCLK to CS Hold Time [8]	t_{CHD}	Hold SCLKx high time before $\overline{\text{CSx}}$ rising edge	5	–	–	ns
Capacitive Load [9]	C_L	Loading on digital output (MISOx) pin with SPI Clock Frequency = 10 MHz	–	–	20	pF

Continued on the next page...

OPERATING CHARACTERISTICS (continued): Valid over the full operating voltage and ambient temperature ranges, unless otherwise noted

Characteristics	Symbol	Test Conditions	Min.	Typ. [1]	Max.	Unit [2]
PWM INTERFACE SPECIFICATIONS (A1338LLETR-P-DD-T and A1338LLETR-P-T variants only)						
PWM Carrier Frequency [10]	f_{PWM}	PWM Frequency Code = 00, T_A in specification	–	122	–	Hz
		PWM Frequency Code = 01, T_A in specification	–	1.024	–	kHz
		PWM Frequency Code = 10, T_A in specification	–	2.048	–	kHz
PWM Duty Cycle Minimum	$D_{PWM(min)}$		–	5	–	%
PWM Duty Cycle Maximum	$D_{PWM(max)}$		–	95	–	%
PWM Output Signal [8]	$V_{PWM(L)}$	$10\text{ k}\Omega \leq R_{pullup} \leq 50\text{ k}\Omega$	–	–	0.1	V
	$V_{PWM(H)}$	Minimum $R_{pullup} = 10\text{ k}\Omega$	0.9×5	–	–	V
		Maximum $R_{pullup} = 50\text{ k}\Omega$	0.7×5	–	–	V
Maximum Sink Current	I_{LIMIT}	Output FET on, $T_A = 25^\circ\text{C}$	–	30	–	mA
SENT PROTOCOL SPECIFICATIONS (A1338LLETR-DD-T and A1338LLETR-T variants only)						
SENT Message Duration	t_{CVHST}	Tick time = 3 μs	–	–	1	ms
Minimum Programmable SENT Message Duration	$t_{SENTMIN}$	Tick time = 0.5 μs , 3 data nibbles, SCN, and CRC, nibble length = 27 ticks	–	96	–	μs
SENT Output Signal [8]	$V_{SENT(L)}$	$10\text{ k}\Omega \leq R_{pullup} \leq 50\text{ k}\Omega$	–	–	0.1	V
	$V_{SENT(H)}$	Minimum $R_{pullup} = 10\text{ k}\Omega$	0.9×5	–	–	V
		Maximum $R_{pullup} = 50\text{ k}\Omega$	0.7×5	–	–	V
SENT Output Trigger Signal	$V_{SENTtrig(L)}$		–	–	1.4	V
	$V_{SENTtrig(H)}$		2.8	–	–	V
Minimum Time Frame for SENT Trigger Signal	$t_{SENTMIN}$	Tick time = 0.5 μs , 3 data nibbles, SCN, and CRC, nibble length = 27 ticks	2	–	–	μs
Triggered Delay Time	t_{dSENT}	From end of trigger pulse to beginning of SENT message frame. TSENT (SENT_MODE 3 and SENT_MODE 4)	–	7	–	tick
Maximum Sink Current	I_{LIMIT}	Output FET on, $T_A = 25^\circ\text{C}$	–	30	–	mA
DIAGNOSTIC SPECIFICATIONS						
CVH Self-Test Time	t_{UI_DIAG}		–	23	–	ms
Logic BIST Coverage vs Time	$t_{LBISTXX}$	90% Coverage	–	10	–	ms
EEPROM PROGRAMMING PULSES						
Pulse High Time	$t_{PULSE(H)}$	Time above minimum pulse voltage	8	10	11	ms
Rise Time	t_r	10% to 90% of minimum pulse level	300	–	–	μs
Fall Time	t_f	10% to 90% of minimum pulse level	60	–	–	μs
Pulse Voltage	V_{PULSE}	Applied on VCC line	18	19	19.5	V
Separation Time	$t_{PULSE(f-r)}$	Timing between first pulse dropping below 6 V and 2 nd pulse rising above 6 V	0.002	–	50	ms

Continued on the next page...

OPERATING CHARACTERISTICS (continued): Valid over the full operating voltage and ambient temperature ranges, unless otherwise noted

Characteristics	Symbol	Test Conditions	Min.	Typ. [1]	Max.	Unit [2]
MAGNETIC CHARACTERISTICS						
Magnetic Field	B	Range of input field	–	–	1500	G _{pp}
ANGLE CHARACTERISTICS						
Digital Output Word Length ^[9]	RES _{ANGLE}		–	12	–	bit
Effective Resolution		B = 300 G, T _A = 25°C, ORATE = 0	–	10.1	–	bit
Angle Refresh Rate ^[11]	t _{ANG}	High RPM mode	–	25	–	µs
		Low RPM mode, AVG = 011 (varies with AVG mode, refer to the appendix <i>Programming Reference</i>)	–	200	–	µs
Response Time	t _{RESPONSE}	Low RPM mode (see Figure 4)	–	60	–	µs
Angle Error	ERR _{ANG}	T _A = 25°C, ideal magnet alignment, B = 300 G, target rpm = 0	–	0.5	–	degrees
		T _A = 150°C, ideal magnet alignment, B = 300 G, target rpm = 0	–1.3	–	1.3	degrees
Angle Noise	N _{ANG}	T _A = 25°C, B = 300 G, 3 sigma noise, no internal filtering	–	0.35	–	degrees
		T _A = 150°C, no internal filtering, B = 300 G, 3 sigma noise, target rpm = 0	–	0.55	–	degrees
Temperature Drift	ANGLE _{DRIFT}	T _A = 150°C, B = 300 G	–1.4	–	1.4	degrees
		T _A = –40°C, B = 300 G	–	±1	–	degrees
Angle Drift Over Lifetime	ANGLE _{DRIFT-LIFE}	B = 300 G, typical maximum drift observed after AEC-Q100 qualification testing	–	±0.5	–	degrees

¹ Typical data is at T_A = 25°C and V_{CC} = 5 V, and it is for design estimates only.

² 1 G (gauss) = 0.1 mT (millitesla).

³ At power-on, a die will not respond to commands until V_{CC} rises above V_{UVLOHI}. After that, the die will perform and respond normally until V_{CC} drops below V_{UVLOLOW}.

⁴ VCC Low Threshold Flag will be sent via the SPI interface as part of the angle measurement.

⁵ During the power-on time period, the A1338 SPI transactions are not guaranteed.

⁶ The output voltage and current specifications are to aid in PCB design. The pin is not intended to drive any external circuitry. The specifications indicate the peak capacitor charging and discharging currents to be expected during normal operation.

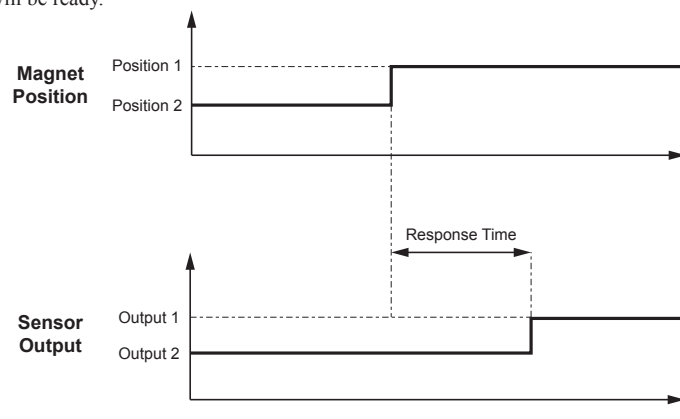
⁷ Parameter is not guaranteed at final test. Determined by design.

⁸ Parameter is not guaranteed at final test. Minimum and maximum parameter values for this characteristic are determined by design.

⁹ RES_{ANGLE} represents the number of bits of data available for reading from the die registers.

¹⁰ Other PWM carrier frequencies are available.

¹¹ The rate at which a new angle reading will be ready.



Definition of Response Time

FUNCTIONAL DESCRIPTION

Overview

The A1338 is a rotary position Hall-sensor-based device. It incorporates up to two electrically independent Hall-based sensor dies in the same surface-mount package to provide solid-state consistency and reliability, and to support a wide variety of automotive applications. Each Hall-sensor-based die measures the direction of the magnetic field vector through 360° in the x-y plane (parallel to the branded face of the device) and computes an angle measurement based on the actual physical reading, as well as any internal configuration parameters that have been set by the user. The output of each die is used by the host microcontroller to provide a single channel of target data.

This device is an advanced, programmable system-on-chip (SoC). Each integrated circuit includes a Circular Vertical Hall (CVH) analog frontend, a high-speed sampling A-to-D converter, digital filtering, digital signal processing, and an SPI, SENT, or PWM output of the processed angle data.

Each sensor die can be configured in a different RPM mode. The data output selection is controlled by the address request in the SPI Read command.

Advanced offset and gain adjustment options are available in the A1338. These options can be configured in onboard EEPROM providing a wide range of sensing solutions in the same device. Device performance can be optimized by enabling individual functions or disabling them in EEPROM to minimize latency.

Angle Measurement

The A1338 can monitor the angular position of a rotating magnet at speeds ranging from 0 to more than 7600 rpm. At lower rotational speeds, the A1338 is able to measure angle data with minimal angular latency between the actual magnet and sensor output. As the RPM increases, the angular latency between the magnet and sensor output also increases.

The A1338 can be configured to operate in two angular measurement modes of operation: Low RPM mode, and High RPM mode. For applications that have a speed range from 0 to 500 rpm (can vary with AVG), the Low RPM mode provides increased resolution. For applications above 500 rpm, configuring the A1338 in High RPM mode provides angle measurements with standard resolution. Above 7600 rpm, the A1338 continues to provide angle data, however the accuracy is proportionally reduced.

The actual update rate of Low RPM mode can be changed by setting the AVG bits in the EEPROM. (See the appendix *Programming Reference* for details.) The selection of Low RPM mode or High RPM mode can be programmed, via the Angle_Meas_Mode

bit, for the expected maximum rotational speed of the magnet in operation, in order to provide the highest corresponding level of angle measurement accuracy. However, the A1338 provides valid output data regardless of the selected mode and the application speed.

The A1338 has a typical output bandwidth of 40 kHz (25 μs refresh rate) in High RPM mode, and 5 kHz (200 μs refresh rate) in Low RPM mode. Thus, for example, in High RPM mode, a new angle measurement is available at the internal angle output register to be transmitted over the SPI/SENT or PWM output ports every 25 μs, or as fast as allowable over the selected output protocol. There is also a latency of 60 μs from when there is a change in the position of the target magnet field to when the new representative angle is updated in the internal angle output register. This latency effectively represents the age of the angle measurement.

Although the range of the resolution of the measurement data output, RES_{ANGLE}, is determined by the selection of either High RPM or Low RPM mode, the measurement can be affected also by the intensity (B, in gauss) of the applied magnetic field from the target. At lower intensities, a reduced signal-to-noise ratio will cause one or two LSBs to change state randomly due to noise, and the effective DAC resolution is reduced. These factors work together, so when High RPM mode is selected, the effective range of resolution is 8 to 10 bits (from lower to higher field intensities), and in Low RPM mode, the effective range is 11 to 12 bits, depending on field strength and AVG selection.

Regardless of the field intensity and mode selection, the transmission protocol and number formatting remains the same. The MSB is always transmitted first. The entire number should be read.

The Output Angle is always calculated at maximum resolution. To be more explicit:

$$Angle_{OUT} = 360 (^{\circ}) \times D[12:0] / (2^{13}) \quad (1)$$

This formula is always true, regardless of the applied field intensity. What changes with the field and speed setting is how “quiet” the LSBs of the measurement data (D 12:x) will be.

It should be noted that the secondary die (E2) is rotated 180° relative to the primary die (E1). This results in a difference in measurement of approximately 180° between the two die, given perfect alignment of each die to the target magnet.

This phenomenon can be counteracted by subtracting the offset using a microprocessor. Alternatively, the difference between the two die can be compensated for using the EEPROM for setting the Reference Angle.

Programing Modes

The EEPROM can be programmed through the dedicated SPI interface pins or via Manchester encoding on the VCC pin, allowing process coefficients to be entered and options selected. (Note: programming EEPROM also requires the VCC line to be pulsed, which could adversely effect other devices if powered from the same line). The EEPROM provides persistent storage at end of line for final parameters.

SPI System-Level Timing

The A1338 outputs a new angle measurement every t_{ANG} μ s. In High RPM mode, the A1338 outputs a new angle measurement every t_{ANG} μ s, with an effective resolution of 10 bits. There is, however, a latency of t_{LAT} , from when the rotating magnet is sampled by the CVH to when the sampled data has been completely transmitted over the SPI interface. Because an SPI interface Read command is not synchronous with the CVH timing, but instead is polled by the external host microcontroller, the latency can vary. For single back-to-back SPI transactions (first transaction is sending the Read register 0x0 command, second is retrieving the angle data) the following scenarios are possible:

- Worst case: 2 CVH cycle + 2 SPI cycles
- Best case: 1.5 SPI cycles; 2 μ s, assuming a 10 MHz SPI clock

Power-Up

Upon applying power to the A1338, the device automatically runs through an initialization routine. The purpose of this initialization is to ensure that the device comes up in the same predictable operating condition every power cycle. This initialization routine takes a finite amount of time to complete, which is referred to as Power-On Time, t_{PO} .

The A1338 wakes up in a default state that sets all SPI registers to their default value. It is important to note that, regardless of the state of the device before a power cycle, the device will re-power with default values. For example, on every power-up, the device will power up in the mode set in the EEPROM bit RPM. The state of the EEPROM is unchanged.

PWM Output (“-P-” option)

The A1338LLETR-P-DD-T and A1338LLETR-P-T options provide a pulse-width-modulated output with duty cycle being proportional to the measured angle. The PWM duty cycle ranges between 5% (corresponding to 0° angle) and 95% (corresponding to 360° angle). The 0% and 100% (Pulled Low, and Pulled High) states are reserved for error condition notifications.

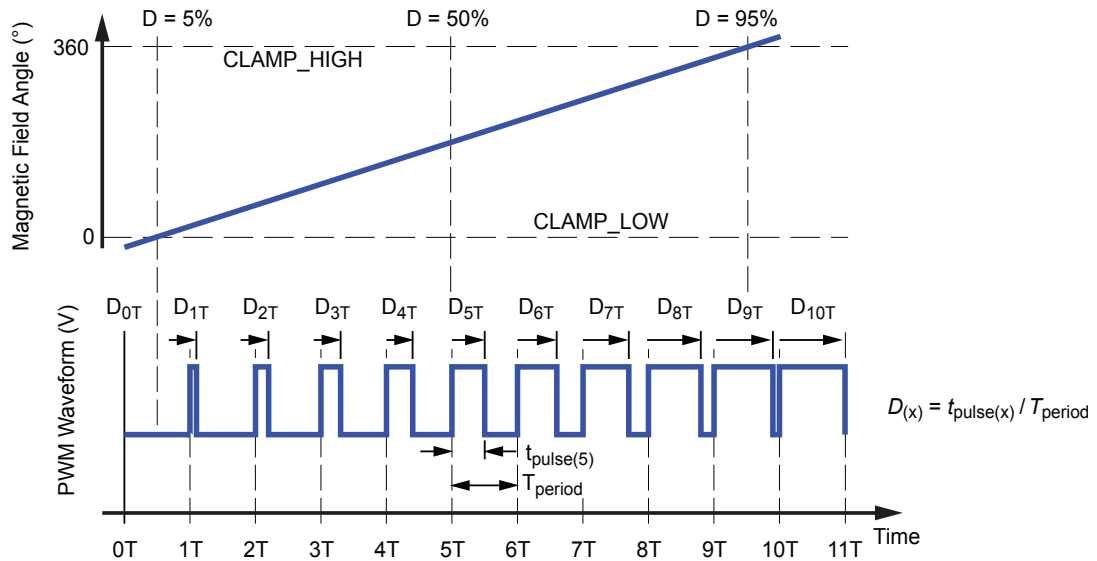


Figure 1: PWM mode outputs a duty-cycle-based waveform that can be read by the external controller as a cumulatively changing continuous voltage.

MANCHESTER SERIAL INTERFACE

To facilitate addressable device programming when using the unidirectional SENT output mode with no need for additional wiring, the A1338 incorporates a serial interface on the VCC line. (Note: The A1338 may be programmed via the SPI interface, with additional wiring connections. For detailed information on part programming, refer to the A1338 programming manual). This interface allows an external controller to read and write registers in the A1338 EEPROM and volatile memory. The device uses a point-to-point communication protocol, based on Manchester encoding per G.E. Thomas (a rising edge indicates a 0 and a falling edge indicates a 1), with address and data transmitted MSB first. The addressable Manchester code implementation uses the logic states of the SA0 (SPI MOSI Pin) / SA1 (SPI CSN Pin) to set address values for each die. In this way, individual communication with up to four A1338 die is possible.

To prevent any undesired programming of the A1338, the serial interface can be disabled by setting the Disable Manchester bit (0x19 bit 18) to a 1. With this bit set, the A1338 will ignore any Manchester input on VCC.

Entering Manchester Communication Mode

Provided the Disable Manchester bit is not set in EEPROM, the A1338 continuously monitors the VCC line for valid Manchester commands. The part takes no action until a valid Manchester Access Code is received.

There are two special Manchester code commands used to activate or deactivate the serial interface and specify the output format used during Read operations:

1. **Manchester Access Code:** Enters Manchester Communication Mode; Manchester code output on the SENT pin.
2. **Manchester Exit Code;** returns the SENT pin to normal (angle data) output format.

Once the Manchester Communication Mode is entered, the SENT output pin will cease providing angle data, interrupting any data transmission in progress.

Transaction Types

As shown in Figure 2, the A1338 receives all commands via the VCC pin, and responds to Read commands via the SENT pin. This implementation of Manchester encoding requires the communication pulses be within a high ($V_{MAN(H)}$) and low ($V_{MAN(L)}$) range of voltages on the VCC line. Writing to EEPROM is supported by two high voltage pulses on the VCC line.

Each transaction is initiated by a command from the controller; the A1338 does not initiate any transactions. Two commands are recognized by the A1338: Write and Read.

Writing to EEPROM

When a Write command requires writing to non-volatile EEPROM, after the Write command, the controller must also send two *Programming pulses*, high-voltage strobes via the VCC pin. These strobes are detected internally, allowing the A1338 to boost the voltage on the EEPROM gates. Refer to the programming manual for specifics on sensor programming and protocol details.

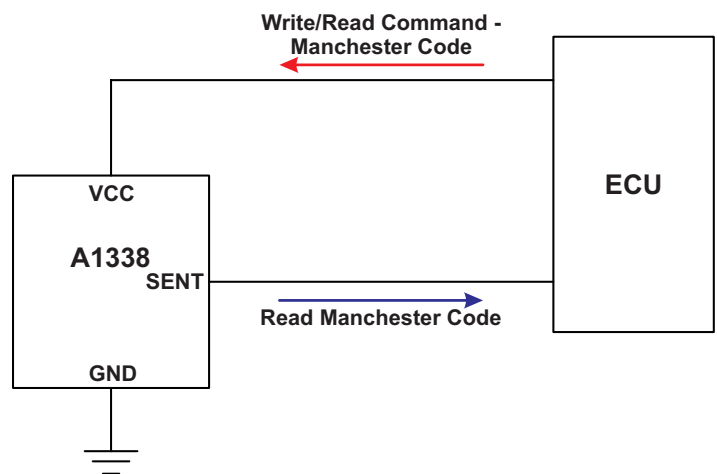


Figure 2: Top-Level Programming Interface

Manchester Interface Reference

Table 1: Manchester Interface Protocol Characteristics [1]

Characteristics	Symbol	Note	Min.	Typ.	Max.	Unit
INPUT/OUTPUT SIGNAL TIMING						
Bit Rate		Defined by the input message bit rate sent from the external controller	4	–	50	kbps
Bit Time	t_{BIT}	Data bit pulse width at 4 kbps	243	250	257	μs
		Data bit pulse width at 100 kbps	9.5	10	10.5	μs
Bit Time Error	err_{TBIT}	Deviation in t_{BIT} during one command frame	–11	–	+11	%
Write Delay	$t_{\text{WRITE(E)}}$	Required delay from the end of the second EEPROM Program pulse to the leading edge of a following command frame	$V_{\text{CC}} < 6.0 \text{ V}$	–	–	–
Read Delay	$t_{\text{START_READ}}$	Delay from the trailing edge of a Read command frame to the leading edge of the Read Acknowledge frame	$\frac{1}{4} \times t_{\text{bit}}$	–	$\frac{3}{4} \times t_{\text{bit}}$	μs
EEPROM PROGRAMMING PULSE						
EEPROM Programming Pulse Setup Time	$t_{\text{SPULSE(E)}}$	Delay from last bit cell of write command to start of EEPROM programming pulse	40	–	–	μs
Pulse High Time	$t_{\text{PULSE(H)}}$	Time above minimum pulse voltage	8	10	11	ms
Rise Time	t_r	10% to 90% of minimum pulse level	300	–	–	μs
Fall Time	t_f	10% to 90% of minimum pulse level	60	–	–	μs
Pulse Voltage	V_{PULSE}	Applied on VCC Line	18	19	19.5	V
Separation Time	$t_{\text{PULSE(F-R)}}$	Timing between first pulse dropping below 6 V and 2nd pulse rising above 6 V	0.002	–	50	ms
INPUT SIGNAL VOLTAGE						
Manchester Code High Voltage	$V_{\text{MAN(H)}}$	Applied to VCC line	7.8	–	–	V
Manchester Code Low Voltage	$V_{\text{MAN(L)}}$	Applied to VCC line	–	–	6.3	V
OUTPUT SIGNAL VOLTAGE (APPLIED ON SENT LINE)						
Manchester Code High Voltage	$V_{\text{MAN(H)}}$	Minimum $R_{\text{pullup}} = 5 \text{ k}\Omega$	$0.9 \times V_{\text{S}}$	–	–	V
		Maximum $R_{\text{pullup}} = 50 \text{ k}\Omega$	$0.7 \times V_{\text{S}}$	–	–	V
Manchester Code Low Voltage	$V_{\text{MAN(L)}}$	$5 \text{ k}\Omega \leq R_{\text{pullup}} \leq 50 \text{ k}\Omega$	–	–	0.1	V

¹ Determined by design.

SENT Output Mode (A1338LLETR-DD-T, A1338LLETR-T options)

The SENT output converts the measured magnetic field angle to a binary value mapped to the Full-Scale Output (FSO) range of 0 to 4095, shown in Figure 3. This data is inserted into a binary pulse message, referred to as a frame, that conforms to the SENT data transmission specification (SAEJ2716 JAN2010).

The SENT frame may be configured via EEPROM. The A1338 may operate in one of three broadly defined SENT modes (see the A1337/8 Programming Manual for details on SENT modes and settings).

- SAE J2716 SENT: free-streaming SENT frame in accordance with industry specification.
- Triggered SENT (TSENT): User-defined sampling and retrieval.
- Shared SENT: Allows multiple devices to share a common SENT line. Devices may either be directly addressed (Addressable SENT or ASENT) or sequentially polled (Sequential SENT or SSENT).

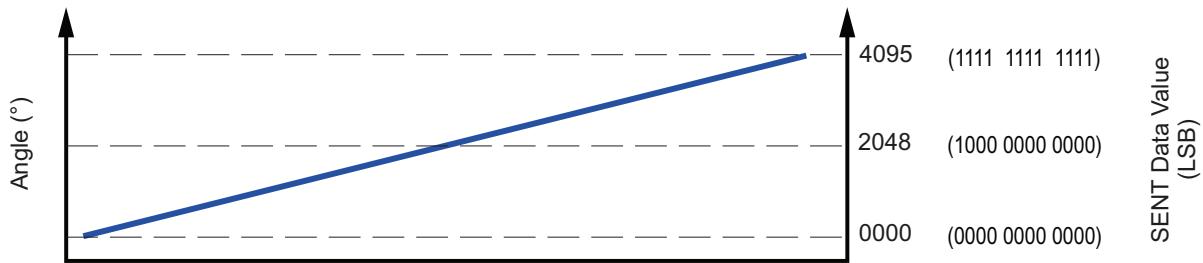


Figure 3: Angle is represented as a 12-bit digital value.

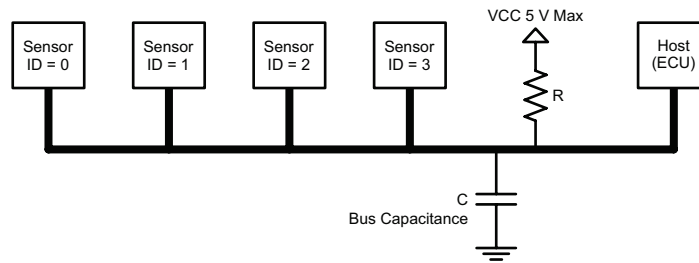


Figure 4: Allegro's proprietary SENT protocol allows multiple parts to share one common output bus.

SENT MESSAGE STRUCTURE

Data within a SENT message frame is represented as a series of nibbles, with the following characteristics:

- Each nibble is an ordered pair of a low-voltage interval followed by a high-voltage interval
- The low-voltage interval acts as the delimiting state which acts as a boundary between each nibble. The length of this low-voltage interval is fixed at 5 ticks.
- The high-voltage interval performs the job of the information state and is variable in duration in order to contain the data payload of the nibble
- The slew rate of the falling edge may be adjusted using the C_SENT_DRIVE parameter.

The duration of a nibble is denominated in ticks. The period of a tick is set by the C_TICK_TIME parameter. The duration of the nibble is the sum of the low-voltage interval plus the high-voltage interval.

The parts of a SENT message are arranged in the following required sequence (see Figure 6):

1. **Synchronization and Calibration:** Flags the start of the SENT message.
2. **Status and Communication Nibble:** Provides A1338 status and the optional serial data determined by the setting of the SENT_SERIAL parameter.
3. **Data:** Angle information and optional data.
4. **CRC:** Error checking.
5. **Pause Pulse (optional):** Fill pulse between SENT message frames.

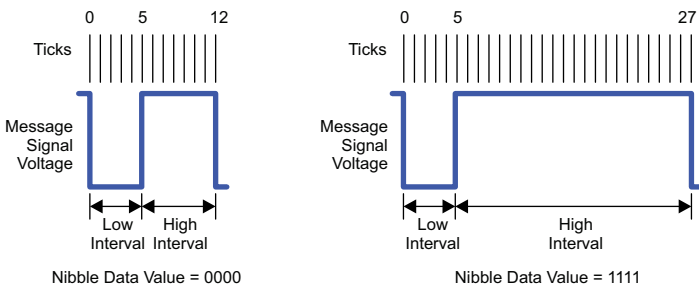


Figure 5: General Value Formation for SENT
0000 (left), 1111 (right)

Table 2: Nibble Composition and Value

Quantity of Ticks			Binary (4-bit) Value	Decimal Equivalent Value
Low-Voltage Interval	High-Voltage Interval	Total		
5	7	12	0000	0
5	8	13	0001	1
5	9	14	0002	2
⋮	⋮	⋮	⋮	⋮
5	21	26	1110	14
5	22	27	1111	15

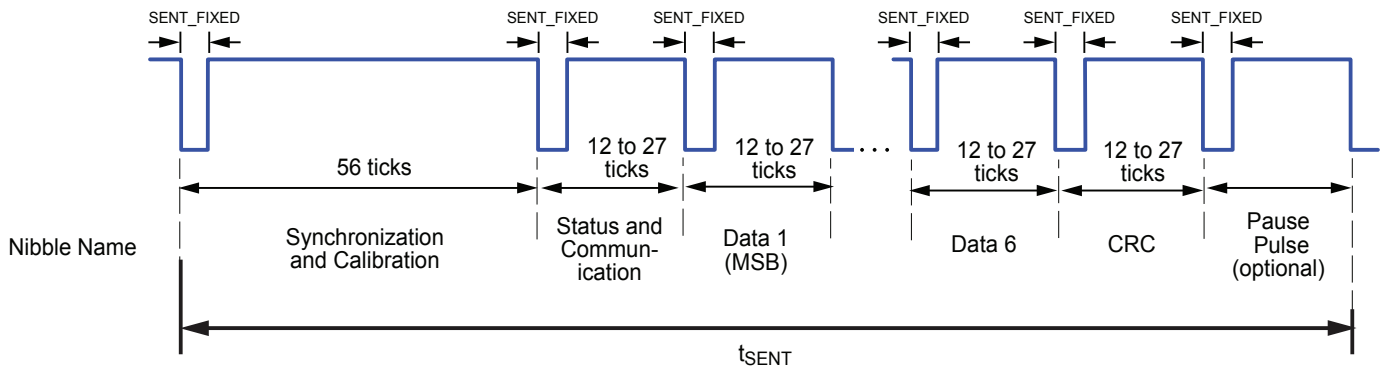


Figure 6: General Format for SENT Message Frame

Table 3: EEPROM Registers Map Table with Defaults (Factory Reserved Registers Not Shown)¹

EADR	State	Bits																								
		23	22	21	20	19	18	17	16	15	14	13	12	11	10	9	8	7	6	5	4	3	2	1	0	
0x11	CUST1	RES																				RES				
		0	0	0	0	0	0	0	0	0	0	0	0	0	0	0	0	0	0	0	0	0	0	0	0	
0x15	LP_CFG1	RES					TC1	LP_OFF_TIMER							NP_SPEED_TIMER											
		0	0	0	0	0	0	0	0	0	1	1	0	0	0	0	0	0	1	0	0	1	1	1	0	1
0x16	LP_CFG2	RES	NP_ANGLE_THRESHOLD										RES	LP_ANGLE_THRESHOLD												
		0	0	0	0	0	0	0	0	1	1	0	1	0	0	0	1	0	1	0	1	0	1	0	1	0
0x17	SENT_CFG	ZS	SS	SM	PO	IS	SCN_MODE			DATA_MODE			SENT_MODE			TICK_TIME				SENT_DRIVE						
		0	0	0	0	0	0	0	0	0	0	0	0	0	0	0	0	0	0	0	0	0	0	0	0	0
0x18	CUST_CFG1			CIS	DA	MAXID		NS	FA					MISSING_MAG_THRESHOLD												
		0	0	0	0	0	0	0	0	0	0	0	0	0	0	0	0	0	0	0	1	1	1	1	0	
0x19	CUST_CFG2	LOCK	RES	PWM_F		RES	MAND	SCRC	RPM	AVERAGE		POL	ANGLE_OFFSET													
		0	0	0	0	0	0	0	0	0	0	0	0	0	0	0	0	0	0	0	0	0	0	0	0	
0x1E	ERM	RES										MAN2	MAN	UV	LBST	CVHST	GOVF	AH	AL	EU	ES	TR	TRNO	IE	MAGM	BATD
		0	0	0	0	0	0	0	0	0	0	0	0	0	0	0	0	0	0	0	0	0	0	0	0	0
0x1F	CUST2	CUST_EEP																								
		0	0	0	0	0	0	0	0	0	0	0	0	0	0	0	0	0	0	0	0	0	0	0	0	0

¹ For more details, see Programming Manual.

² Low power configuration.

³ Missing magnet threshold (30).

Diagnostics

The A1338 was designed with ISO 26262 requirements in mind and supports a number of on-chip self diagnostics to enable the host microcontroller to assess the operational status of each die. For example each die can be user configured for logic built-in self-test (L-BIST) evaluation to ensure the digital circuits are operational. Upon completion of an L-BIST operation the A1338 will set a pass/fail L-BIST status flag in the device error (ERR) register.

Each A1338 die also supports several diagnostic features and status flags, accessible via a SPI read of the ERR register, to let the user know if any issues are present with the A1338 or associated magnetic system, as shown in Table 4.

In addition, each die on the A1338 supports an on-chip user initiated diagnostic (CVH Self-Test) mode that tests the entire signal path, including the front end Circular Vertical Hall sensing circuitry.

microcontroller the respective die initiates a test mode sequence whereby it sequentially applies an internal constant bias current to every contact element in the Circular Vertical Hall ring. As each element in the Circular Vertical Hall ring is sequentially biased, an angle measurement is calculated.

The time to complete one revolution around the Circular Vertical Hall ring and calculate and store incremental angle measurements is t_{CVHST} .

USER INITIATED DIAGNOSTICS

Each die on the A1338 can independently be controlled by a microcontroller to enter its CVH Self-Test mode via SPI or SENT.

When a CVH Self-Test mode operation is requested by the

Table 4: Diagnostic Capabilities

Diagnostic/ Protection	Description	Output State
Loss of V_{CC}	Determine if battery power was lost	BATD Error flag is set; see ERR register table.
Reverse V_{CC} Condition	Current Limiting (V_{CCx} pin)	Output Below GND.
MISO/SENT/PWM Short to V_{CC}	Current Limiting ($MISOx$ pin)	MISO/SENT/PWM Line: Pulled up to V-pullup. Should not be tied to V_{CC} if $V_{CC} > 5.5$ V.
MISO/SENT/PWM Short to Ground	Current Limiting ($MISOx$ pin)	MISO/SENT/PWM Line: Pulled up to GND.
Logic Built-In Self-Test (LBIST)	50% coverage for 10 ms BIST of all digital circuitry	Error Flags set in SPI message when errors are detected; see ERR2 Register table.
Signal Path Diagnostics	User controlled advanced CVH and full signal path diagnostics	Error Flags set in SPI message when errors are detected; see ERR2 Register table.
Internal Error	Monitors digital logic for proper function	IERR Error flag is set; see ERR Register table.
Missing Magnet	Monitors magnet field level in case of mechanical failure	MAGM Error flag is set; see ERR Register table.
EEPROM Error Detection and Correction	Detection of single and dual bit error, and correction of single bit error.	Error flags set in SPI message when errors are detected or corrected; see ERR Register table.
V_{CC} Low Flag	Asserted when $V_{CC} < V_{UVLOTH}$	Bit 2 of SPI Output on MISO is set high. See Programming manual for more details.
Temperature Out of Range	Die temperature has exceeded acceptable range	See ERR Register table for more details
Redundancy	Dual-die version of the A1337 provides redundant sensors in the same package	

Table 5: Primary Serial Interface Registers Bits Map (Reserved Registers Not Shown)

Serial Address	Register Symbol	Addressed Byte (MSB)												
		12	11	10	9	8	7	6	5	4	3	2	1	0
0x04	ERR	–	–	–	–	–	–	EEP2	EEP1	TMP	TRNO	IERR	MAGM	BATD
0x05	ERR2	–	–	–	–	–	–	MANER	RES3	LBIST	CVHST	RES2	RES1	RES0
0x08	CTRL	–	–	–	–	–	–	–	–	STS	TRST	RPM	PWR	ERST

ERR (Error) Register Address

Address: 0x04

Address	0x04													
Bit	12	11	10	9	8	7	6	5	4	3	2	1	0	
Name	–	–	–	–	–	–	EEP2	EEP1	TMP	TRNO	IERR	MAGM	BATD	
R/W	–	–	–	–	–	–	R	R	R	R	R	R	R	
Value	X	X	X	X	X	X	0/1	0/1	0/1	0/1	0/1	0/1	0/1	
Reset	0	0	0	0	0	0	0	0	0	0	0	0	1	

Error register. Indicates various current error conditions. When set, can only be cleared via the CTRL register ERST field, hard reset, or power-on reset (see BATD for exception). If any of the error bits are asserted, the error flag on the serial interface will be asserted. Masking an error bit will prevent the bit from asserting the serial interface error flag, but the error bit may still be asserted in this register.

EEP2 [6] EEPROM Error Flag 2

Uncorrectable dual-bit EEPROM error flag.

Bit	Value	Description
6	0	Error condition not present
	1	Error condition present

EEP1 [5] EEPROM Error Flag 1

Corrected single-bit EEPROM error flag.

Bit	Value	Description
5	0	Error condition not present
	1	Error condition present

TMP [4] Temperature Out of Range

This bit indicates an error condition when the die temperature has exceeded the acceptable range.

Bit	Value	Description
4	0	Error condition not present
	1	Error condition present

TRNO [3] Turns Count Data Overflow (A1337 only)

Indicates an overflow in the turns count output data.

Bit	Value	Description
3	0	Error condition not present
	1	Error condition present

IERR [2] Internal Error

This bit is set to 1 if an internal logic error condition has been detected. When this bit is set to 1, a general reset is recommended.

Bit	Value	Description
2	0	No digital logic timer error has been detected.
	1	Digital logic timer error has been detected.

MAGM [1] Target Magnet Loss

Monitors target magnet field level to detect field loss due to mechanical failure in the application.

Bit	Value	Description
1	0	Error condition not present
	1	Error condition present

BATD [0] Low Power Mode Supply Loss

Indicates if battery power (VCC supply) was lost during Low Power mode. By default also indicates at expected low power events: start-up, power-on reset, and after exiting Transport mode. Before commencing normal operation, must be set to 0 by asserting the ERST bit of the CTRL register (unless field is masked in EEPROM by ERM register BATD field).

Bit	Value	Description
0	0	Error condition not present
	1	Error condition present

ERR2 (Error2) Register

Address: 0x05

Address	0x05												
Bit	12	11	10	9	8	7	6	5	4	3	2	1	0
Name	–	–	–	–	–	–	MANER	RES3	LBIST	CVHST	RES2	RES1	RES0
R/W	–	–	–	–	–	–	R	–	R	R	–	R	R
Value	X	X	X	X	X	X	0/1	–	0/1	0/1	–	0/1	0/1
Reset	0	0	0	0	0	0	0	–	0	0	–	0	1

Error register. Indicates various current error conditions. When set, can only be cleared via the CTRL register ERST field, hard reset, or power-on reset (see BATD for exception). If any of the error bits are asserted, the error flag on the serial interface will be asserted. Masking an error bit will prevent the bit from asserting the serial interface error flag, but the error bit may still be asserted in this register.

MANER [6] Manchester/SENT Error Flag

Indicates Manchester/SENT Error.

Bit	Value	Description
6	0	Error condition not present
	1	Error condition present

RES2 [2] Factory Reserved Bit

RES1 [1] Factory Reserved Bit

RES0 [0] Factory Reserved Bit

RES3 [5] Factory Reserved Bit

LBIST [4] LBIST Error Flag

This bit indicates that the Logic Built-In Self-Test (LBIST) failed.

Bit	Value	Description
4	0	Error condition not present
	1	Error condition present

CVHST [3] Circular Vertical Hall Self-Test

This bit indicates that the Circular Vertical Hall Built-In Self-Test (CVHST) failed.

Bit	Value	Description
3	0	Error condition not present
	1	Error condition present

CTRL (Control) Register

Address: 0x08

Address	0x08							
Bit	7	6	5	4	3	2	1	0
Name	–	–	–	STST	TRST	RPM	PWR	ERST
R/W	–	–	–	–	RW1C	R/W	R/W	RW1C
Value	X	X	X	X	0/1	0/1	0/1	0/1
Reset	0	0	0	0	0	0	0	0

Initialization and operation configuration control command settings.

RW1C: Field is Read, but Write a 1 to clear. When a 1 is written to the field, the command is immediately executed, and the value returns to zero. When Reading the field, this type of field will always read back 0.

STS [4] Self-Test Start

Commands the A1337/8 to begin Self Test.

Bit	Value	Description
4	0	Does not trigger Self-Test
	1	Self-Test is triggered based on pre-selected options in EEPROM

PWR [1] Low Power Mode Select (A1337 only)

Determines operational mode at power-on reset. Determines whether device goes into standard Low Power mode or into Transport mode on next low power cycle request.

Bit	Value	Description
1	0	Low Power Mode
	1	Transport Mode

TRST [3] Turns Count Reset (A1337 only)

Commands the A1337 to clear the value in the TRN register (0x02).

Bit	Value	Description
3	0	Turns counter reset
	1	Turns counter not reset

ERST [0] Error Flags Reset

A feature to clear the values in the ERR register (0x04).

Bit	Value	Description
0	0	ERR register not cleared
	1	ERR register cleared

RPM [2] RPM Operating Mode (see Programming Manual)

This field is populated on power-up by the EEPROM field RPMD.

This field can be written during operation to temporarily override the EEPROM. On the next power cycle, this field will reset to the value determined by the EEPROM field RPMD. This bit must be a '1' to enable internal averaging.

Bit	Value	Description
2	0	Internal Averaging not allowed
	1	Internal Averaging allowed

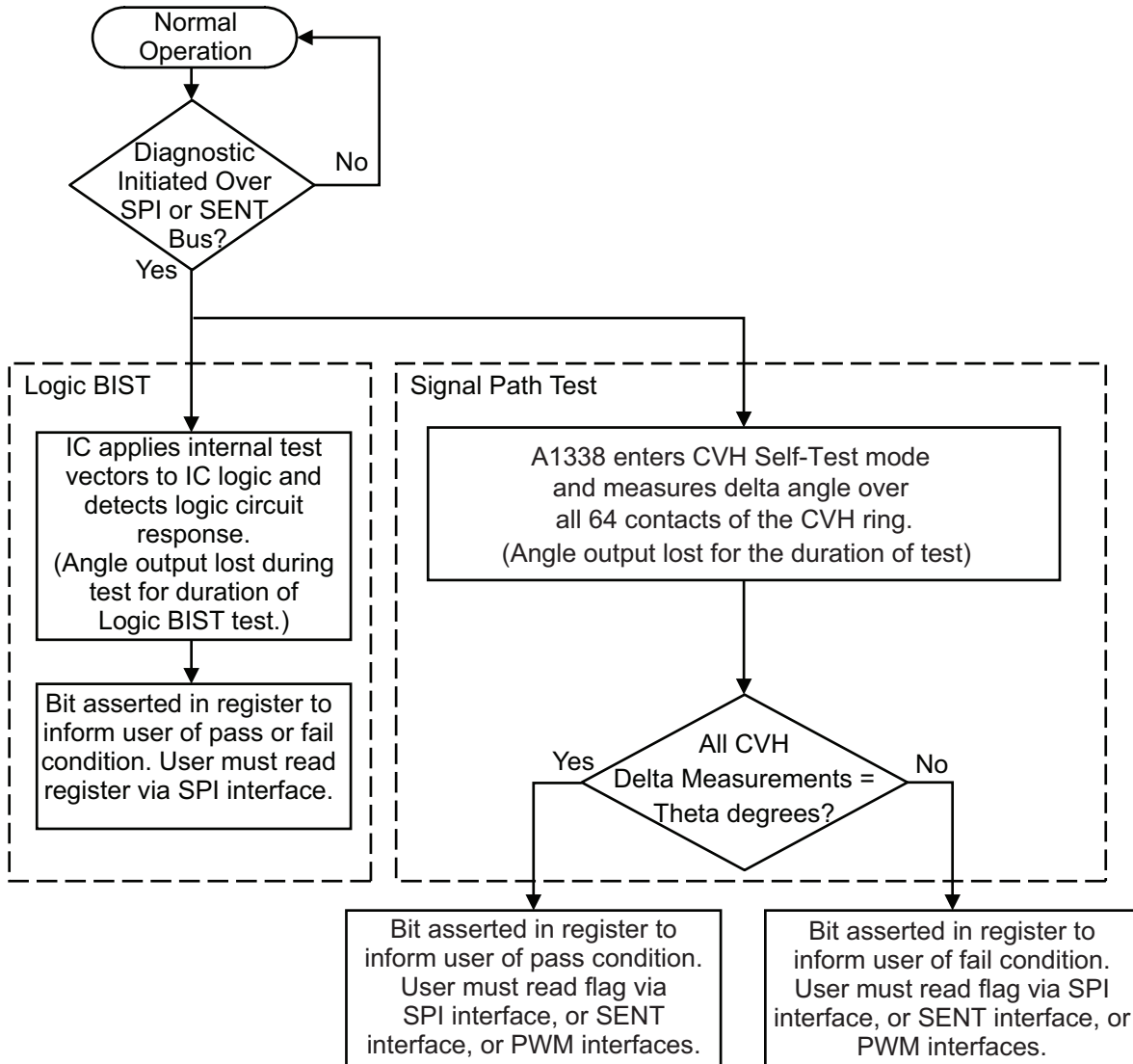


Figure 7: User-Interface Diagnostic Diagram

APPLICATION INFORMATION

Serial Interface Description

The A1338 features SPI, SENT, and PWM interfaces. The following figures show some typical application circuits for using the A1338 with these interfaces.

Calculating Target Zero-Degree Angle

When shipped from the factory, the default zero-degree angle is defined as in Figure 8. In some cases, the end user may want to program an angle offset in the A1338 to compensate for variation in magnetic assemblies, or for applications where absolute system level readings are required.

The internal algorithm for computing the output angle is as follows:

$$Angle_{OUT} = Angle_{RAW} - Reference\ Angle \quad (2)$$

The procedure to “zero out” the A1338 is quite simple. During final application calibration and programming, position

the magnet above the A1338 in the required zero-degree position, and read the angle from the A1338 using the SPI interface ($Angle_{OUT}$). From this angle, the Reference Angle required to program the A1338 can be computed as follows:

$$Reference\ Angle = Angle_{OUT} \quad (3)$$

Bypass Pins Usage

The Bypass pins are required for proper operation of the device. A 0.1 μF capacitor should be placed in very close proximity to each of the bypass pins.

When using the SPI communication protocol, the A1338 has the ability to support host micro-controllers inputs with Voltage Input High (V_{IH}) thresholds of 2 V (minimum). This option only requires BYP1 to be populated with a 0.1 μF Capacitor.

By using an optional second Bypass capacitor on the BYP2 pins, the A1338 can also support host micro-controllers inputs with Voltage Input High (V_{IH}) thresholds of 2.5 V (minimum). This

- Target alignment for default angle setting
- Target rotation axis intersects primary die
 - Sets primary die 0° default point
 - Sets secondary die 180° default point
- (Example shows element E1 as primary die element E2 as secondary die)

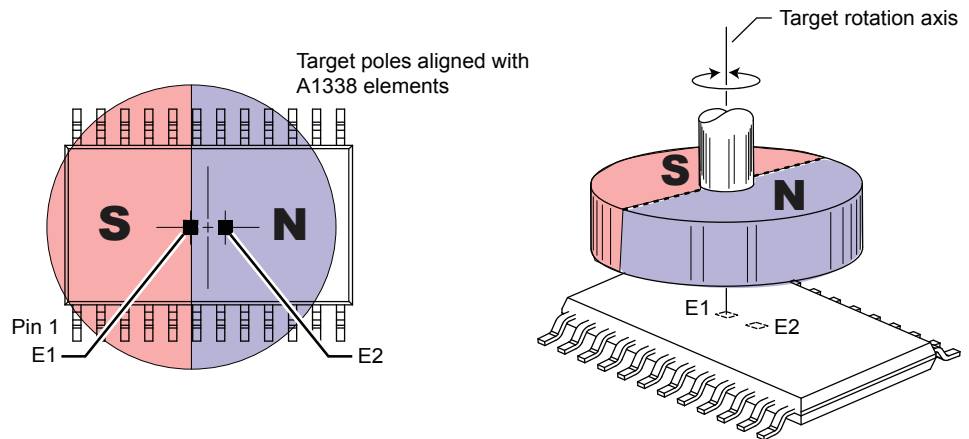


Figure 8: Orientation of Magnet for 0° Relative to Primary Die and 180° Relative to Secondary Die

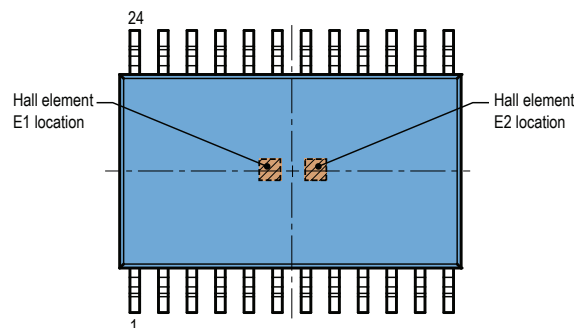


Figure 9: Hall Element Located Off-Center within the Device Body

(refer to the Package Outline Drawing for reference dimensions)

option requires that both BYP1 and BYP2 pins be populated with 0.1 μ F capacitors, and that the appropriate EEPROM configuration bit be enabled.

The Bypass pins are not intended to be used to source external components. To assist with PCB layout, please see the Operating Characteristics table for output voltage and current requirements.

Changing Sampling Modes

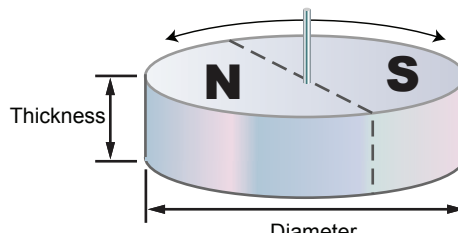
The A1338 features a High RPM sampling mode, and a Low RPM sampling mode. The default power-on state of the A1338 is loaded from EEPROM. To configure the A1338 to Low RPM mode, set the Operating mode to Low RPM mode by writing a logic 1 to bit 2 (RPM) of the configuration commands (CTRL) register, via the SPI interface.

Magnetic Target Requirements

The A1338 is designed to operate with magnets constructed with a variety of magnetic materials, cylindrical geometries, and field strengths, as shown in Table 7. Contact Allegro for more detailed information on magnet selection and theoretical error.

Table 6: Target Magnet Parameters

Magnetic Material	Diameter (mm)	Thickness (mm)
Neodymium (bonded)	15	4
Neodymium (sintered)*	10	2.5
Neodymium (sintered)	8	3
Neodymium / SmCo	6	2.5



*A sintered Neodymium magnet with 10 mm (or greater) diameter and 2.5 mm thickness is the recommended magnet for redundant applications.

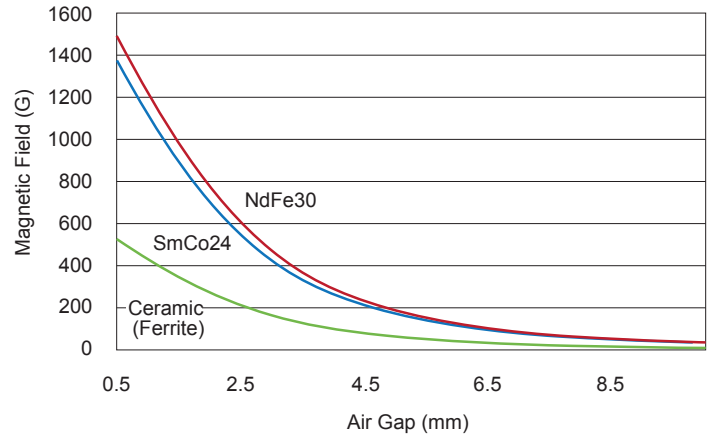


Figure 10: Magnetic Field versus Air Gap for a magnet 6 mm in diameter and 2.5 mm thick.

Allegro can provide similar curves for customer application magnets upon request. We recommend larger magnets for applications that require optimized accuracy performance.

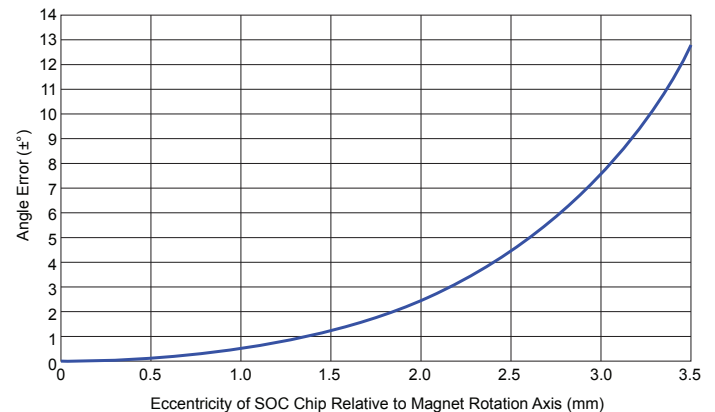


Figure 11: Angle Error versus Eccentricity

Redundant Applications and Alignment Error

The A1338 is designed to be used in redundant, on-axis, applications with a single magnet spinning over the two separate dice that are mounted side-by-side in the same package. One challenge with this configuration is correctly lining up the magnet with the device package, so it is important to be aware of the physical separation of the two dice.

Figure 10 illustrates the behavior of alignment error when using a $\varnothing 10 \text{ mm} \times 2.5 \text{ mm}$ Neodymium magnet that is located 2.7 mm above the branded face of the package. The curve shows the relationship between absolute angle error present on the output of the die versus eccentricity of the die relative to the rotation axis of the magnet. The curve is the same for both dice in the package.

The curve provides guidance to determine what the optimal magnet placement should be for a given application. For example, given that the maximum spacing between the two dice is 1 mm, if the center of the magnet rotation is placed at the midpoint between the two dice, each die will have a maximum eccentricity of 0.5 mm.

For applications with reduced accuracy requirements, considering one die the primary and the other die the secondary, the magnet axis of rotation could be positioned directly above the primary die, and thus offset 1 mm from the secondary die, yielding zero alignment error on the primary die, and approximately $\pm 1^\circ$ of error on the secondary die, relative to the primary die, due to geometric mismatch.

System Timing and Error

The A1338 is a digital system, and therefore takes angle samples at a fixed sampling rate. When using a sensing device with a fixed sampling rate to sample a continuously moving target, there will be error introduced that can be simply calculated with the sampling rate of the device and the speed at which the magnetic signal is changing. In the case of the A1338, the input signal is rotating at various speeds, and the sampling rate of the A1338 is fixed at ANG. The calculation would be:

$$ANG (\mu s) \times \text{angular velocity } (^\circ/\mu s) \quad (4)$$

So the faster the magnetic object is spinning, the further behind in angle the output signal will seem for a fixed sampling rate.

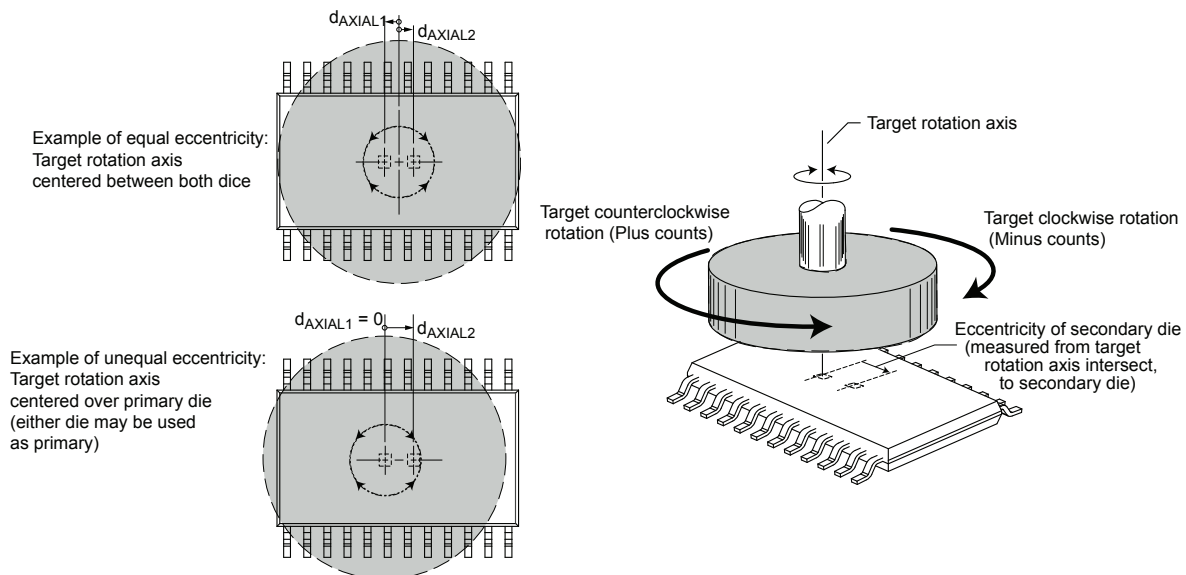


Figure 12: Demonstration of Magnet to Sensing Element Eccentricity

CHARACTERISTIC PERFORMANCE DATA

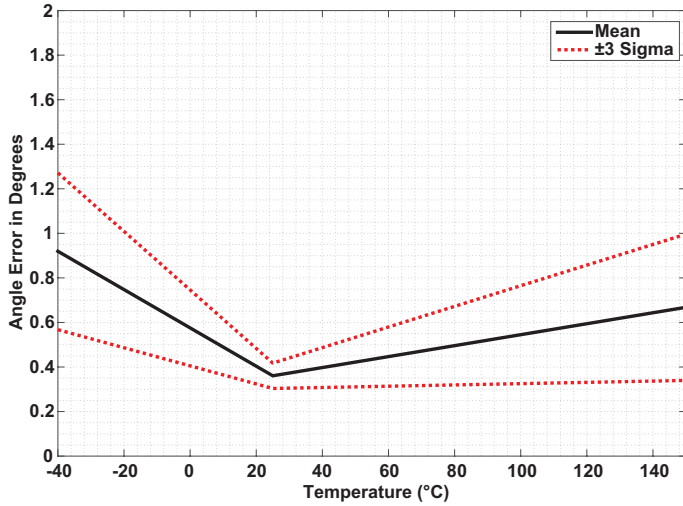


Figure 14: Angle Error over Temperature (300 G)

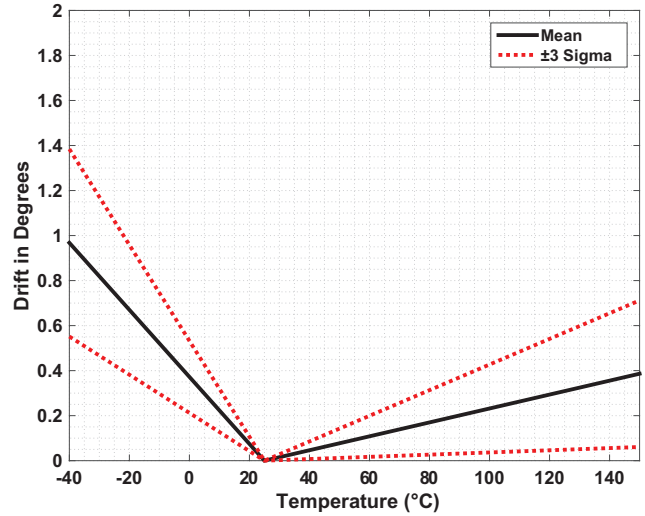


Figure 15: Angle Drift Relative to 25°C (300 G)

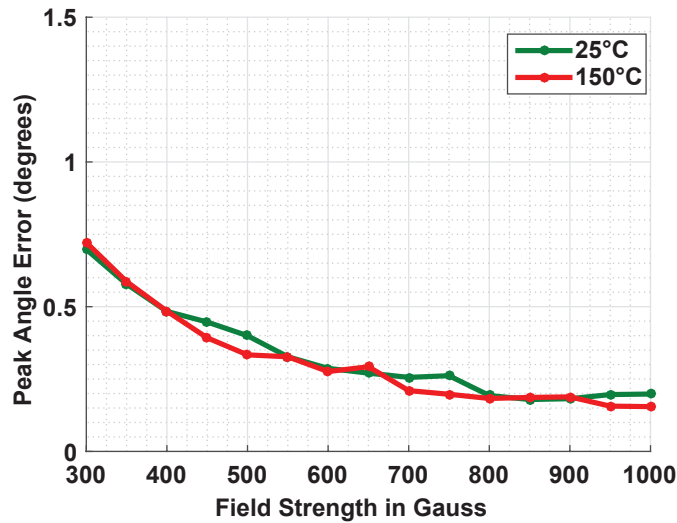


Figure 13: Angle Error over Field Strength

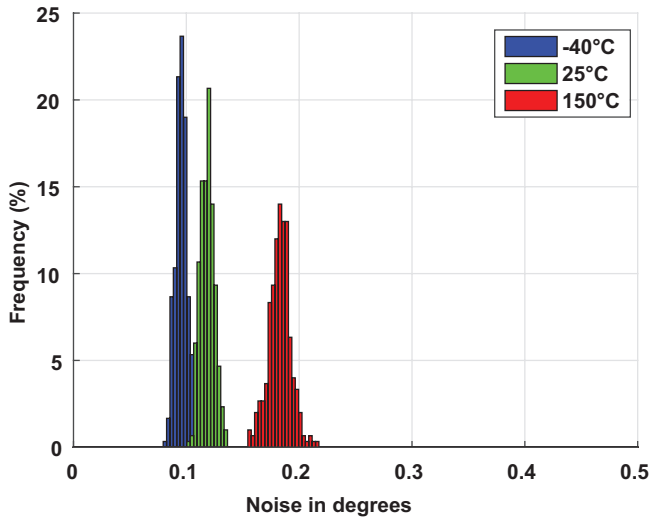


Figure 16: Noise Distribution over Temperature (1 σ , 300 G)

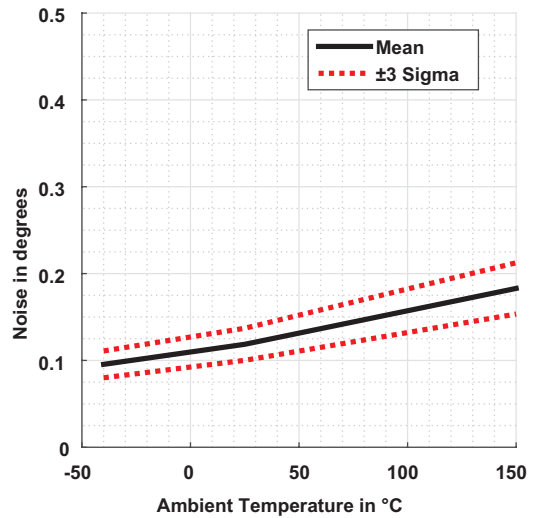


Figure 17: Noise Performance over Temperature (1 σ , 300 G)

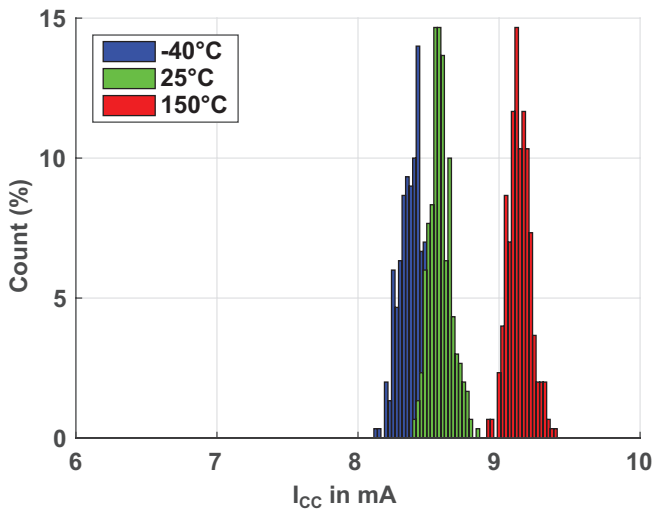


Figure 18: I_{CC} Distribution over Temperature (I_{CC} per die, $V_{CC} = 3.7$ V)

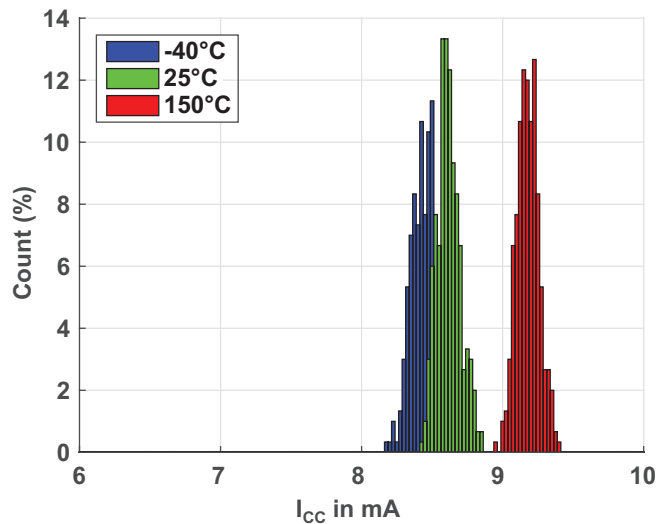


Figure 19: I_{CC} Distribution over Temperature (I_{CC} per die, $V_{CC} = 16$ V)

EMC Reduction

For applications with stringent EMC requirements, a 100 Ω resistance should be added to the supply for the device in order to suppress noise. A recommended circuit is shown in Figure 19.

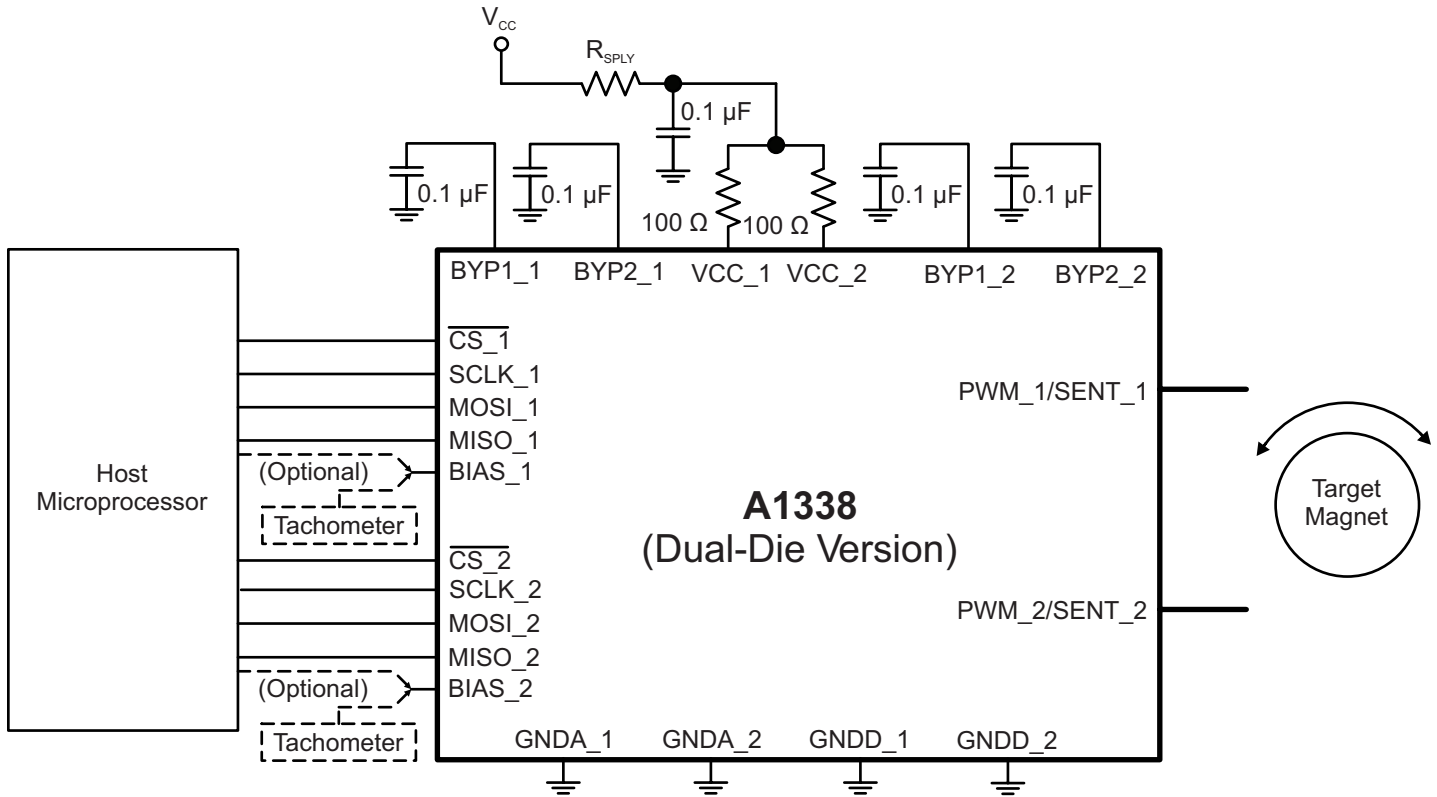


Figure 20: Typical application diagram (dual-die version) with EMC suppression resistor, R_{SPLY} , on supply line

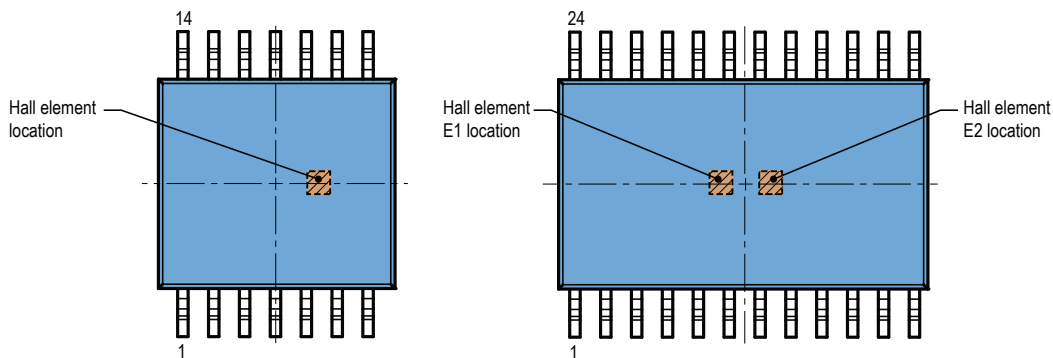


Figure 21: Hall element located off-center within the device body; refer to the Package Outline Drawing for reference dimensions

PACKAGE OUTLINE DRAWINGS

For Reference Only – Not for Tooling Use

(Reference MO-153 AB-1)

Dimensions in millimeters

Dimensions exclusive of mold flash, gate burrs, and dambar protrusions

Exact case and lead configuration at supplier discretion within limits shown

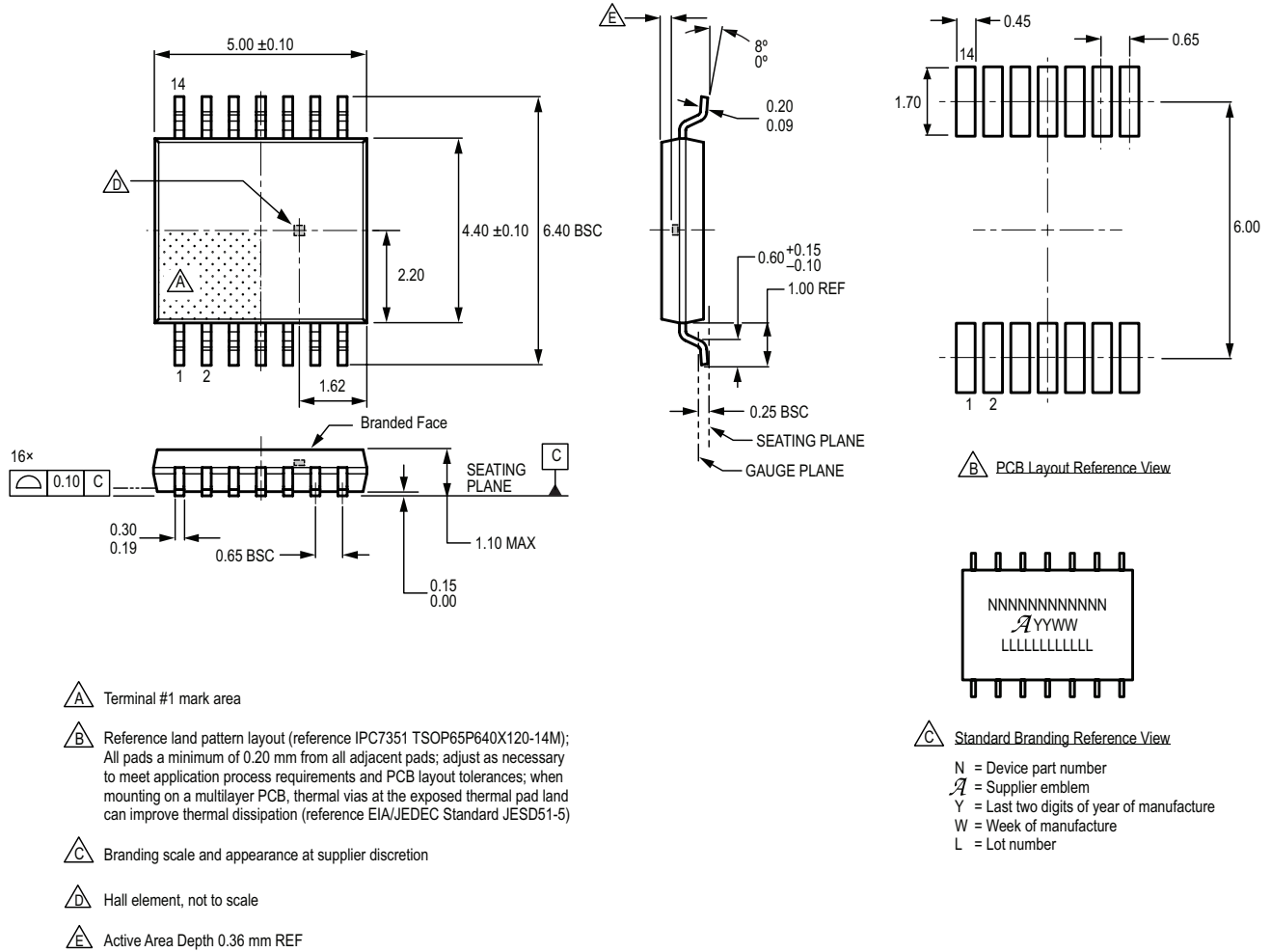


Figure 22: Package LE, 14-Pin TSSOP

For Reference Only – Not for Tooling Use

(Reference MO-153 AD)
Dimensions in millimeters
Dimensions exclusive of mold flash, gate burrs, and dambar protrusions
Exact case and lead configuration at supplier discretion within limits shown

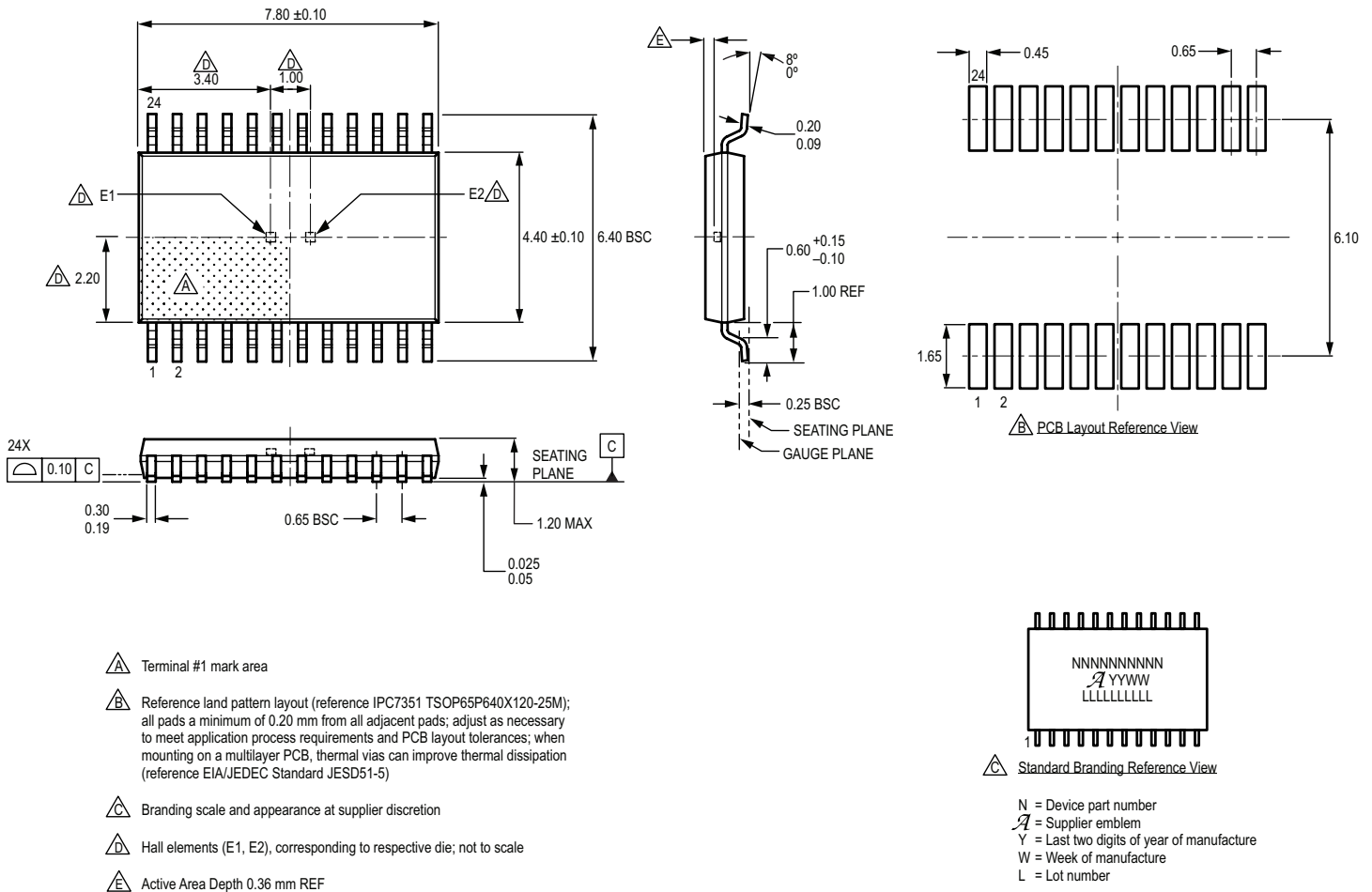


Figure 23: Package LE, 24-Pin TSSOP

Revision History

Number	Date	Description
–	November 18, 2016	Initial release

Copyright ©2016, Allegro MicroSystems, LLC

Allegro MicroSystems, LLC reserves the right to make, from time to time, such departures from the detail specifications as may be required to permit improvements in the performance, reliability, or manufacturability of its products. Before placing an order, the user is cautioned to verify that the information being relied upon is current.

Allegro's products are not to be used in any devices or systems, including but not limited to life support devices or systems, in which a failure of Allegro's product can reasonably be expected to cause bodily harm.

The information included herein is believed to be accurate and reliable. However, Allegro MicroSystems, LLC assumes no responsibility for its use; nor for any infringement of patents or other rights of third parties which may result from its use.

For the latest version of this document, visit our website:

www.allegromicro.com

