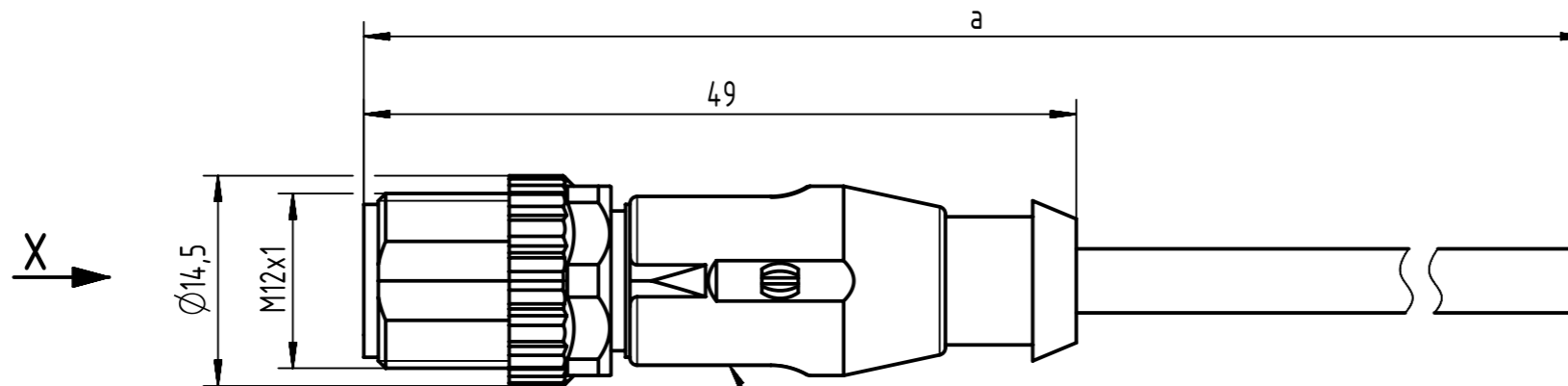


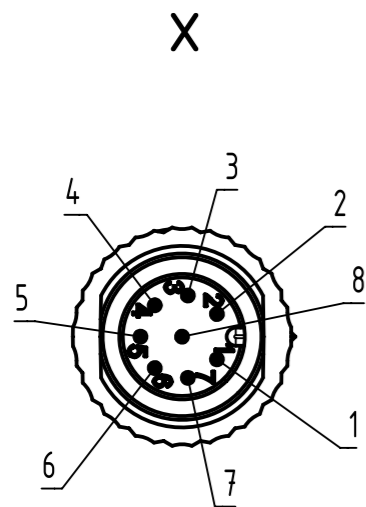
Connector Location A

Connector Location B

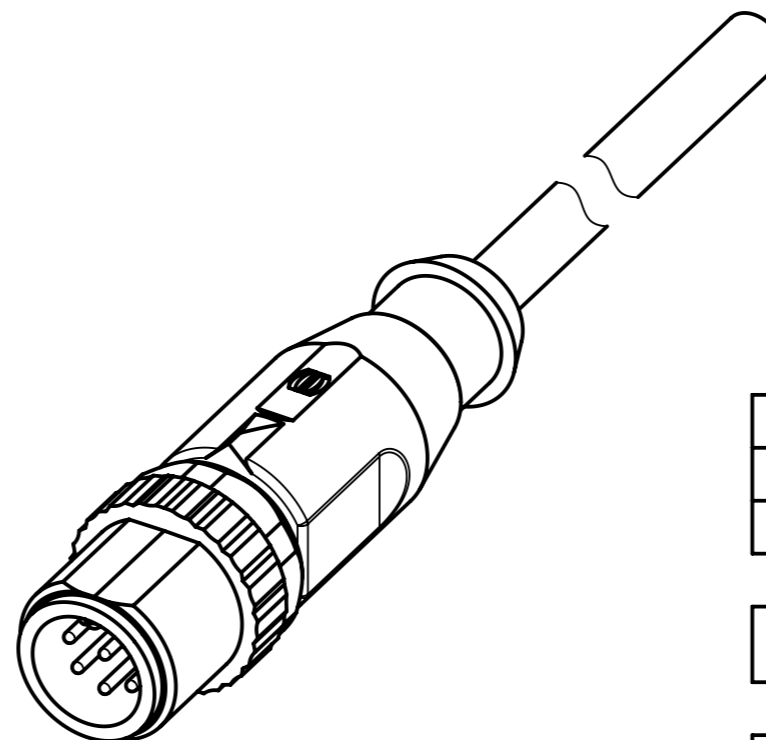


M12 A-coded 8-pole, male straight connector unshielded

Loading-Plan:



- 1 — white
- 2 — brown
- 3 — green
- 4 — yellow
- 5 — grey
- 6 — pink
- 7 — blue
- 8 — red



length in "1m" step	40	XXX=400
	39	XXX=390
	·	·
	12	XXX=120
	11	XXX=110
length in "0.1m" step	10	XXX=100
	9.9	XXX=099
	9.8	XXX=098
	·	·
	0.4	XXX=004
	0.3	XXX=003
	0.2	XXX=002
0.1	XXX=001	
Step	a [m]	XXX

4.0 to 40	+1%
0.1 to 3.9	+0.04
a [m]	Tolerance

Part no.	213484008XXXXXX
----------	-----------------

Type of cable	XX
PVC grey, 8x0.25mm <sup>2</sup>	XX=82
TPU black, 8x0.25mm <sup>2</sup>	XX=70

- Protection level: IP67
- Temperature range: -25°C ... +80°C

	All rights reserved	Created by	Inspected by	Standardisation	Date	State	
	Department HCS - RO	MUNTEANV	POPESCU	AVRAM	2017-02-09	Final Release	
HARTING Customised Solutions		Title				Doc-Key / ECM-Nr.	
D-32427 Minden		M12 A-coded Cable Assembly				100578925/UGD/009/B 500000115234	
		Type	Number		Rev.	Page	
		TB	213484008XXXXXX		B	1/1	