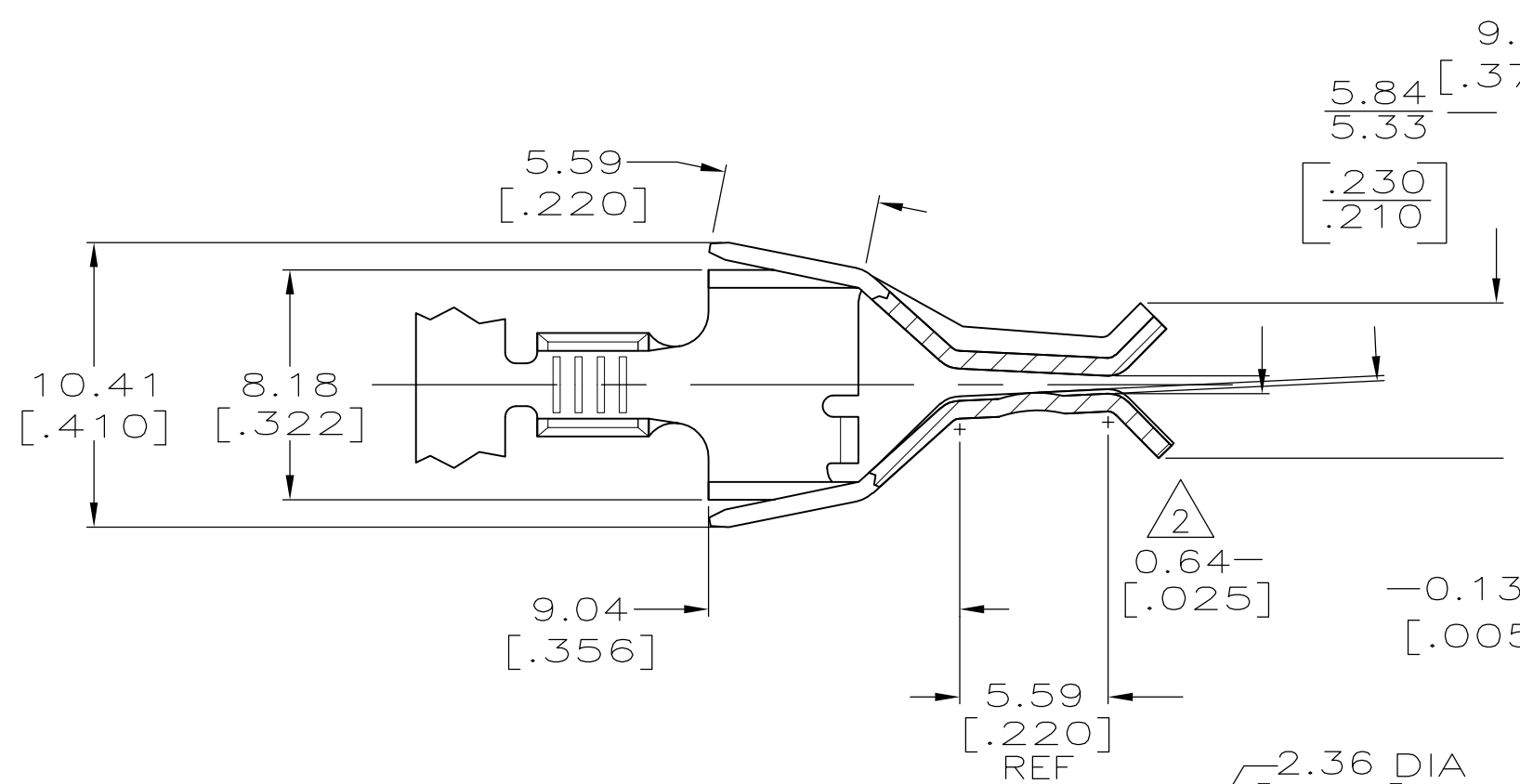


THIS DRAWING IS UNPUBLISHED. RELEASED FOR PUBLICATION
 © COPYRIGHT BY TYCO ELECTRONICS CORPORATION. ALL RIGHTS RESERVED.

LOC	DIST	REVISIONS					
AF	50	P	LTR	DESCRIPTION	DATE	DWN	APVD
			D	REVISED PER ECR-08-005248	06MAR08	HMR	GP



1 CONTINUOUS STRIP ON REEL.
 2 DIMENSION NOT TO EXCEED 1.01 [.040] AFTER 6 INSERTIONS OF A MATING BLADE.

SECTION A-A
 SCALE 5:1

0.00381 [.000150] MIN SILVER PLATE	[18-14] AWG	63863-2
0.00203 [.000080] MIN TIN PLATE	[18-14] AWG	63863-1
FINISH	WIRE RANGE	PART NO.

THIS DRAWING IS A CONTROLLED DOCUMENT.

DWN	20/JUL/95	Tyco Electronics	Tyco Electronics Corporation	
CHK	20/JUL/95		Harrisburg, PA 17105-3608	
APVD	20/JUL/95	NAME	RECEPTACLE, TWIST LOCK	
PRODUCT SPEC		SIZE	CAGE CODE	DRAWING NO
APPLICATION SPEC		A3	00779	C-63863
WEIGHT	-	RESTRICTED TO	-	
MATERIAL	FINISH	CUSTOMER DRAWING	SCALE	SHEET
H04 PHOS BRONZE	SEE TABLE		4:1	1 OF 1

REVISIONS: REV D