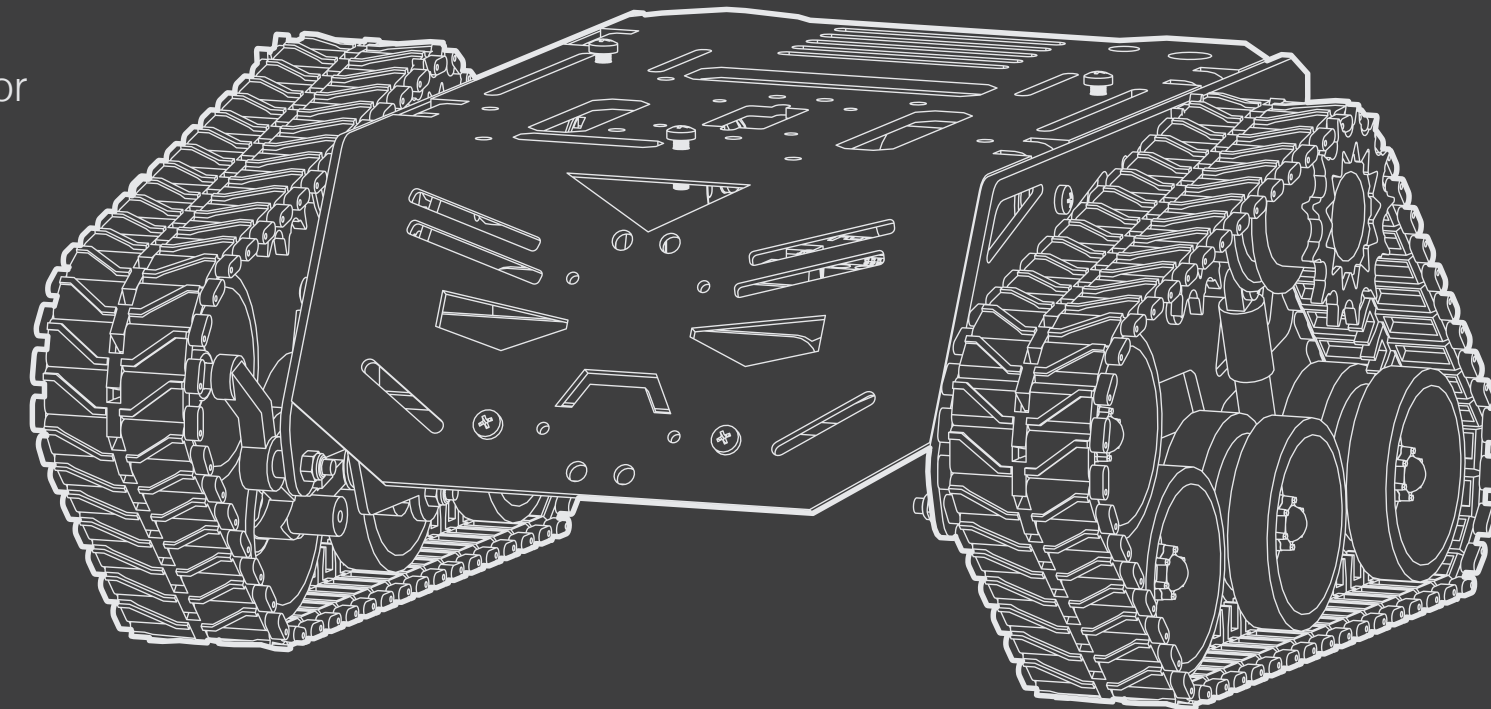


DEVASTATOR

Tank Mobile Platform Instrution Manual

Metal DC Gear Motor
with Back Shaft



网站: www.dfrobot.com.cn
电话: 86-21-61620183
技术支持: Techsupport@dfrobot.com
地址: 上海市浦东新区亮秀路112号Y1座615室



dfrobot dfrobot

© 本说明书最终解释权归DFRobot所有

Website: www.dfrobot.com
Tel: 86-21-61620183
Service: Techsupport@dfrobot.com
Address: Rm. 615, Bldg Y1, NO.112, Liangxiu Rd., Pudong, China



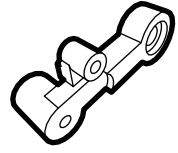
dfrobot dfrobot dfrobotcn

© DFRobot has the final authority of interpretation on this manual.

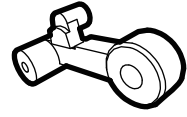


Parts List

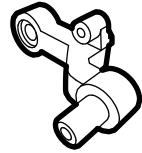
Parts List



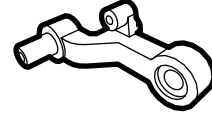
A1-1 x1



A1-2 x1



A2-1 x2



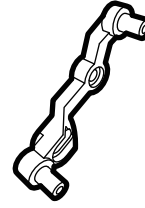
A2-2 x2



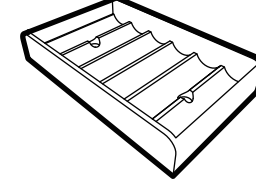
A3 x6



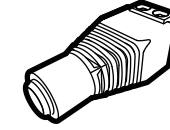
A4-1 x1



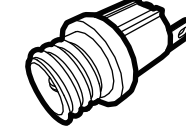
A4-2 x1



F1 x1



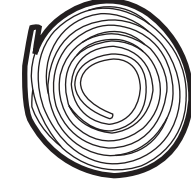
F2 x1



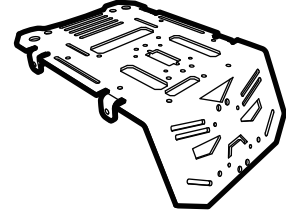
F3 x1



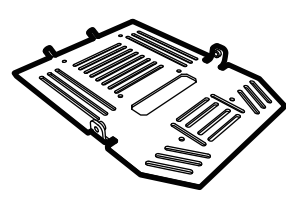
F4 x1



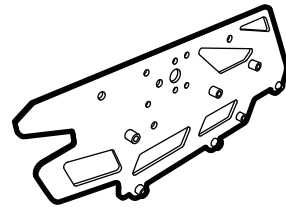
F5 x1



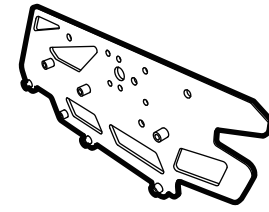
B1 x1



B2 x1



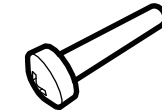
B3 x1



B4 x1



C1 x2
M2.6x14mm
Phillips Self Tapping Screw



C2 x16
M3x16mm
Phillips Pan Head Machine Screw



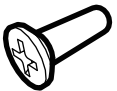
C3 x20
M3
Locknut



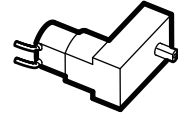
C4 x16
M3x6mm
Phillips Pan Head Machine Screw



C5 x8
M2.6x8mm
Phillips Self Tapping Screw



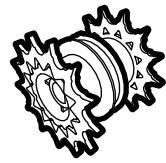
C6 x2
M3x10mm
Phillips Flat Head Machine Screw



D1 x2



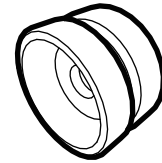
D2 x2



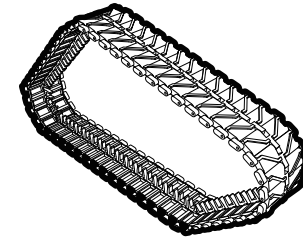
E1 x2



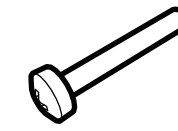
E2 x8



E3 x8



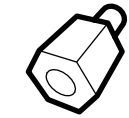
E4 x2



C7 x4
M2.5x20mm
Phillips Pan Head Machine Screw



C8 x4
M2.5
Locknut



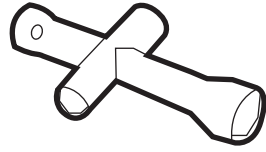
C9 x4
M3x6mm
Hexagonal Standoffs



Essential Tools

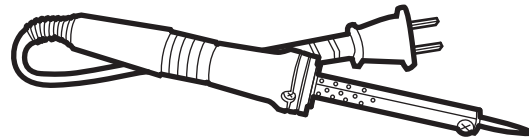


M3 Phillips Screwdriver

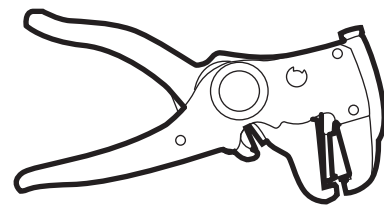


Small Cross Sleeve Wrench

Selection Tool

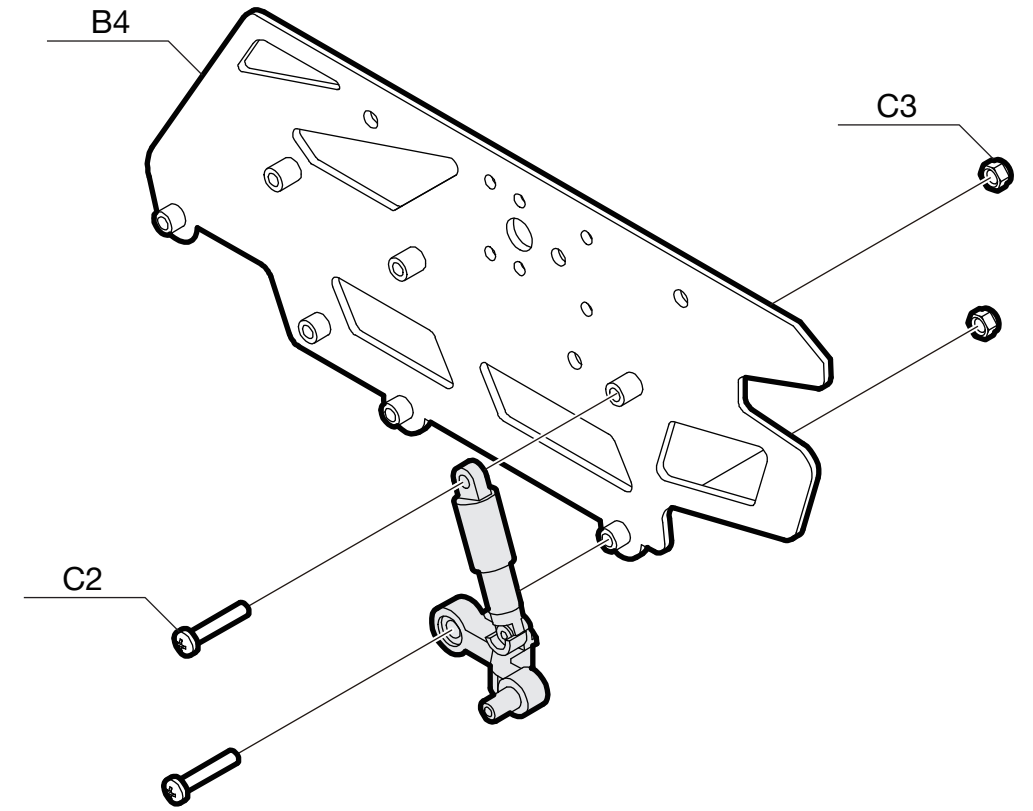
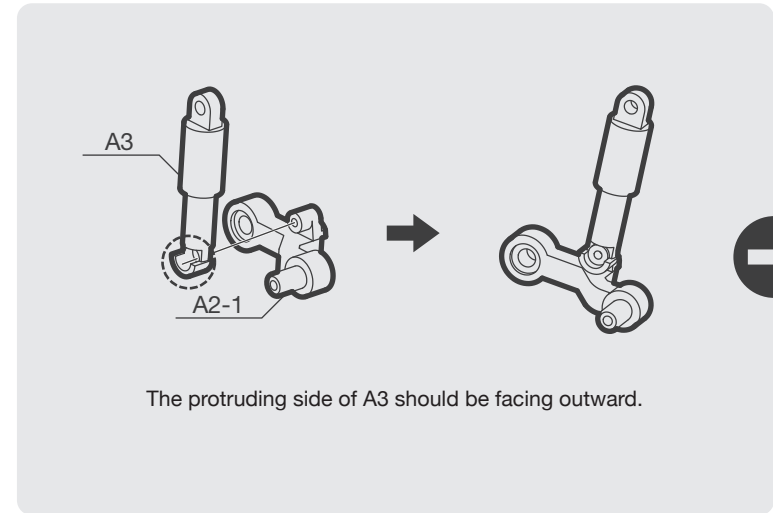


Soldering Iron

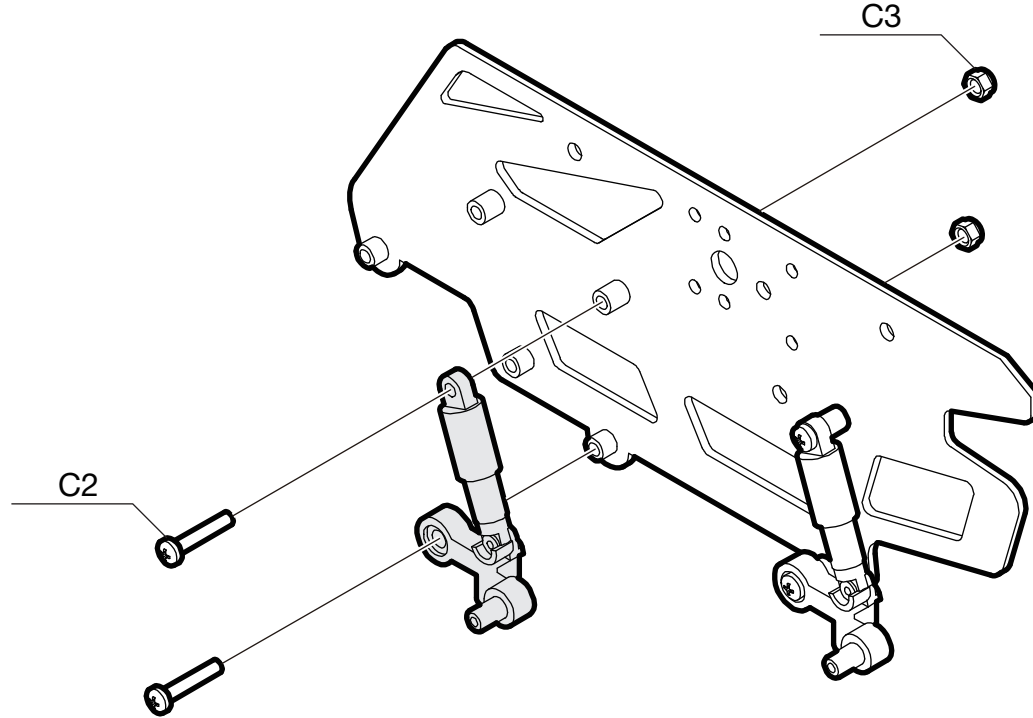
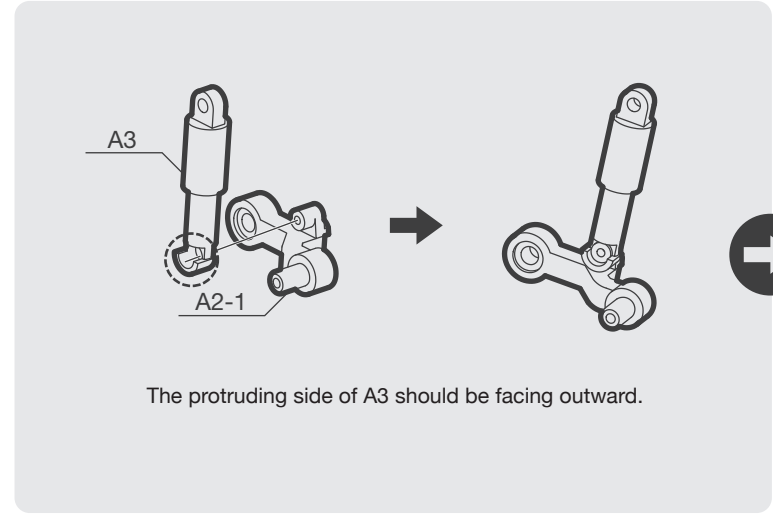


Wire Strippers

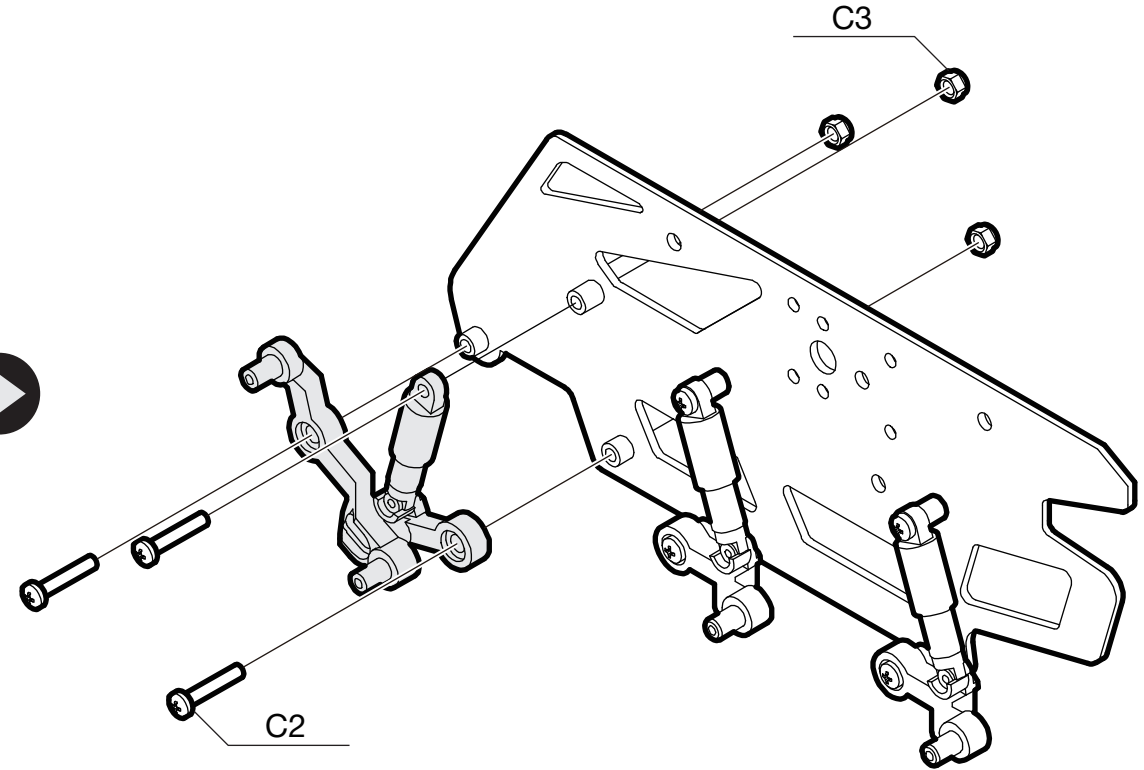
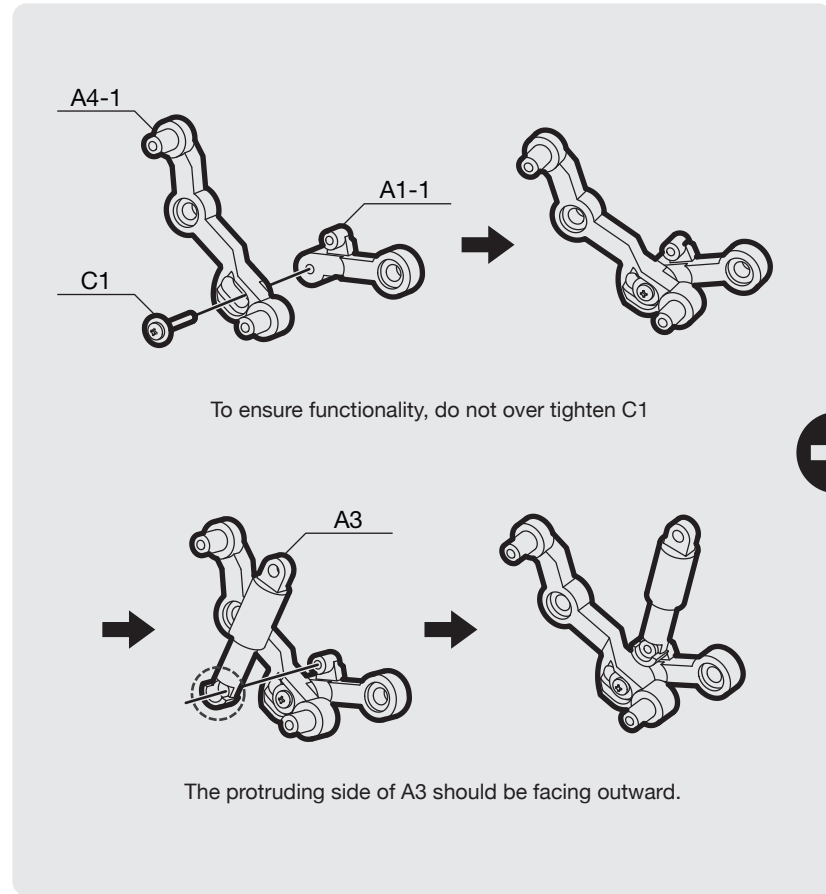
Note: Tools and Batteries are not included.

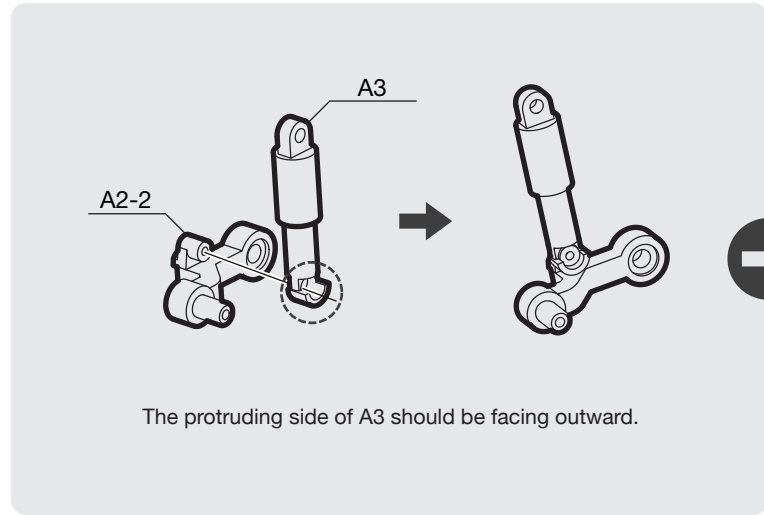


Make sure the aluminum side panel faces the correct direction.

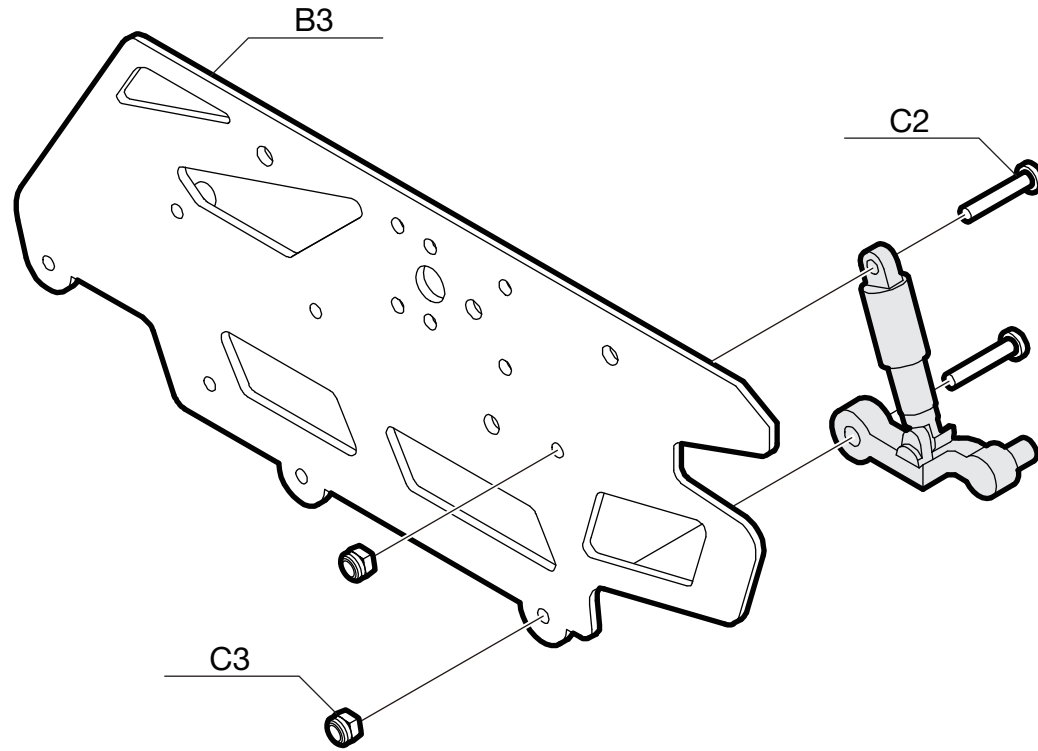


Make sure the aluminum side panel faces the correct direction.

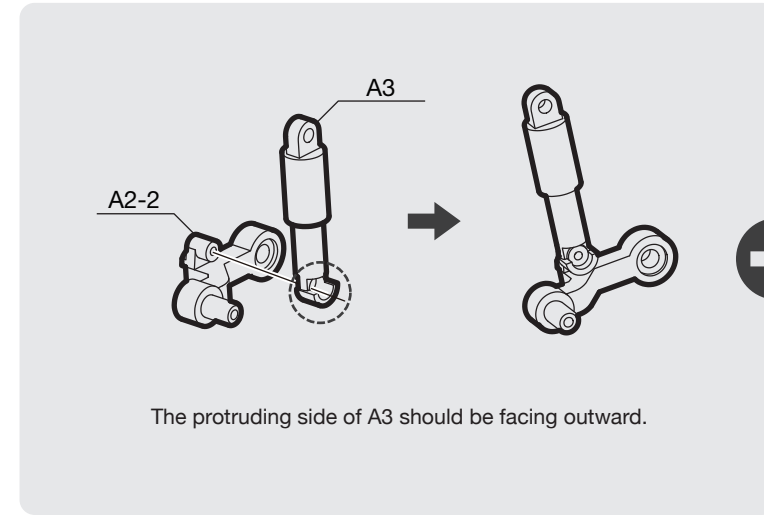




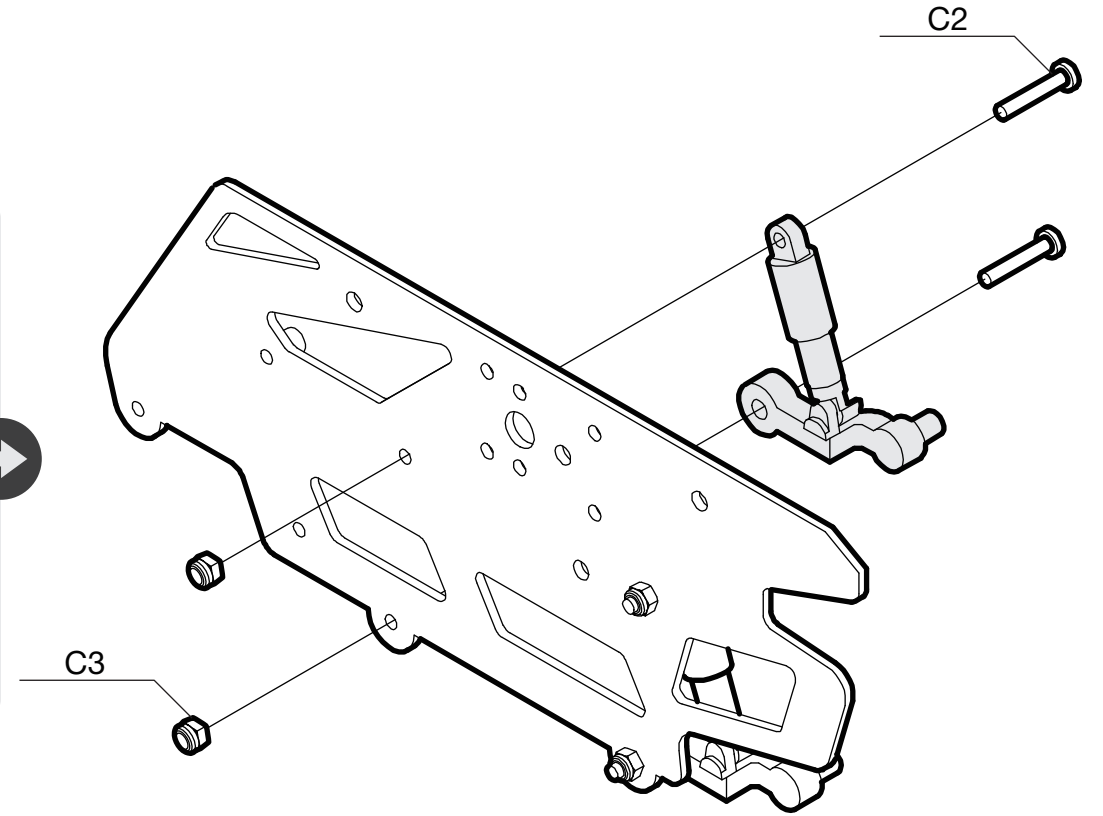
The protruding side of A3 should be facing outward.



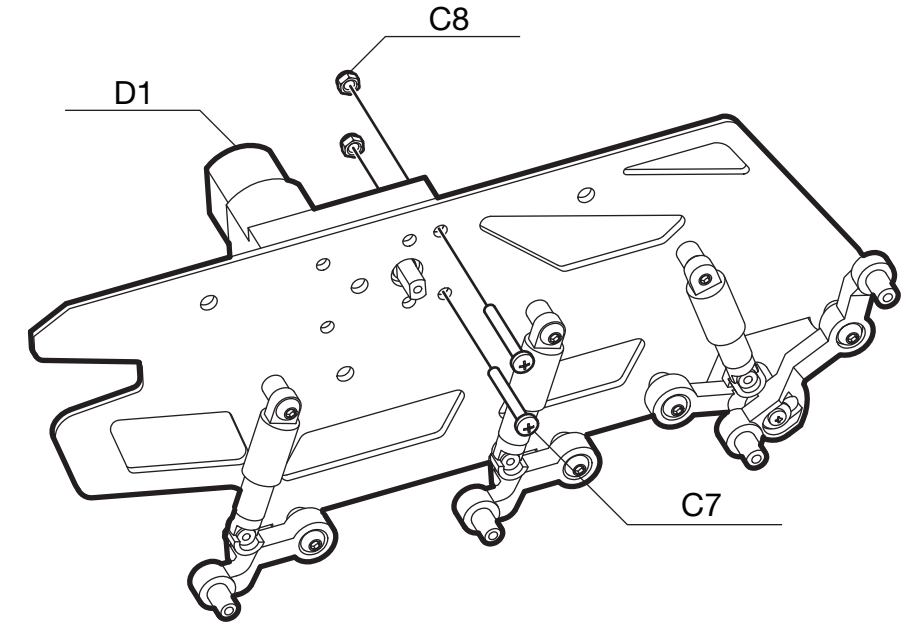
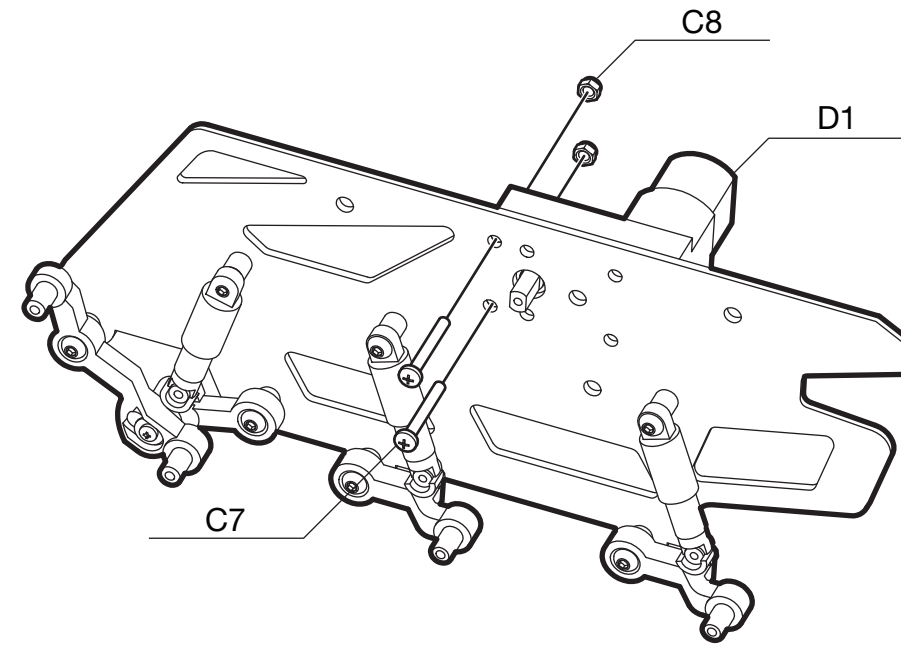
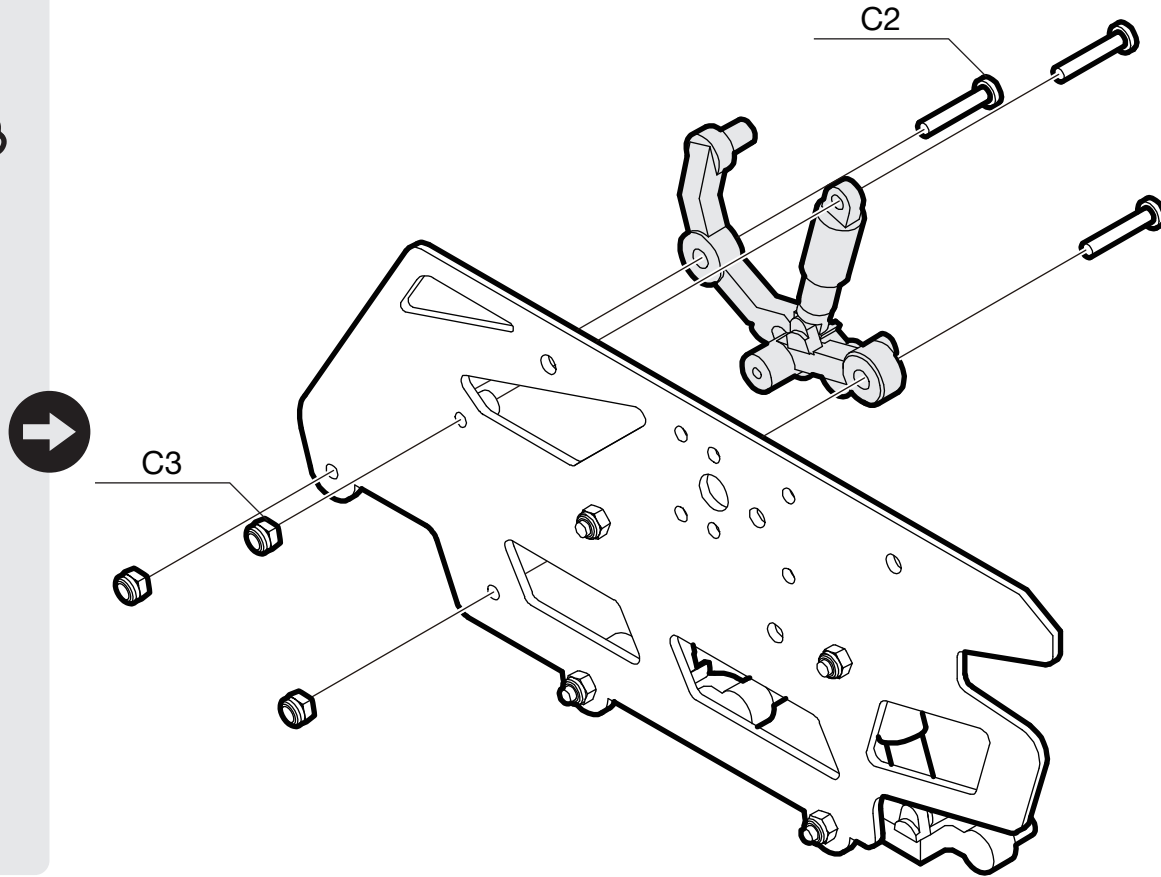
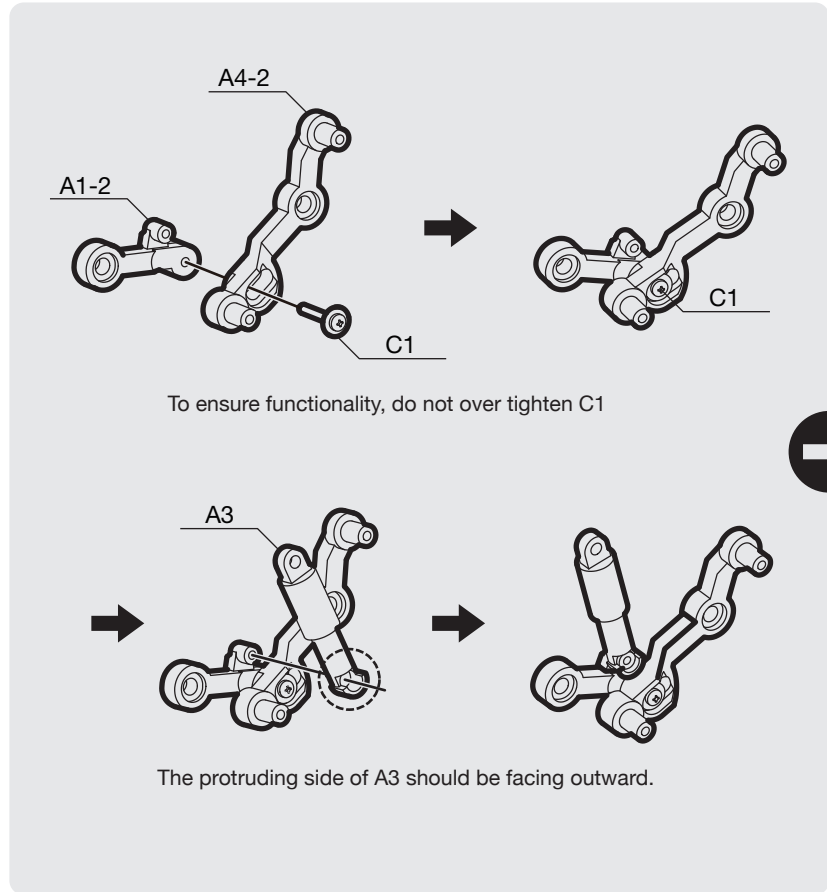
Make sure the aluminum side panel faces the correct direction.

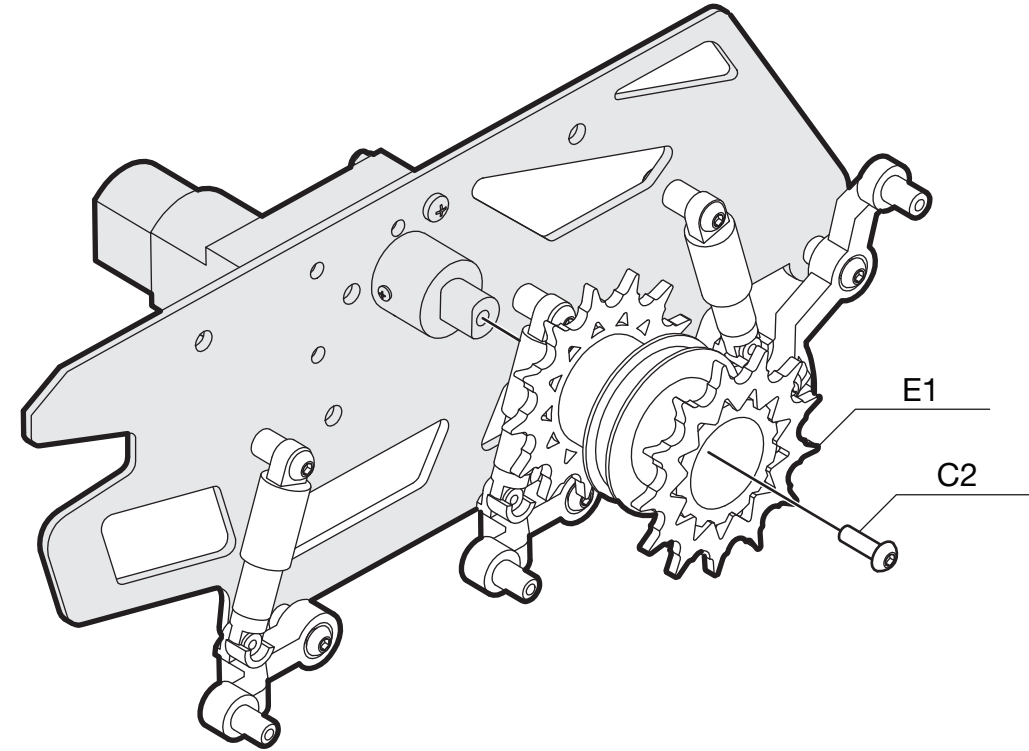
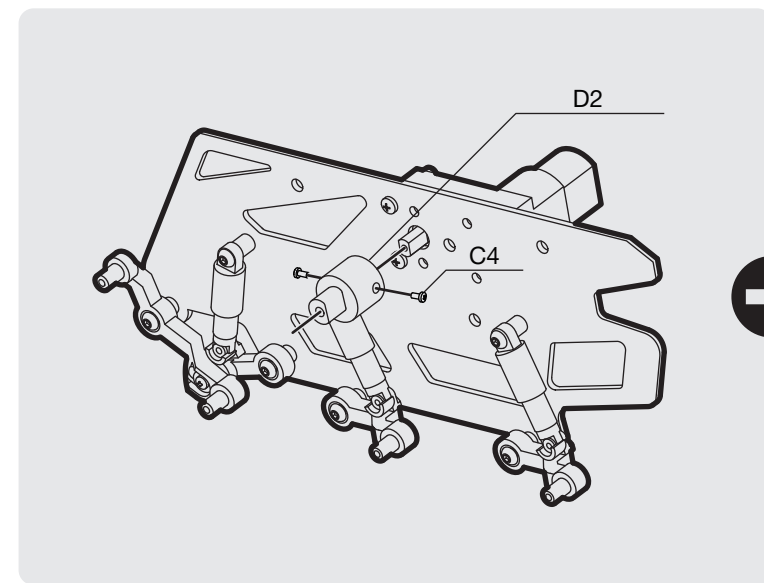
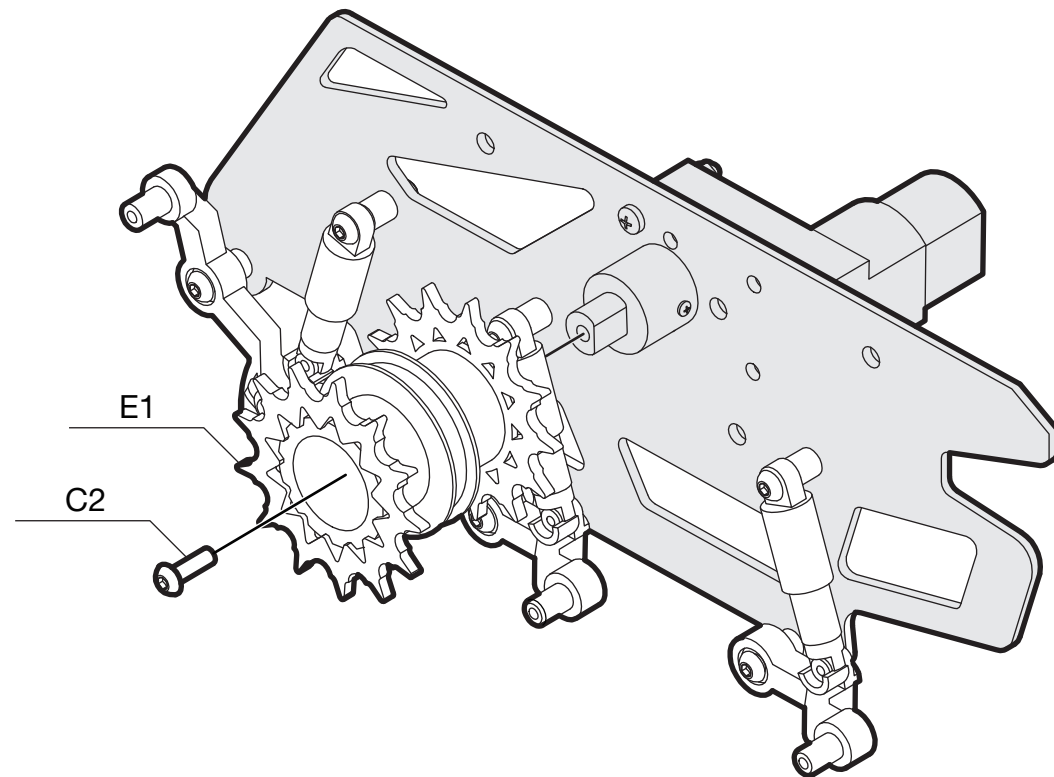
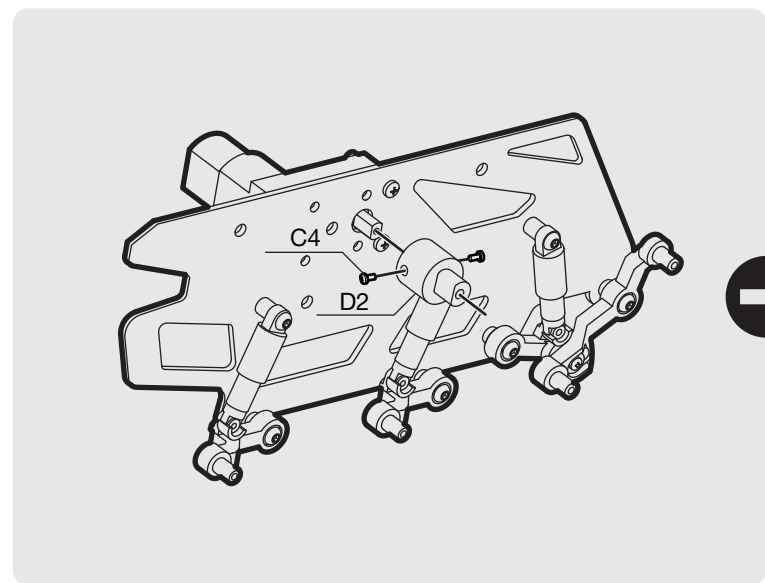


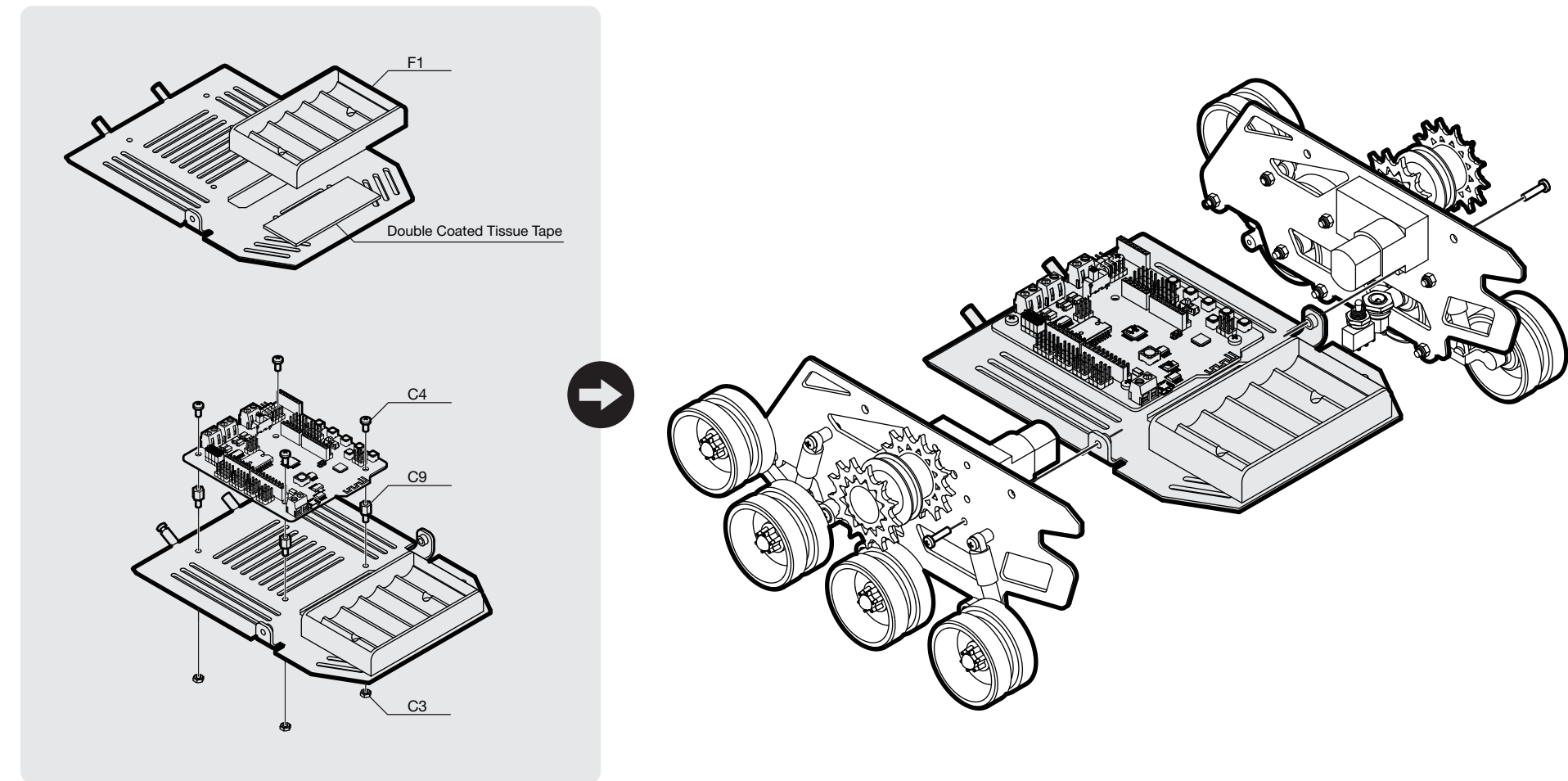
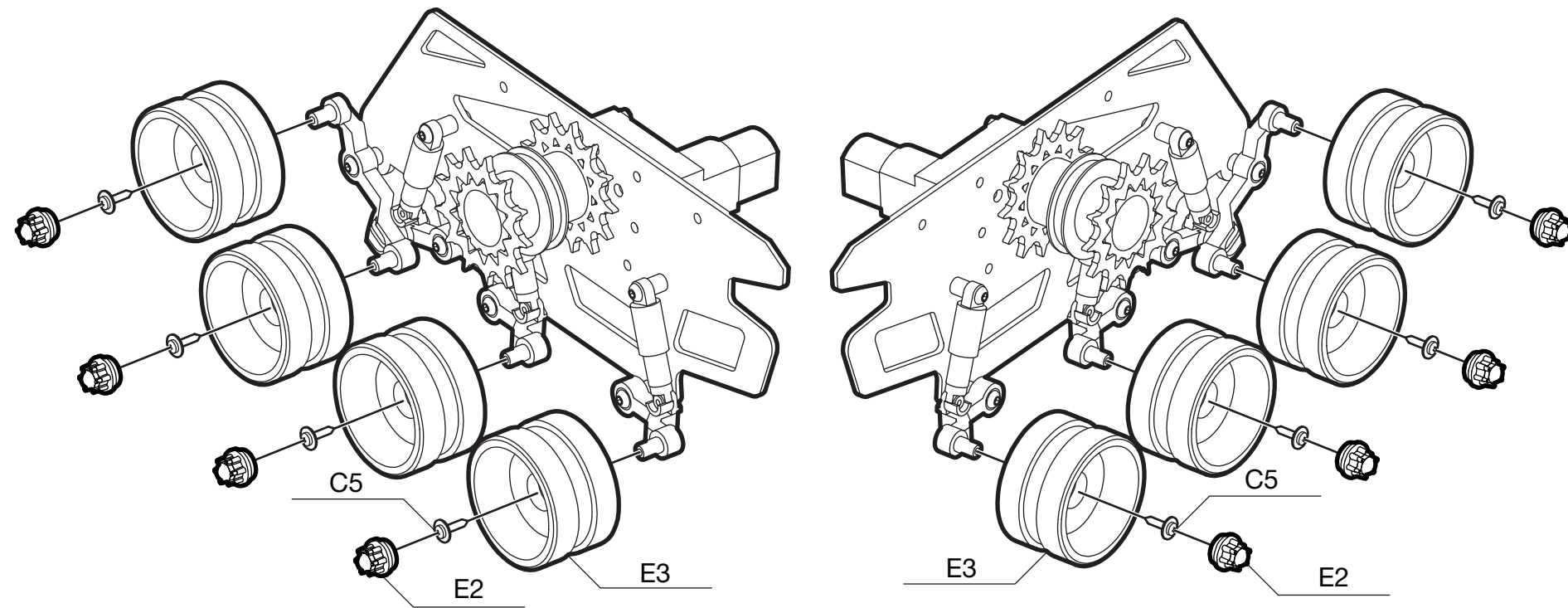
The protruding side of A3 should be facing outward.



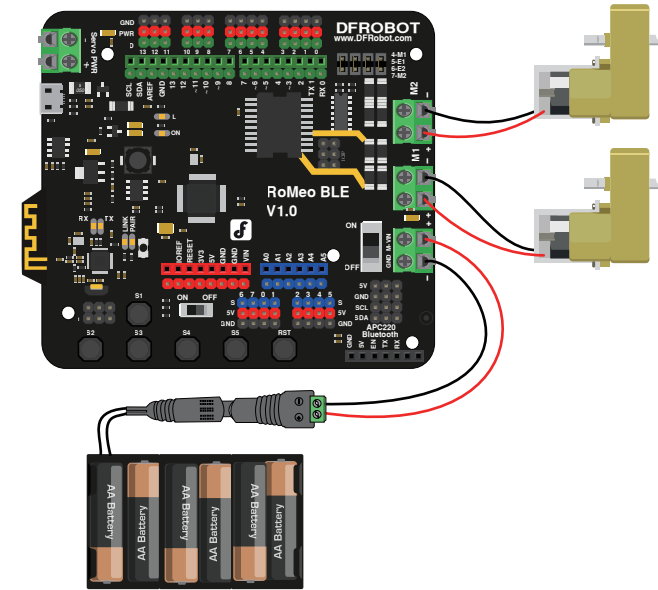
Make sure the aluminum side panel faces the correct direction.



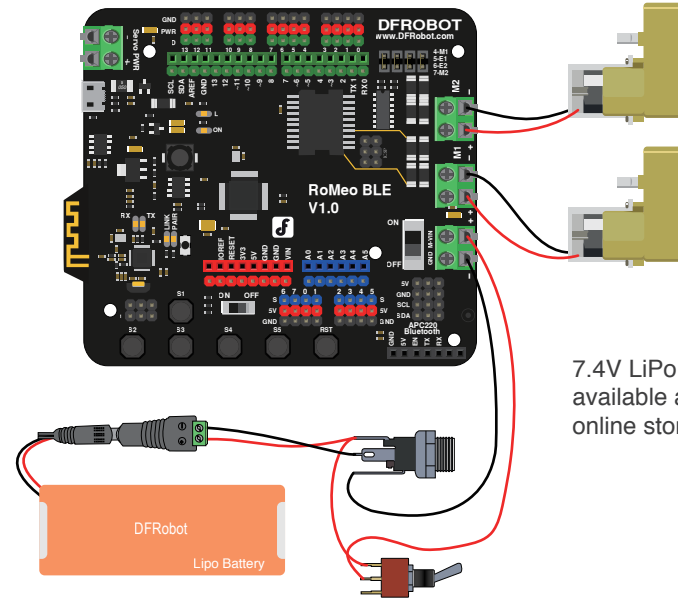




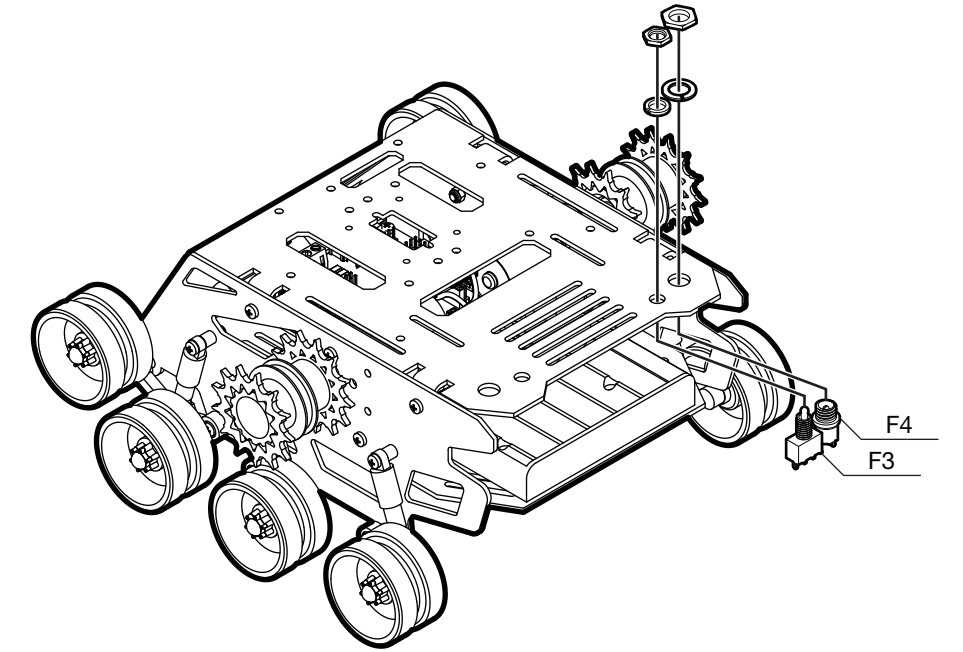
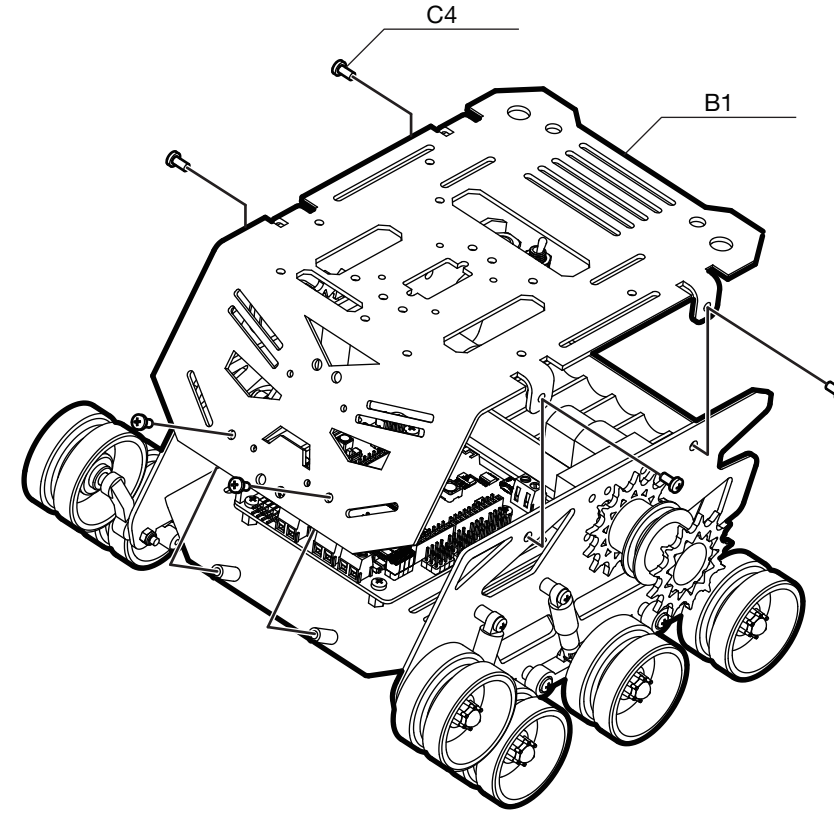
Option A: Battery holder power supply



Option B: Rechargeable battery power supply

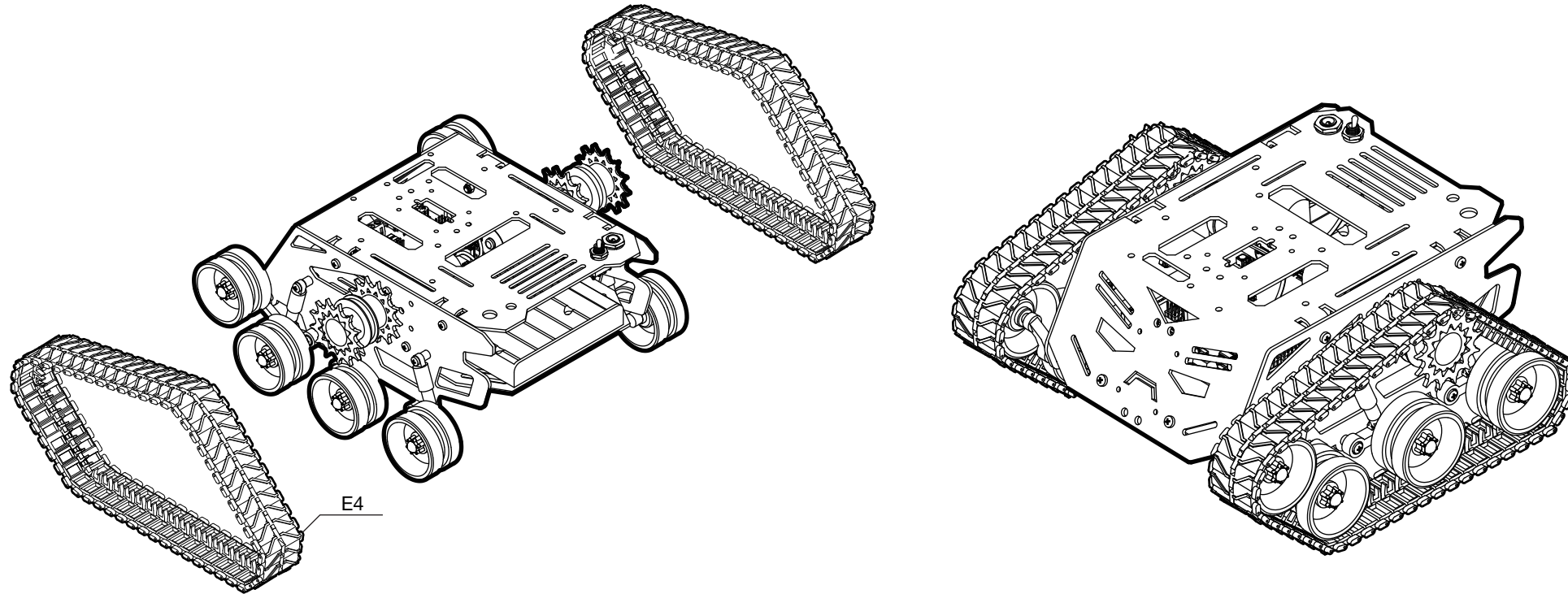


7.4V LiPo batteries are available at the DFRobot online store.



Refer to tutorials on DFRobot Wiki page for trouble shooting.
<https://www.dfrobot.com/wiki>

ROB0112



Recommended Products

Autonomous Obstacle Avoiding Robot

Romeo BLE Controller	(SKU: DFR0305)	X1
Goteck Micro Metal Gear Servo	(SKU: SER0011)	X1
URM37 Ultrasonic Sensor	(SKU: SEN0001)	X1
URM37 Ultrasonic Mounting Bracket	(SKU: FIT0006)	X1

WiFi Monitoring Robot

Romeo BLE Controller	(SKU: DFR0305)	X1
Hexa Base Rotate KIT	(SKU: ROB0114)	X1
DSS-P05 Standard Servo	(SKU: SER0020)	X2
Pan and Tilt Kit	(SKU: FIT0004)	X1
URM37 Ultrasonic Sensor	(SKU: SEN0001)	X1
URM Ultrasonic Mounting Bracket	(SKU: FIT0006)	X1
2.4G WIFI Camera	(SKU: SEN0022)	X1

Accessories

7.4V Lipo 2200mAh Battery	(SKU: FIT0137)	
Mounting Kit	(SKU: FIT0225)	
Jumper Wires 9" F/F	(SKU: FIT0030)	
Magnet Micro USB Cable	(SKU: FIT0351-OE)	

