

## Distributor - SAC-ASI-J-Y-B-M12FS - 1405621


Please be informed that the data shown in this PDF Document is generated from our Online Catalog. Please find the complete data in the user's documentation. Our General Terms of Use for Downloads are valid (<http://phoenixcontact.com/download>)



AS-Interface distributor with a high degree of protection, for a branch from two flat-ribbon conductors to one straight, A-coded, 4-pos. M12 socket



### Key Commercial Data

Packing unit	1 STK
GTIN	 4 046356 754941
GTIN	4046356754941

### Technical data

#### Mechanical characteristics

Number of positions	4
Connection method	AS-i penetration technique
Color	black
Tightening torque, min.	1.65 Nm
Degree of protection	IP65/IP67

#### Ambient conditions

Ambient temperature (operation)	-25 °C ... 75 °C (Plug / socket)
Ambient temperature (storage/transport)	-25 °C ... 85 °C
Degree of protection	IP65
	IP67

#### Material data

Housing material	PBT
Contact material	CuSn
Contact surface material	Au

#### Electrical characteristics

Rated voltage (III/3)	≤ 32 V
-----------------------	--------

# Distributor - SAC-ASI-J-Y-B-M12FS - 1405621

## Technical data

### Electrical characteristics

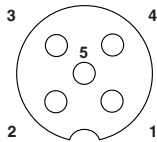
Rated current	≤ 4 A
---------------	-------

### Pin assignment

Position = wire color (signal) = position (optional)	1 (M12 socket)   AS-i+   3.1 (AS-i distributors)
	2 (M12 socket)   AUX-   4.2 (AS-i distributors)
	3 (M12 socket)   AS-i-   3.2 (AS-i distributors)
	4 (M12 socket)   AUX+   4.1 (AS-i distributors)
	5 (M12 socket)   N.C.

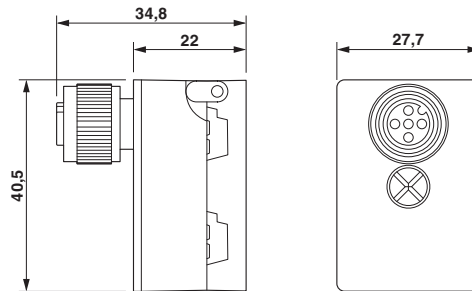
## Drawings

Schematic diagram



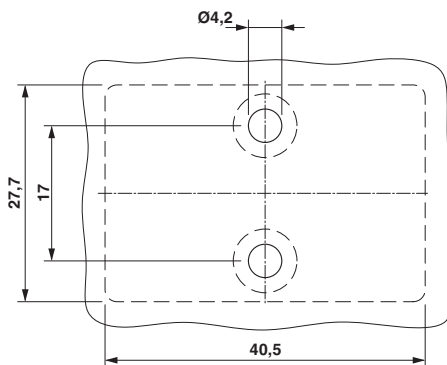
Pin assignment M12, PIN 1: AS-i +, PIN 2: AUX -, PIN 3: AS-i -, PIN 4: AUX +, PIN 5: Not used

Dimensional drawing

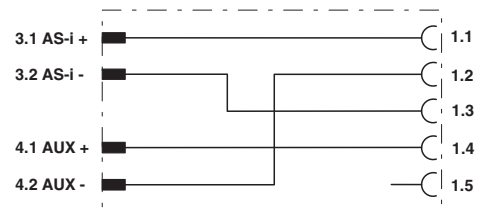


Distributor, AS-Interface

Dimensional drawing



Circuit diagram



Contact assignment of the AS-Interface distributor

Distance and position of the mounting holes

Phoenix Contact 2017 © - all rights reserved  
<http://www.phoenixcontact.com>

PHOENIX CONTACT GmbH & Co. KG  
Flachmarktstr. 8  
32825 Blomberg  
Germany  
Tel. +49 5235 300  
Fax +49 5235 3 41200  
<http://www.phoenixcontact.com>