



————— **US/UK** Page 1

————— **FR** Page 29

————— **DE** Seite 57

I A M S

**Models No. 0001 /
0011 / 0010**

Drawing No. LP0767
Version No. 104
Revision Date 15/07



IAMS 0001 / 0011 / 0010

CONTENTS

Warning!	2
Symbol identification.....	3
Safety instructions.....	3
How to dismantle the IAMS Devices	5
When front LED lights red / display shows AO.ER.....	5
Advanced features	6
Application	6
Technical characteristics	6
PGMMOD00 Display/programming front.....	7
Applications.....	8
Order codes	9
Electrical specifications.....	9
Visualisation of sensor error detection and input signal outside range	13
Sensor error detection limits.....	14
Error indications	14
connections.....	15
Block diagram	16
Setup / operating the function keys.....	17
Routing diagram.....	23
Routing diagram.....	26
Advanced settings (ADV.SET)	26
Scrolling help text in display line 3	27
Graphic depiction of relay action Setpoint	28
Graphic depiction of relay action Window.....	28



GENERAL

WARNING!

The IAMS devices are designed for connection to hazardous electric voltages.

Ignoring this warning can result in severe personal injury or mechanical damage.

To avoid the risk of electric shock and fire, the safety instructions of this manual must be observed and the guidelines followed. The specifications must not be exceeded, and the devices must only be applied as described in the following. Prior to the commissioning of the devices, this manual must be examined carefully.

Only qualified personnel (technicians) should install these devices. If the equipment is used in a manner not specified by the manufacturer, the protection provided by the equipment may be impaired.



**HAZARDOUS
VOLTAGE**

WARNING!

Until the devices are fixed, do not connect hazardous voltages to the devices.

The following operations should only be carried out on disconnected devices and under ESD safe conditions:

- General mounting, connection and disconnection of wires.
- Troubleshooting the devices.



Repair of the device must be done by Red Lion Controls only.



INSTALLATION

WARNING

To keep the safety distances, the relay contacts on the devices must not be connected to both hazardous and non-hazardous voltages at the same time.

The IAMS devices must be mounted on a DIN rail according to DIN 46277.



WARNING

Do not open the front plate of the devices as this will cause damage to the connector for the display / programming module PGMMOD00. The devices contain no DIP-switches or jumpers.

SYMBOL IDENTIFICATION



Triangle with an exclamation mark: Warning / demand. Potentially lethal situations.



The CE mark proves the compliance of the devices with the essential requirements of the directives.



The double insulation symbol shows that the devices are protected by double or reinforced insulation.

SAFETY INSTRUCTIONS

DEFINITIONS:

Hazardous voltages have been defined as the ranges: 75 to 1500 Volt DC, and 50 to 1000 Volt AC.

Technicians are qualified persons educated or trained to mount, operate, and also troubleshoot technically correct and in accordance with safety regulations.

Operators, being familiar with the contents of this manual, adjust and operate the knobs or potentiometers during normal operation.

RECEIPT AND UNPACKING:

Unpack the device without damaging it and make sure that the manual always follows the device and is always available. The packing should always follow the device until this has been permanently mounted.

Check at the receipt of the device whether the type corresponds to the one ordered.

ENVIRONMENT:

Avoid direct sunlight, dust, high temperatures, mechanical vibrations and shock, as well as rain and heavy moisture. If necessary, heating in excess of the stated limits for ambient temperatures should be avoided by way of ventilation.

All devices fall under Installation Category II, Pollution Degree 1, and Insulation Class II.

MOUNTING:

Only technicians who are familiar with the technical terms, warnings, and instructions in the manual and who are able to follow these should connect the devices.

Should there be any doubt as to the correct handling of the devices, please contact your local distributor or, alternatively, **Red Lion Controls Worldwide Headquarters**, 20 Willow Springs Circle, York, PA 17406 USA, Phone: +1 (717) 767-6511, Fax: +1 (717) 764-0839

Mounting and connection of the devices should comply with national legislation for mounting of electric materials, i.a. wire cross section, protective fuse, and location. Descriptions of input / output and supply connections are shown in the block diagram and side label.

The following apply to fixed hazardous voltages-connected devices:

The max. size of the protective fuse is 10 A and, together with a power switch, it should be easily accessible and close to the device. The power switch should be marked with a label indicating that it will switch off the voltage to the device.

Year of manufacture can be taken from the first two digits in the serial number.

UL INSTALLATION REQUIREMENTS:

Use 60/75°C copper conducters only

For use only in pollution degree 2 or better

Max. ambient temperature..... 60°C

Max. wire size..... AWG 26-14

UL file number..... E324843

CALIBRATION AND ADJUSTMENT:

During calibration and adjustment, the measuring and connection of external voltages must be carried out according to the specifications of this manual. The technician must use tools and instruments that are safe to use.

NORMAL OPERATION:

Operators are only allowed to adjust and operate devices that are safely fixed in panels, etc., thus avoiding the danger of personal injury and damage. This means there is no electrical shock hazard, and the device is easily accessible.

CLEANING:

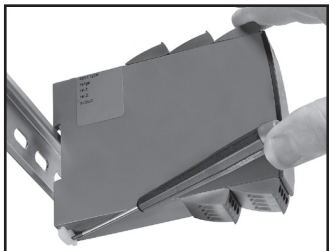
When disconnected, the devices may be cleaned with a cloth moistened with distilled water.

LIABILITY:

To the extent that the instructions in this manual are not strictly observed, the customer cannot advance a demand against Red Lion that would otherwise exist according to the concluded sales agreement.

HOW TO DISMANTLE THE IAMS DEVICES

First, remember to demount the connectors with hazardous voltages.



Picture 1:

Detach the device from the DIN rail by lifting the bottom lock.

When front LED lights red / display shows AO.ER

IAMS0001 and IAMS0011 are designed with a high safety level. Therefore, a continuous measurement of the outgoing current is carried out on a 4...20 mA output signal. If the current output signal is different from the internally calculated output value or the current output is 0 (due to e.g. an open circuit breakage), an error mode switches on the red front LED and disables the relays. This function is not a default option but must be actively selected via the programming menu (S4...20 & S20...4).

The error mode can only be reset by switching off and then switching on the supply voltage to the device.

IAMS 0001 / 0011 / 0010

- *Input for RTD, TC, Ohm, potentiometer, mA and V*
- *2-wire supply > 16 V*
- *FM-approved for installation in Div. 2*
- *Output for current, voltage and 2 relays*
- *Universal AC or DC supply*

Advanced features

- Programmable via detachable display front (PGMMOD00), process calibration, signal and relay simulation, password protection, error diagnostics and selection of help text in several languages.

Application

- Linearised, electronic temperature measurement with RTD or TC sensor.
- Conversion of linear resistance variation to a standard analogue current / voltage signal, i.e. from solenoids and butterfly valves or linear movements with attached potentiometer.
- Power supply and signal isolator for 2-wire transmitters.
- Process control with 2 pairs of potential-free relay contacts and analogue output.
- Galvanic separation of analogue signals and measurement of floating signals.
- The IAMS0001 and IAMS0011 have been designed according to strict safety requirements and are thus suitable for application in SIL 2 installations.

Technical characteristics

- When the devices are used in combination with the PGMMOD00 display / programming front, all operational parameters can be modified to suit any application. As the devices are designed with electronic hardware switches, it is not necessary to open them for setting of DIP-switches.
- A green / red front LED indicates normal operation and malfunction. A yellow LED is ON for each active output relay.
- Continuous check of vital stored data for safety reasons.
- 4-port 2.3 kVAC galvanic isolation.

PGMMOD00 DISPLAY / PROGRAMMING FRONT



Functionality

The simple and easily understandable menu structure and the explanatory help texts guide you effortlessly and automatically through the setup steps, thus making the product very easy to use. Functions and setup options are described in the section "Setup / operating the function keys".

Application

- Communications interface for modification of operational parameters in the IAMS devices.
- Can be moved from one device to another of the same type and download the setup of the first device to subsequent devices.
- Fixed display for readout of process data and status.

Technical characteristics

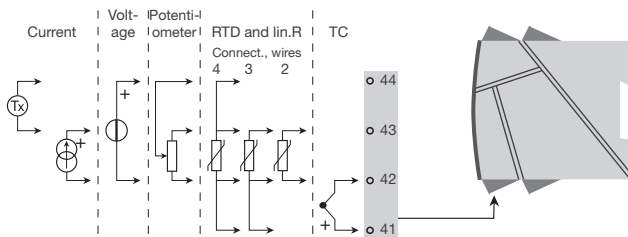
- LCD display with 4 lines; Line 1 (H=.2 inch/5.57 mm) shows input signal, line 2 (H=.2 inch/3.33 mm) shows units, line 3 (H=.13 inch/3.33 mm) shows analogue output or tag no. and line 4 shows communication and relay status.
- Programming access can be blocked by assigning a password. The password is saved in the device in order to ensure a high degree of protection against unauthorised modifications to the setup.

Mounting / installation

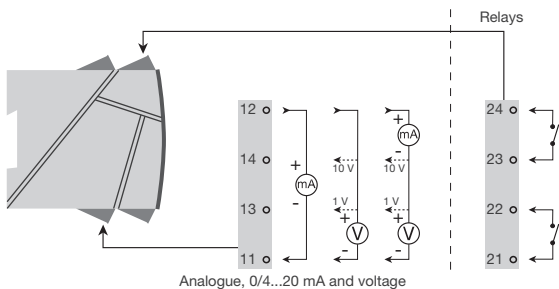
- Click PGMMOD00 onto the front of the device.

APPLICATIONS

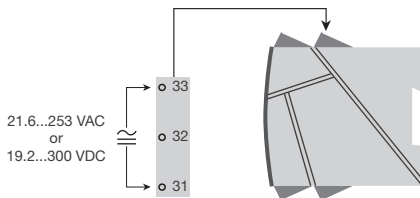
Input signals:



Output signals:



Supply:



Order codes

IAMS0001	Universal transmitter with analog output
IAMS0011	Universal transmitter with analog output / 2 relays
IAMS0010	Universal limit switch with 2 relays
PGMMOD00	Display / programming module

Electrical specifications

Specifications range:

-20°C to +60°C

Common specifications:

Supply voltage, universal	21.6...253 VAC, or 19.2...300 VDC
Max. consumption.....	≤ 2.5 W
Fuse.....	400 mA SB / 250 VAC
Isolation voltage, test / operation	2.3 kVAC / 250 VAC
Communications interface	Programming front PGMMOD00
Signal / noise ratio	Min. 60 dB (0...100 kHz)
Response time (0...90%, 100...10%):	
Temperature input.....	≤ 1 s
mA / V input.....	≤ 400 ms
Calibration temperature.....	20...28°C

Display resolution: The temperature display automatically changes to tenths with values less than 1000 degrees.

Accuracy, the greater of the general and basic values:

General values		
Input type	Absolute accuracy	Temperature coefficient
All	≤ ±0.1% of span	≤ ±0.01% of span / °C

Basic values		
Input type	Basic accuracy	Temperature coefficient
mA	$\leq \pm 4 \mu\text{A}$	$\leq \pm 0.4 \mu\text{A} / ^\circ\text{C}$
Volt	$\leq \pm 20 \mu\text{V}$	$\leq \pm 2 \mu\text{V} / ^\circ\text{C}$
Pt100	$\leq \pm 0.2^\circ\text{C}$	$\leq \pm 0.01^\circ\text{C} / ^\circ\text{C}$
Linear resistance	$\leq \pm 0.1 \Omega$	$\leq \pm 0.01 \Omega / ^\circ\text{C}$
Potentiometer	$\leq \pm 0.1 \Omega$	$\leq \pm 0.01 \Omega / ^\circ\text{C}$
TC type: E, J, K, L, N, T, U	$\leq \pm 1^\circ\text{C}$	$\leq \pm 0.05^\circ\text{C} / ^\circ\text{C}$
TC type: R, S, W3, W5, LR	$\leq \pm 2^\circ\text{C}$	$\leq \pm 0.2^\circ\text{C} / ^\circ\text{C}$
TC type: B 85...200°C	$\leq \pm 4^\circ\text{C}$	$\leq \pm 0.4^\circ\text{C} / ^\circ\text{C}$
TC type: B 200...1820°C	$\leq \pm 2^\circ\text{C}$	$\leq \pm 0.2^\circ\text{C} / ^\circ\text{C}$

EMC immunity influence $< \pm 0.5\%$ of span

Extended EMC immunity:

NAMUR NE 21, A criterion, burst $< \pm 1\%$ of span

Auxiliary supplies:

2-wire supply (terminal 44...43)..... 25...16 VDC / 0...20 mA

Max. wire size..... 1 x 2.5 mm² stranded wire

Screw terminal torque..... 0.5 Nm

Relative humidity..... $< 95\%$ RH (non-cond.)

Dimensions, without display front (HxBxD) .. 109 x 23.5 x 104 mm

Dimensions, with display front (HxBxD)..... 109 x 23.5 x 116 mm

Protection degree (enclosure / terminals) ... IP50 / IP20

Weight 170 g / 185 g with PGMOD00

RTD, linear resistance and potentiometer input:

Input type	Min. value	Max. value	Standard
Pt100	-200°C	+850°C	IEC60751
Ni100	-60°C	+250°C	DIN 43760
Lin. R	0 Ω	10000 Ω	-
Potentiometer	10 Ω	100 k Ω	-

Input for RTD types:

Pt10, Pt20, Pt50, Pt100, Pt200, PT250, Pt300, Pt400, Pt500, Pt1000
Ni50, Ni100, Ni120, Ni1000

Cable resistance per wire (max.), RTD..... 50 Ω
 Sensor current, RTD..... Nom. 0.2 mA
 Effect of sensor cable resistance
 (3- / 4-wire), RTD..... < 0.002 Ω / Ω
 Sensor error detection, RTD Yes
 Short circuit detection, RTD..... < 15 Ω

TC input:

Type	Min. value	Max. value	Standard
B	0°C	+1820°C	IEC 60584-1
E	-100°C	+1000°C	IEC 60584-1
J	-100°C	+1200°C	IEC 60584-1
K	-180°C	+1372°C	IEC 60584-1
L	-200°C	+900°C	DIN 43710
N	-180°C	+1300°C	IEC 60584-1
R	-50°C	+1760°C	IEC 60584-1
S	-50°C	+1760°C	IEC 60584-1
T	-200°C	+400°C	IEC 60584-1
U	-200°C	+600°C	DIN 43710
W3	0°C	+2300°C	ASTM E988-90
W5	0°C	+2300°C	ASTM E988-90
LR	-200°C	+800°C	GOST 3044-84

Cold junction compensation (CJC)
 via internally mounted sensor..... < $\pm 1,0$ °C

Sensor error detection, all TC types Yes

Sensor error current:

when detecting Nom. 2 μ A

else..... 0 μ A

Current input:

Measurement range 0...20 mA

Programmable measurement ranges..... 0...20 and 4...20 mA

Input resistance @ 20°C..... Max. 70 Ω

(20 Ω + PTC 50 Ω thermistor)

Sensor error detection:

Loop break 4...20 mA..... Yes

Voltage input:

Measurement range 0...12 VDC

Programmable measurement ranges..... 0...1 / 0.2...1 / 0...5 / 1...5 /

0...10 and 2...10 VDC

Input resistance..... Nom. 10 M Ω

Current output:

Signal range (span).....	0...20 mA
Programmable signal ranges	0...20 / 4...20 / 20...0 and 20...4 mA
Load (max.).....	20 mA / 800 Ω / 16 VDC
Load stability	≤ 0.01% of span / 100 Ω
Sensor error detection	0 / 3.5 / 23 mA / none
NAMUR NE 43 Upscale / Downscale	23 mA / 3.5 mA
Output limitation:	
on 4...20 and 20...4 mA signals	3.8...20.5 mA
on 0...20 and 20...0 mA signals	0...20.5 mA
Current limit.....	≤ 28 mA

Voltage output:

Signal range	0...10 VDC
Programmable signal ranges	0...1 / 0.2...1 / 0...10 / 0...5 / 1...5 / 2...10 / 1...0 / 1...0.2 / 5...0 / 5...1 / 10...0 og 10...2 V
Load (min.).....	500 kΩ

Relay outputs:

Relay functions.....	Setpoint, Window, Sensor error, Power and Off
Hysteresis.....	0.1...25% of span or display range
On and Off delay	0...3600 s
Sensor error detection	Break / Make / Hold
Max. voltage.....	250 VRMS
Max. current	2 A / AC or 1 A / DC
Max. AC power	500 VA

Ex / I.S. approval:

FM, applicable in.....	Class I, Div. 2, Group A, B, C, D Class I, Div. 2, Group IIC Zone 2
Max. ambient temperature for T5	60°C

Observed authority requirements:**Standard:**

EMC 2004/108/EC	
Emission and immunity.....	EN 61326-1
LVD 2006/95/EC.....	EN 61010-1
FM	3600, 3611, 3810 and ISA 82.02.01
UL, Standard for Safety	UL 508

of span = of the currently selected measurement range

Visualisation of sensor error detection and input signal outside range

Sensor error check:	
Setup	Sensor error detection:
R1, ERR.ACT=NONE - R2, ERR.ACT=NONE, OUT.ERR=NONE	OFF
Else:	ON

Outside range readout (IN.LO, IN.HI): If the valid range of the A/D converter or the polynomial is exceeded			
Input	Range	Readout	Limit
VOLT	0...1 V / 0.2...1 V	IN.LO	< -25 mV
		IN.HI	> 1.2 V
	0...10 V / 2...10 V	IN.LO	< -25 mV
		IN.HI	> 12 V
CURR	0...20 mA / 4...20 mA	IN.LO	< -1.05 mA
		IN.HI	> 25.05 mA
LIN.R	0...800 Ω	IN.LO	< 0 Ω
		IN.HI	> 1075 Ω
	0...10 k Ω	IN.LO	< 0 Ω
		IN.HI	< 110 k Ω
POTM	-	IN.LO	< -0.5 %
		IN.HI	> 100.5 %
TEMP	TC / RTD	IN.LO	< temperature range -2°C
		IN.HI	> temperature range +2°C

Display readout below min.- / above max. (-1999, 9999):			
Input	Range	Readout	Limit
All	All	-1999	Display readout <-1999
		9999	Display readout >9999

Sensor error detection limits

Sensor error detection (SE.BR, SE.SH):			
Input	Range	Readout	Limit
CURR	Loop break (4..20 mA)	SE.BR	<= 3.6 mA; > = 21 mA
POTM	All, SE.BR on all 3-wire	SE.BR	> ca. 126 k Ω
LIN.R	0...800 Ω	SE.BR	> ca. 875 Ω
	0...10 k Ω	SE.BR	> ca. 11 k Ω
TEMP	TC	SE.BR	> ca. 750 k Ω / (1.25 V)
	RTD, 2-, 3-, and 4-wire	SE.BR	> ca. 15 k Ω
	No SE.SH for Pt10, Pt20 and Pt50	SE.SH	< ca. 15 Ω

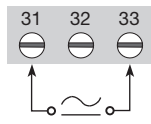
Error indications

Readout at hardware error		
Error search	Readout	Error cause
Test of internal CJC sensor	CJ.ER	CJC sensor defect or temperature outside range
Checksum test of the setup in FLASH	FL.ER	Error in FLASH
Check measurement of analogue output current	AO.ER	1) Incorrect current output (only S4...20/S20...4 mA)
Communications test PGMMOD00 / device	NO.CO	Connection error
Check that input signal matches input setup	IN.ER	1) Error levels on input
Check that saved setup in PGMMOD00 matches device	TY.ER	Setup mismatch

! Error indications in the display flash once per second. The help text explains the error.
 1) The error is reset by switching off and then switching on the supply voltage to the device.

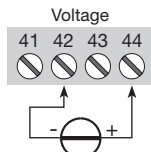
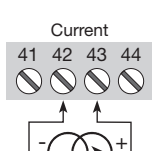
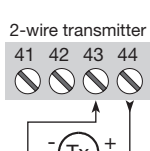
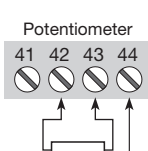
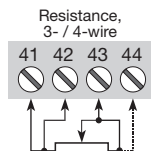
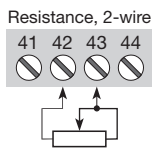
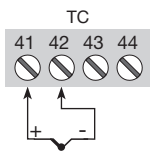
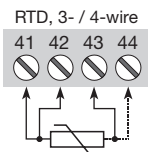
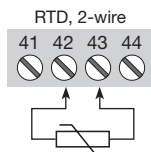
CONNECTIONS

Supply:



If DC power is used,
polarity does not matter

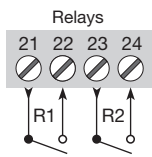
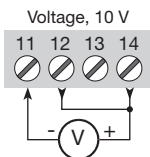
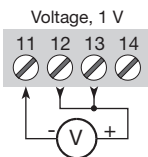
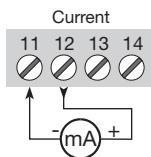
Inputs:



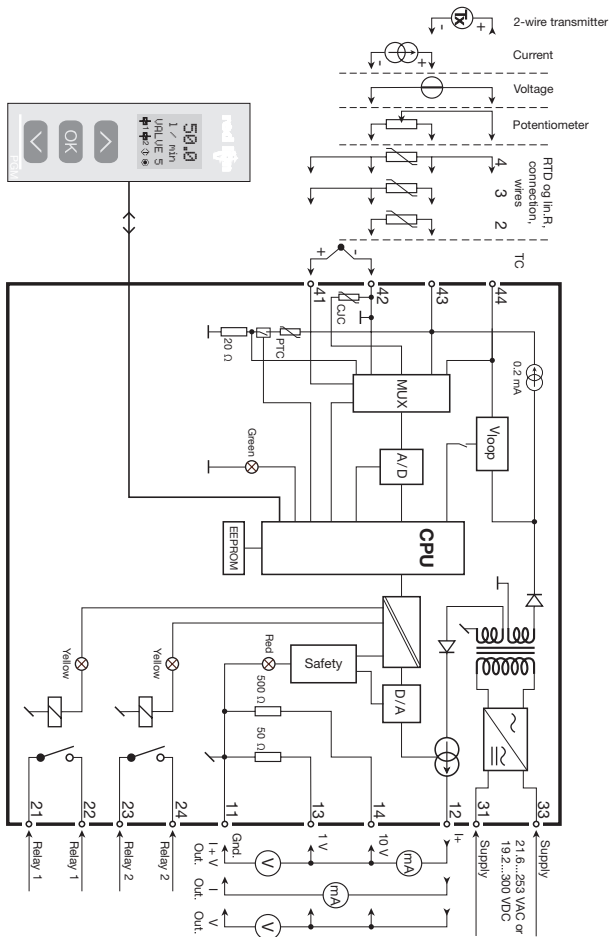
Current input
needing IAMS power

Self or externally
powered transmitter

Outputs:



BLOCK DIAGRAM






SETUP / OPERATING THE FUNCTION KEYS

Documentation for routing diagram.


In general:

When setting up the IAMS devices, you will be guided through all parameters and you can choose the settings which fit the application. For each menu there is a scrolling help text which is automatically shown in line 3 on the display.

Setup is carried out by use of the 3 function keys:

-  will increase the numerical value or choose the next parameter
-  will decrease the numerical value or choose the previous parameter
-  will save the chosen value and proceed to the next menu



When setup is completed, the display will return to the default state 1.0.


Pressing and holding  will return to the previous menu or return to the default state (1.0) without saving the changed values or parameters.


If no key is activated for 1 minute, the display will return to the default state (1.0) without saving the changed values or parameters.

Further explanations:

Fast setpoint adjustment and relay test: These menus allow you to make a quick setpoint change and relay test when the FastSet menu is activated. This function can only be activated when the relays are set for setpoint function and are controlled by a setpoint.

Pressing  and  simultaneously will activate a relay test and change the state of the relay.

Pressing  will save the setpoint change.

Holding down  for more than 1 second will return the unit to the default state without saving the setpoint change.

Password protection: Programming access can be blocked by assigning a password. The password is saved in the device in order to ensure a high degree of protection against unauthorised modifications to the setup. Default password 2008 allows access to all setup modules.

Signal and sensor error info via PGMMOD00

Sensor error (see limits in the table) is displayed as SE.BR (sensor break) or SE.SH (sensor short). Signals outside the selected range (not sensor error, see table for limits) are displayed as IN.LO indicating low input signal or IN.HI indicating high input signal. The error indication is displayed in line 3 as text and at the same time the backlight flashes. Line 4 of the display is a status line which displays status of relay 1 and relay 2, COM (flashing bullet) indicating correct functioning of PGMMOD00 and arrow up/down which indicates tendency readout of the input signal. If the figure 1 or figure 2 flashes, the unit has detected that the setpoint has been exceeded and that the relay is in “delay” mode. When the delay time has passed and the relay makes/breaks, the relay sign either displays or disappears.

Signal and sensor error indication without display front

Status of the unit can also be read from the red/green LED in the front of the device.

Green flashing LED 13 Hz indicates normal operation.

Green flashing LED 1 Hz indicates sensor error.

Steady red LED indicates internal error.

Relay functions

5 different settings of relay function can be selected.

Setpoint: The relay trips at a setpoint value with hysteresis.

Window: The relay has a window that is defined by a low and a high setpoint. On both sides of the window the relay has the same status.

Error function: The relay is activated by sensor error.

Power: The relay is activated as long as the power is on.

Off: The relay is deactivated.

Increasing/decreasing: The relays can be set to activate at increasing or decreasing input signal.

Delay: An ON and an OFF delay can be set on both relays in the range 0...3600 s.



Hysteresis: A hysteresis can be set at 0.1...25% of the span or of the selected display range.

Advanced functions

The unit gives access to a number of advanced functions which can be reached by answering "Yes" to the point "adv.set".

Display setup: Here you can adjust the brightness contrast and the backlight. Setup of TAG numbers with 6 alphanumeric. Selection of functional readout in line 3 of the display - choose between readout of analogue output or tag no.

Two-point process calibration: The unit can be process-calibrated in 2 points to fit a given input signal. A low input signal (not necessarily 0%) is applied and the actual value is entered. Then a high signal (not necessarily 100%) is applied and the actual value is entered. If you accept to use the calibration, the unit will work according to this new adjustment. If you later reject this menu point or choose another type of input signal the unit will return to factory calibration.

Process simulation function: If you agree to the point "EN.SIM" it is possible to simulate an input signal by means of the arrow keys and thus control the output signal up or down. When you finalise the point with , the unit returns to normal mode. The following point allows you to activate relay 1 and relay 2 by means of the arrow-keys up/down. You must exit the menu by pressing  (no time-out).

Password: Here you can choose a password between 0000 and 9999 in order to protect the unit against unauthorised modifications to the setup. The unit is delivered default without password. If you have locked the unit with a password by mistake, you can always open the menu by using the master password 2008.

Language: In the menu "lang.setup" you can choose between 7 different language versions of help texts that will appear in the menu. You can choose between UK, DE, FR, IT, ES, SE and DK.

Auto diagnosis

The unit performs an advanced auto diagnosis of the internal circuits.

The following possible errors can be displayed in the front unit PGMMOD00.

CJ.ER - CJC sensor defect or CJC temperature outside range

FL.ER - Flash error

AO.ER - No load on the current output (only for S4...20 mA / S20...4 mA)

NO.CO - Connection error

IN.ER - Error levels on input

TY.ER - Setup in PGMMOD00 does not match this product type or firmware revision

Selection of units

After choosing the input signal type you can choose which process units should be displayed in text line 2 (see table). By selection of temperature input the process value is always displayed in Celsius or Fahrenheit. This is selected in the menu point after selection of temperature input.

Safety readback

When the device is delivered with default configuration, the SIL function is disabled. The safety readback function (loop surveillance) can be selected in the menu O.RANGE, thus enabling the device to run in SIL mode. In order to enable the SIL functionality, the menu item S4...20 mA or S20...4 mA must be selected. Please note, however, that when safety readback is enabled, a sensor error will be indicated as an error on the analogue output signal.

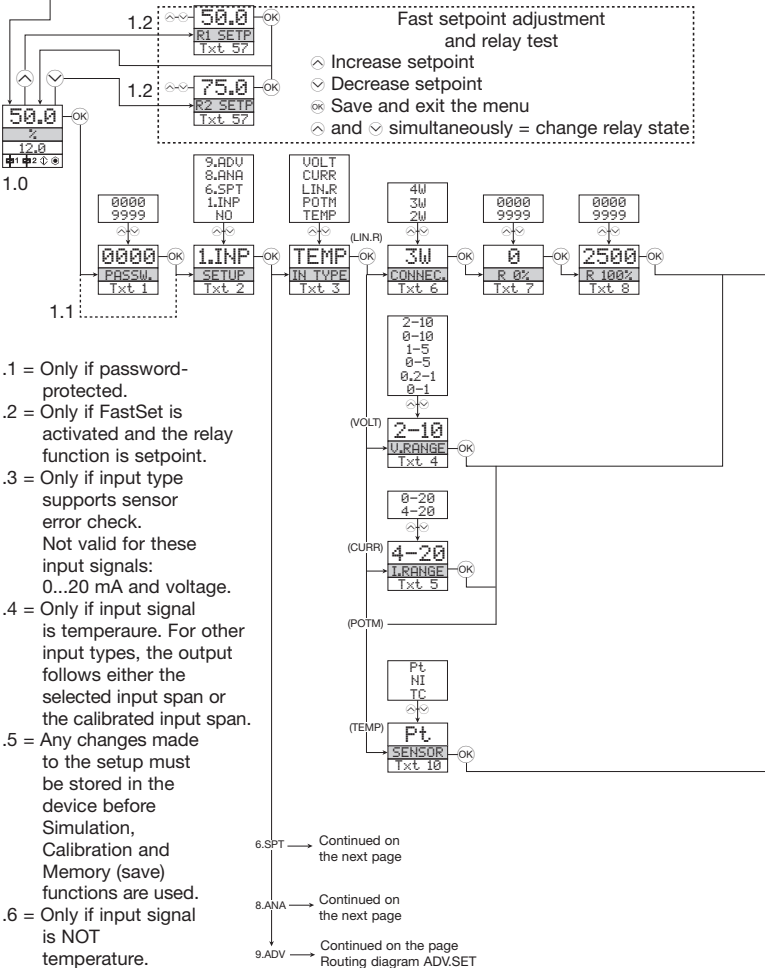
Memory

In the memory menu you can save the configuration of the device in the PGMMOD00, and then move the PGMMOD00 onto another device of the same type / firmware version and download the configuration in the new device.

The display module reads the unit when plugged into the unit.

- | | |
|---------------------|---|
| No setup: | Loads to display module and exits. |
| Save memory (SAVE): | Saves the unit's program into the display module. |
| Load memory (LOAD): | Loads previously saved program in the display module to the unit. |

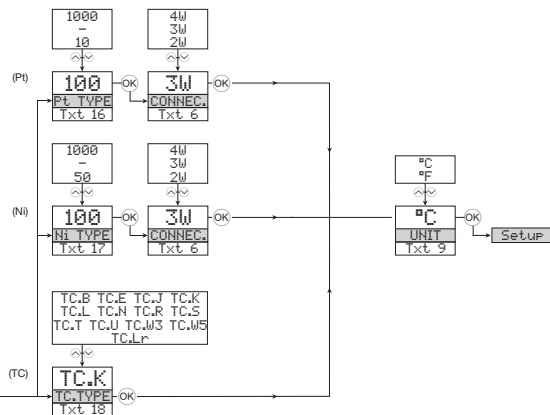
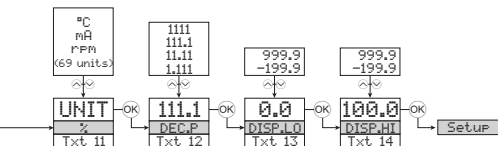
Power up



ROUTING DIAGRAM

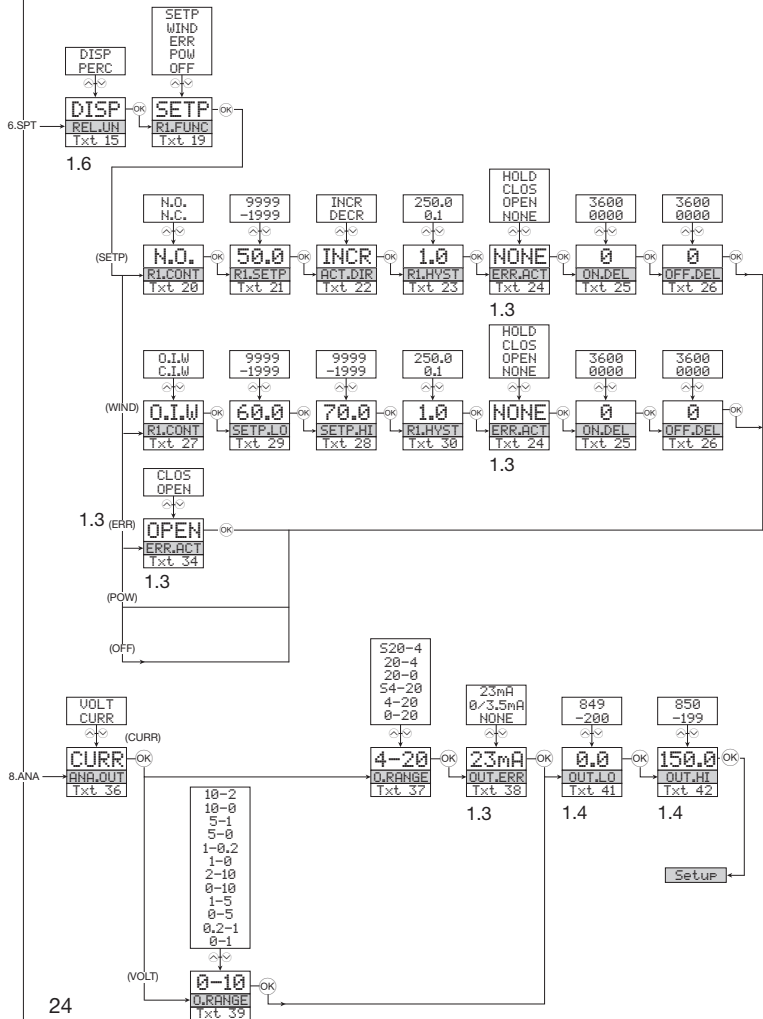
If no key is activated for 1 minute, the display will return to the default state 1.0 without saving setup changes (except INP.SIM and REL.SIM).

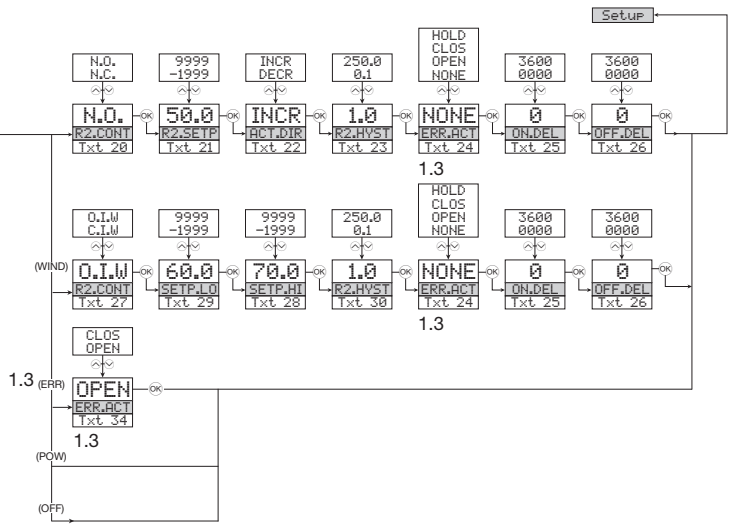
- ⬆ Increase value / choose next parameter
- ⬇ Decrease value / choose previous parameter
- ⊙ Save the chosen value and proceed to the next menu
- Hold ⊙ Back to previous menu / return to menu 1.0 without saving



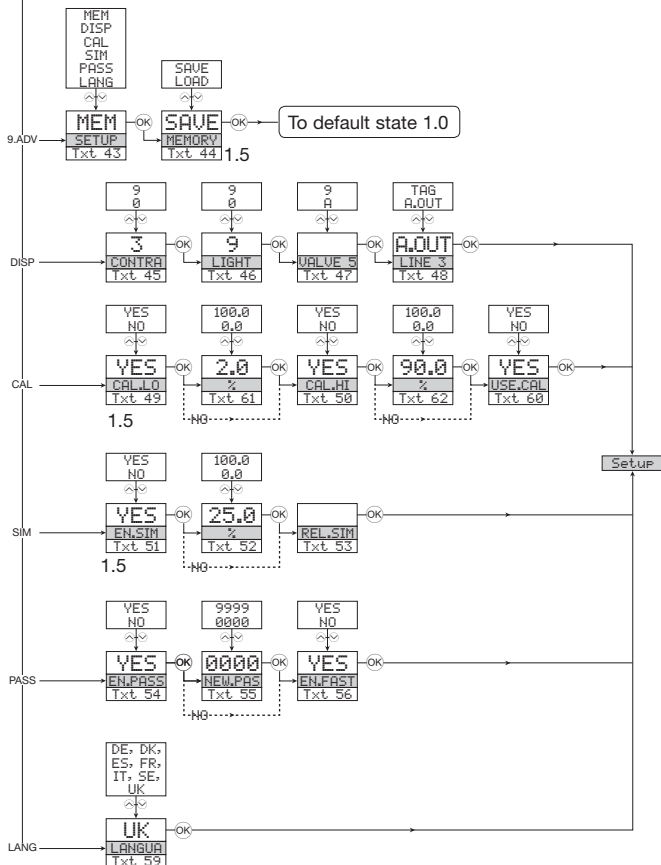
Selectable UNITS:

°C	ft/min	Hz	kg	l/min	m ³ /h	mol	pH	uS
°F	ft/s	in	kJ	l/s	m ³ /min	MPa	rPM	U
%	g	in/h	kPa	m	mA	MV	s	W
A	gal/h	in/min	kU	m/h	mbar	MWh	S	Wh
bar	gal/min	in/s	kW	m/min	mils	MW	t	yd
cm	GW	ips	kWh	m/s	min	N	t/h	[blank]
ft	hp	K	l	m/s ²	mm	Ohm	uA	
ft/h	hPa	kA	l/h	m ³	mm/s	Pa	um	





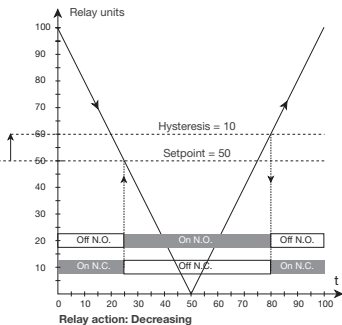
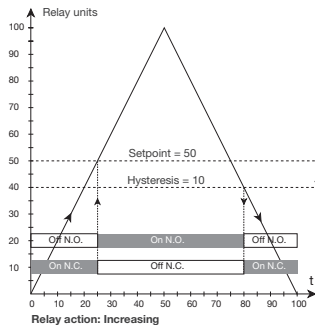
ROUTING DIAGRAM ADVANCED SETTINGS (ADV.SET)



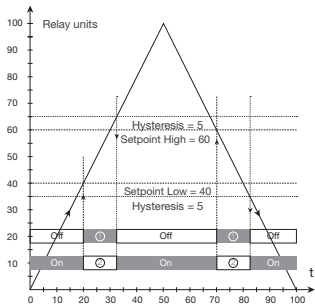
SCROLLING HELP TEXT IN DISPLAY LINE 3

- [01] Set correct password
- [02] Select setup module or NO to store and exit
- [03] Select temperature input
 - Select potentiometer input
 - Select linear resistance input
 - Select current input
 - Select voltage input
- [04] Select 0.0-1 V input range
 - Select 0.2-1 V input range
 - Select 0-5 V input range
 - Select 1-5 V input range
 - Select 0-10 V input range
 - Select 2-10 V input range
- [05] Select 0-20 mA input range
 - Select 4-20 mA input range
- [06] Select 2-wire sensor connection
 - Select 3-wire sensor connection
 - Select 4-wire sensor connection
- [07] Set resistance value low
- [08] Set resistance value high
- [09] Select Celsius as temperature unit
 - Select Fahrenheit as temperature unit
- [10] Select TC sensor type
 - Select Ni sensor type
 - Select Pt sensor type
- [11] Select display unit
- [12] Select decimal point position
- [13] Set display range low
- [14] Set display range high
- [15] Set relays in % of input range
 - Set relays in display units
- [16] Select Pt10 as sensor type
 - Select Pt20 as sensor type
 - Select Pt50 as sensor type
 - Select Pt100 as sensor type
 - Select Pt200 as sensor type
 - Select Pt250 as sensor type
 - Select Pt300 as sensor type
 - Select Pt400 as sensor type
 - Select Pt500 as sensor type
 - Select Pt1000 as sensor type
- [17] Select Ni50 as sensor type
 - Select Ni100 as sensor type
 - Select Ni120 as sensor type
 - Select Ni1000 as sensor type
- [18] Select TC-B as sensor type
 - Select TC-E as sensor type
 - Select TC-J as sensor type
 - Select TC-K as sensor type
 - Select TC-L as sensor type
 - Select TC-N as sensor type
 - Select TC-R as sensor type
 - Select TC-S as sensor type
 - Select TC-T as sensor type
 - Select TC-U as sensor type
 - Select TC-W3 as sensor type
 - Select TC-W5 as sensor type
 - Select TC-Lr as sensor type
- [19] Select OFF function - relay is permanently off
 - Select POWER function - relay indicates power status OK
 - Select ERROR function - relay indicates sensor error only
 - Select WINDOW function - relay is controlled by 2 setpoints
 - Select SETPOINT function - relay is controlled by 1 setpoint
- [20] Select Normally Closed contact
 - Select Normally Open contact
- [21] Set relay setpoint
- [22] Activate relay on decreasing signal
- [23] Activate relay on increasing signal
- [23] Set relay hysteresis
- [24] No error action - undefined status at error
 - Open relay contact at error
 - Close relay contact at error
 - Hold relay status at error
- [25] Set relay ON delay in seconds
- [26] Set relay OFF delay in seconds
- [27] Relay contact is Open Inside Window
 - Relay contact is Closed Inside Window
- [28] Set relay window setpoint low
- [29] Set relay window setpoint high
- [30] Set relay window hysteresis
- [34] Open relay contact at error
 - Close relay contact at error
- [36] Select current as analogue output type
 - Select voltage as analogue output type
- [37] Select 0-20 mA output range
 - Select 4-20 mA output range
 - Select S4-20 mA with safety readback
 - Select 20-0 mA output range
 - Select 20-4 mA output range
 - Select S20-4 mA with safety readback
- [38] Select no error action - output undefined at error
 - Select downscale at error
 - Select NAMUR NE43 downscale at error
 - Select NAMUR NE43 upscale at error
- [39] Select 0.0-1 V output range
 - Select 0.2-1 V output range
 - Select 0-5 V output range
 - Select 1-5 V output range
 - Select 0-10 V output range
 - Select 2-10 V output range
 - Select 1-0.0 V output range
 - Select 1-0.2 V output range
 - Select 5-0 V output range
 - Select 5-1 V output range
 - Select 10-0 V output range
 - Select 10-2 V output range
- [41] Set temperature for analogue output low
- [42] Set temperature for analogue output high
- [43] Enter Language setup
 - Enter Password setup
 - Enter simulation mode
 - Perform process calibration
 - Enter display setup
 - Perform memory operations
- [44] Load saved setup into device
 - Save setup in display front
- [45] Adjust LCD contrast
- [46] Adjust LCD backlight
- [47] Write a 6-character device TAG
- [48] Analogue output value is shown in display line 3
 - Device TAG is shown in display line 3
- [49] Calibrate Input low to process value?
- [50] Calibrate Input high to process value?
- [51] Enable simulation mode?
- [52] Set the input simulation value
- [53] Relay simulation - use ^ and v to toggle relay 1 and 2
- [54] Enable password protection?
- [55] Set new password
- [56] Enable Fastset functionality?
- [57] Relay setpoint - press OK to save
- [58] Relay setpoint - Read only
- [59] Select language
- [60] Use process calibration values?
- [61] Set value for low calibration point
- [62] Set value for high calibration point

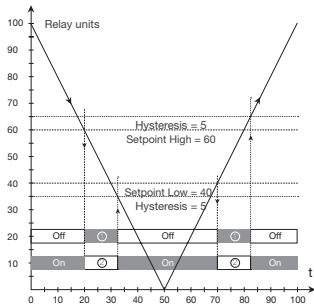
Graphic depiction of relay action Setpoint



Graphic depiction of relay action Window



Relay function: Window (shown for increasing signal)
 Contact: Closed inside window = ○
 Contact: Open inside window = ⊙



Relay function: Window (shown for decreasing signal)
 Contact: Closed inside window = ⊙
 Contact: Open inside window = ○

IAMS 0001 / 0011 / 0010

SOMMAIRE

Avertissement !	30
Signification des symboles	31
Démontage des dispositifs IAMS.....	33
Quand la LED rouge s'allume / l'indicateur affiche AO.ER	33
Options avancées.....	34
Applications.....	34
Caractéristiques techniques.....	34
PGMMOD00 indicateur / façade de programmation.....	35
Applications.....	36
Références de commande	37
Spécifications électriques	37
Indication de la détection erreur capteur et du signal d'entrée hors d'échelle.....	41
Limites de la détection erreur capteur	42
Indications erreur matériel.....	42
Connexions	43
Schéma de principe	44
Programmation / opération des touches de fonction.....	45
Informations relatives au signal et erreur capteur sur la façade PGMMOD00	46
Diagramme de programmation	51
Diagramme de programmation, Réglage avancé (ADV.SET).....	54
Menu déroulant en ligne 3 de l'indicateur.....	55
Illustration graphique de l'action de relais consigne	56
Illustration graphique de l'action de relais fenêtre.....	56



**INFORMATIONS
GENERALES**

AVERTISSEMENT !

Les dispositifs IAMS sont conçus pour supporter une connexion à des tensions électriques dangereuses. Si vous ne tenez pas compte de cet avertissement, cela peut causer des dommages corporels ou des dégâts mécaniques.

Pour éviter les risques d'électrocution et d'incendie, conformez-vous aux consignes de sécurité et suivez les instructions mentionnées dans ce guide. Vous devez vous limiter aux spécifications indiquées et respecter les instructions d'utilisation de ces dispositifs, telles qu'elles sont décrites dans ce guide.

Il est nécessaire de lire ce guide attentivement avant de mettre ces dispositifs en marche. L'installation de ces dispositifs est réservée à un personnel qualifié (techniciens). Si la méthode d'utilisation de l'équipement diffère de celle décrite par le fabricant, la protection assurée par l'équipement risque d'être altérée.



**TENSION
DANGEREUSE**

AVERTISSEMENT !

Tant que les dispositifs ne sont pas fixés, ne les mettez pas sous tensions dangereuses. Les opérations suivantes doivent être effectuées avec les dispositifs débranchés et dans un environnement exempt de décharges électrostatiques (ESD) : montage général, raccordement et débranchement de fils et recherche de pannes sur les dispositifs.

Seule Red Lion Control est autorisée à réparer le dispositif.



INSTALLATION

AVERTISSEMENT !

Afin de conserver les distances de sécurité, les contacts de relais des dispositifs ne doivent pas être mis sous tensions dangereuse et non-dangereuse en même temps.

Il convient de monter les dispositifs IAMS sur un rail DIN en se conformant à la norme DIN 46277.



AVERTISSEMENT !

Ne pas ouvrir la plaque avant des dispositifs vu que cela peut endommager le connecteur de l'indicateur / la façade de programmation PGMMOD00. Ces dispositifs ne contiennent ni de commutateurs DIP ni de cavaliers.

SIGNIFICATION DES SYMBOLES



Triangle avec point d'exclamation : Attention ! Si vous ne respectez pas les instructions, la situation pourrait être fatale.



Le signe CE indique que les dispositifs sont conformes aux exigences des directives.



Ce symbole indique que les dispositifs sont protégés par une **isolation double** ou renforcée.

CONSIGNES DE SECURITE

DEFINITIONS

Les gammes de tensions dangereuses sont les suivantes : de 75 à 1500 Vcc et de 50 à 1000 Vca. Les techniciens sont des personnes qualifiées qui sont capables de monter et de faire fonctionner un appareil, et d'y rechercher les pannes, tout en respectant les règles de sécurité. Les opérateurs, connaissant le contenu de ce guide, règlent et actionnent les boutons ou les potentiomètres au cours des manipulations ordinaires.

RECEPTION ET DEBALLAGE

Déballer le dispositif sans l'endommager. Le guide doit toujours être disponible et se trouver à proximité du dispositif. De même, il est recommandé de conserver l'emballage du dispositif tant que ce dernier n'est pas définitivement monté. A la réception du dispositif, vérifiez que le type de dispositif reçu correspond à celui que vous avez commandé.

ENVIRONNEMENT

N'exposez pas votre dispositif aux rayons directs du soleil et choisissez un endroit à humidité modérée et à l'abri de la poussière, des températures élevées, des chocs et des vibrations mécaniques et de la pluie. Le cas échéant, des systèmes de ventilation permettent d'éviter qu'une pièce soit chauffée au-delà des limites prescrites pour les températures ambiantes. Tous les dispositifs appartiennent à la catégorie d'installation II, au degré de pollution I et à la classe d'isolation II.

MONTAGE

Il est conseillé de réserver le raccordement du dispositif aux techniciens qui connaissent les termes techniques, les avertissements et les instructions de ce guide et qui sont capables d'appliquer ces dernières.

Si vous avez un doute quelconque quant à la manipulation du dispositif, veuillez contacter votre distributeur local. Vous pouvez également vous adresser à :

Red Lion Controls BV, Printerweg 103821, AD Amersfoort, The Netherlands.
Phone: +31 (0) 33-4723-225, fax: +31 (0) 33-4893-793. Toll Free from UK and
France: 00800 REDLIONS (00800 733 54667 ou à **Red Lion Controls Worldwide
Headquarters**, 20 Willow Springs Circle, York, PA 17406 USA, Phone: +1 (717)
767-6511, Fax: +1 (717) 764-0839.

Le montage et le raccordement du dispositif doivent être conformes à la législation nationale en vigueur pour le montage de matériaux électriques, par exemple, diamètres des fils, fusibles de protection et implantation des dispositifs. Les connexions des alimentations et des entrées / sorties sont décrites dans le schéma de principe et sur l'étiquette de la face latérale du dispositif. Les instructions suivantes s'appliquent aux dispositifs fixes connectés en tensions dangereuses :

Le fusible de protection doit être de 10 A au maximum. Ce dernier, ainsi que l'interrupteur général, doivent être facilement accessibles et à proximité du dispositif. Il est recommandé de placer sur l'interrupteur général une étiquette indiquant que ce dernier mettra le dispositif hors tension.

CONDITIONS D'INSTALLATION UL :

N'utilisez que de conducteurs de cuivre 60/75°C
Uniquement pour utilisation en degré de pollution 2 ou meilleur
Température ambiante max..... 60°C
Taille max. des fils, borne 41...46..... AWG 26-14
No du fichier UL E324843

ETALONNAGE ET REGLAGE

Lors des opérations d'étalonnage et de réglage, il convient d'effectuer les mesures et les connexions des tensions externes en respectant les spécifications mentionnées dans ce guide. Les techniciens doivent utiliser des outils et des instruments pouvant être manipulés en toute sécurité.

MANIPULATIONS ORDINAIRES

Les opérateurs sont uniquement autorisés à régler et faire fonctionner des dispositifs qui sont solidement fixés sur des platines des tableaux, ect., afin d'écartier les risques de dommages corporels. Autrement dit, il ne doit exister aucun danger d'électrocution et le dispositif doit être facilement accessible.

MAINTENANCE ET ENTRETIEN

Une fois le dispositif hors tension, prenez un chiffon humecté d'eau distillée pour le nettoyer.

LIMITATION DE RESPONSABILITE

Dans la mesure où les instructions de ce guide ne sont pas strictement respectées par le client, ce dernier n'est pas en droit de faire une réclamation auprès de Red Lion, même si cette dernière figure dans l'accord de vente conclu.

DEMONTAGE DES DISPOSITIFS IAMS

Tout d'abord, n'oubliez pas de démonter les connecteurs où règnent des tensions dangereuses.



Figure 1 :

Débloquez le verrou inférieur pour dégager le dispositif du rail DIN.

Quand la LED rouge s'allume / l'indicateur affiche AO.ER

Les IAMS0001 et IAMS 0011 ont été construits avec un niveau de sécurité élevé. Pour cette raison une mesure continue est effectuée de la courant sortant du dispositif pour un signal de sortie de 4...20 mA. Si le signal de courant en sortie ne correspond pas à la valeur de sortie calculée ou si la sortie courant est à 0 (p.ex. à cause d'une rupture de circuit) un mode de detection d'erreur commute la LED rouge et désactive les relais. Cette fonction ne peut être validée que par la programmation (menu S4...20 & S20...4). La remise à zero de ce défaut se fait en coupant l'alimentation.

IAMS 0001 / 0011 / 0010

- *Entrées: RTD, TC, Ohm, potentiomètre, mA et V*
- *Alimentation 2-fils > 16 V*
- *Approbation FM pour installation en Div. 2*
- *Sorties: courant, tension et 2 relais*
- *Alimentation multi-tension ca ou cc*

Options avancées

- Programmable à l'aide de la façade de programmation (PGMMOD00), calibration de process, simulation de signaux et de relais, protection par mot de passe, diagnostic d'erreurs et textes d'aide disponibles en plusieurs langues.

Applications

- Mesure électronique linéarisée de la température avec un capteur RTD ou un thermocouple.
- Conversion d'une variation de la résistance linéaire en un signal courant ou tension analogique. Signal potentiométrique en provenance de vannes, vannes papillons ou mouvement linéaire.
- Alimentation et isolateur de signaux pour transmetteurs 2-fils.
- Contrôle de procédés avec 2 paires de contacts de relais libre de potentiel qui peuvent être configurés pour quelque fonction que ce soit.
- Isolation galvanique de signaux analogiques et mesure de signaux flottants.
- Les IAMS0001 et IAMS0011 ont été construits avec un niveau de sécurité élevé permettant de les utiliser dans les installations classées SIL 2.

Caractéristiques techniques

- Quand l'indicateur / façade de programmation PGMMOD00 est monté, tous les paramètres de fonctionnement peuvent être réglés quelle que soit l'application. Le dispositif est équipé de commutateurs électroniques et ne nécessite donc aucun réglage de commutateurs DIP.
- La LED verte / rouge en face avant indique un fonctionnement normal ou incorrect du dispositif. Une LED jaune s'allume pour chaque relais de sortie actif.
- Vérification continue des données sauvegardées.
- Isolation galvanique 4-port de 2,3 kVca.

PGMMOD00 INDICATEUR / FAÇADE DE PROGRAMMATION



Fonctionnalité

Le menu simple, structuré à l'aide de questions pour la configuration, guide automatiquement l'utilisateur par un menu déroulant et rend ainsi aisée l'utilisation du produit. Voir la description des fonctions et options de configuration dans la section « Configuration / utilisation des touches de fonction ».

Application

- Interface de communication pour la modification des paramètres de fonctionnement des dispositifs IAMS.
- Peut être transféré d'un dispositif à un autre du même type et charger la configuration du premier dispositif vers les dispositifs suivants.
- Comme indicateur fixe pour visualisation des données de process et de l'état.

Caractéristiques techniques

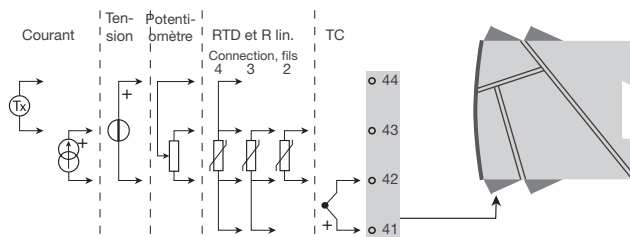
- Affichage LCD en quatre lignes; Ligne 1 (0,2 inch/5,57 mm de haut) affiche le signal d'entrée, ligne 2 (0,13 inch/3,33 mm de haut) affiche les unités, ligne 3 (0,13 inch/3,33 mm de haut) affiche la sortie analogique ou le numéro de repère et ligne 4 affiche l'état de communication et des relais.
- L'accès à la programmation peut être bloqué par un mot de passe. Ce mot de passe est sauvegardé dans le dispositif afin d'assurer un haut niveau de protection contre les modifications non autorisées.

Montage / installation

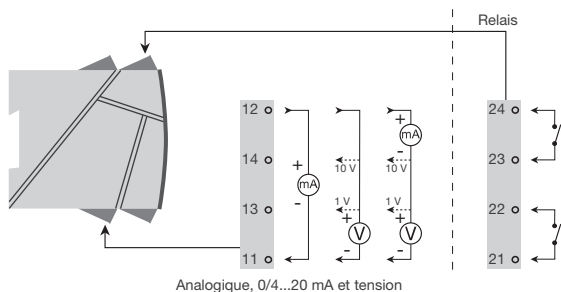
- Cliquer le PGMMOD00 sur la face avant du dispositif.

APPLICATIONS

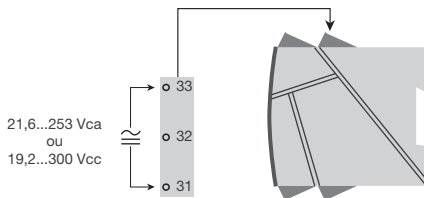
Signaux d'entrée :



Signaux de sortie :



Alimentation :



References de commande

IAMS0001	Transmetteur universel avec sortie analogique
IAMS0011	Transmetteur universel avec sortie analogique / 2 relais
IAMS0010	Relais à seuils avec 2 relais
PGMMOD00	Afficheur / façade de programmation

Spécifications électriques

Plage des spécifications:

-20°C à +60°C

Spécifications communes:

Tension d'alimentation universelle	21,6...253 Vca, 50...60 Hz ou 19,2...300 Vcc
Consommation max.	≤ 2,5 W
Fusible	400 mA SB / 250 Vca
Tension d'isolation, test / opération	2,3 kVca / 250 Vca
Interface de communication	Façade de program. PGMMOD00
Rapport signal / bruit	Min. 60 dB (0...100 kHz)
Temps de réponse (0...90%, 100...10%):	
Entrée température	≤ 1 s
Entrée mA / V	≤ 400 ms
Température d'étalonnage	20...28°C

Résolution d'affichage: l'affichage de température passe automatiquement en dixièmes, avec des valeurs inférieures à 1000 degrés.

Précision, la plus grande des valeurs générales et de base:

Valeurs générales		
Type d'entrée	Précision absolue	Coefficient de température
Toutes	≤ ±0,1% de l'EC	≤ ±0,01% de l'EC / °C

Valeurs de base		
Type d'entrée	Précision de base	Coefficient de température
mA	$\leq \pm 4 \mu\text{A}$	$\leq \pm 0,4 \mu\text{A} / ^\circ\text{C}$
Volt	$\leq \pm 20 \mu\text{V}$	$\leq \pm 2 \mu\text{V} / ^\circ\text{C}$
Pt100	$\leq \pm 0,2^\circ\text{C}$	$\leq \pm 0,01^\circ\text{C} / ^\circ\text{C}$
Résistance linéaire	$\leq \pm 0,1 \Omega$	$\leq \pm 0,01 \Omega / ^\circ\text{C}$
Potentiomètre	$\leq \pm 0,1 \Omega$	$\leq \pm 0,01 \Omega / ^\circ\text{C}$
Type TC: E, J, K, L, N, T, U	$\leq \pm 1^\circ\text{C}$	$\leq \pm 0,05^\circ\text{C} / ^\circ\text{C}$
Type TC: R, S, W3, W5, LR	$\leq \pm 2^\circ\text{C}$	$\leq \pm 0,2^\circ\text{C} / ^\circ\text{C}$
Type TC: B 85...200°C	$\leq \pm 4^\circ\text{C}$	$\leq \pm 0,4^\circ\text{C} / ^\circ\text{C}$
Type TC: B 200...1820°C	$\leq \pm 2^\circ\text{C}$	$\leq \pm 0,2^\circ\text{C} / ^\circ\text{C}$

Immunité CEM..... < $\pm 0,5\%$ de l'EC
 Immunité CEM améliorée:
 NAMUR NE 21, critère A, burst < $\pm 1\%$ de l'EC

Tensions auxiliaires:

Alimentation 2-fils (borne 44...43) 25...16 Vcc / 0...20 mA
 Taille max. des fils 1 x 2,5 mm² fil multibrins
 Pression max. avant
 déformation de la vis..... 0,5 Nm
 Humidité relative..... < 95% HR (sans cond.)
 Dimensions, sans façade 4501 (HxLxP) 109 x 23,5 x 104 mm
 Dimensions, avec façade 4501 (HxLxP) 109 x 23,5 x 116 mm
 Degré de protection (boîtier / bornier)..... IP50 / IP20
 Poids 170 g / 185 g avec 4501

Entrée RTD, résistance linéaire et potentiomètre:

Type d'entrée	Valeur min.	Valeur max.	Standard
Pt100	-200°C	+850°C	IEC60751
Ni100	-60°C	+250°C	DIN 43760
R lin.	0 Ω	10000 Ω	-
Potentiomètre	10 Ω	100 k Ω	-

Entrée pour types RTD :

Pt10, Pt20, Pt50, Pt100, Pt200, Pt250, Pt300, Pt400, Pt500, Pt1000

Ni50, Ni100, Ni120, Ni1000

Résistance de ligne max. par fil, RTD..... 50 Ω

Courant de capteur, RTD Nom. 0,2 mA

Effet de la résistance de ligne

3- / 4-fils, RTD..... < 0,002 Ω / Ω

Détection de rupture capteur, RTD Oui

Détection de court circuit, RTD..... < 15 Ω **Entrée TC :**

Type	Valeur min.	Valeur max.	Standard
B	0°C	+1820°C	IEC 60584-1
E	-100°C	+1000°C	IEC 60584-1
J	-100°C	+1200°C	IEC 60584-1
K	-180°C	+1372°C	IEC 60584-1
L	-200°C	+900°C	DIN 43710
N	-180°C	+1300°C	IEC 60584-1
R	-50°C	+1760°C	IEC 60584-1
S	-50°C	+1760°C	IEC 60584-1
T	-200°C	+400°C	IEC 60584-1
U	-200°C	+600°C	DIN 43710
W3	0°C	+2300°C	ASTM E988-90
W5	0°C	+2300°C	ASTM E988-90
LR	-200°C	+800°C	GOST 3044-84

Compensation de soudure froide (CSF)par capteur interne < $\pm 1,0$ °CDétection de rupture capteur,
tous types de TC Oui**Courant de capteur :**pendant la détection Nom. 2 μ Asi non 0 μ A**Entrée courant:**

Gamme de mesure..... 0...20 mA

Gammes de mesure programmables..... 0...20 et 4...20 mA

Résistance d'entrée à 20°C Max. 70 Ω (20 Ω + thermistance CTP 50 Ω)**Détection d'erreur capteur:**

interruption de la boucle 4...20 mA..... Oui

Entrée tension:

Gamme de mesure..... 0...12 Vcc

Gammes de mesure programmables..... 0...1 / 0,2...1 / 0...5 / 1...5 /

Résistance d'entrée.....	0...10 et 2...10 Vcc Nom. 10 MΩ
Sortie courant:	
Gamme de signal (EC)	0...20 mA
Gammes de signal programmables	0...20 / 4...20 / 20...0 et 20...4 mA
Charge (max.)	20 mA / 800 Ω / 16 Vcc
Stabilité de charge	≤ 0,01% de l'EC / 100 Ω
Détection erreur capteur	0 / 3,5 / 23 mA / aucune
NAMUR NE 43 haut / bas d'échelle	23 mA / 3,5 mA
Limite de sortie:	
signal 4...20 et 20...4 mA	3,8...20,5 mA
signal 0...20 et 20...0 mA	0...20,5 mA
Limite de courant	≤ 28 mA
Sortie tension:	
Gamme de signal	0...10 Vcc
Gammes de signal programmables	0...1 / 0,2...1 / 0...10 / 0...5 / 1...5 / 2...10 / 1...0 / 1...0,2 / 5...0 / 5...1 / 10...0 og 10...2 V
Charge (min.)	500 kΩ
Sorties relais:	
Fonctions relais	Consigne, Fenêtre, Erreur capteur, Power et Off
Hystérésis.....	0,1...25% de l'EC ou de la gamme d'affichage.
Délai On / Off.....	0...3600 s
Action en cas d'erreur capteur.....	Ouverture / Fermeture / Maintien
Tension max.	250 VRMS
Courant max.....	2 A / ca ou 1 A / cc
Puissance ca max.	500 VA
Approbation Ex / S.I.:	
FM, applicable en.....	Class I, Div. 2, Group A, B, C, D Class I, Div. 2, Group IIC Zone 2
Température amb. max. pout T5.....	60°C
Agréments et homologations:	
Standard:	
CEM (EMC) 2004/108/CE:	
Emission et immunité.....	EN 61326-1
DBT 2006/95/CE	EN 61010-1
FM	3600, 3611, 3810 et ISA 82.02.01
UL, Standard for Safety	UL 508

EC = échelle configurée

Indication de la détection erreur capteur et du signal d'entrée hors d'échelle

Vérifications erreur capteur:	
Configuration	Détection erreur capteur
R1, ERR.ACT=NONE - R2, ERR.ACT=NONE, OUT.ERR=NONE.	OFF
Autre:	ON

Indication de dépassement d'échelle (IN.LO, IN.HI): En dépassement de l'échelle définie du convertisseur A/D ou des standards températures			
Entrée	Plage	Affichage	Limite
VOLT	0...1 V / 0,2...1 V	IN.LO	< -25 mV
		IN.HI	> 1,2 V
	0...10 V / 2...10 V	IN.LO	< -25 mV
		IN.HI	> 12 V
CURR	0...20 mA / 4...20 mA	IN.LO	< -1,05 mA
		IN.HI	> 25,05 mA
LIN.R	0...800 Ω	IN.LO	< 0 Ω
		IN.HI	> 1075 Ω
	0...10 k Ω	IN.LO	< 0 Ω
		IN.HI	< 110 k Ω
POTM	-	IN.LO	< -0,5 %
		IN.HI	> 100,5 %
TEMP	TC / RTD	IN.LO	< plage de températ. -2°C
		IN.HI	> plage de températ. +2°C

Affichage en dessous du mini. / au-dessus du maxi (-1999, 9999) :			
Entrée	Plage	Affichage	Limite
Tous	Tous	-1999	Indication <-1999
		9999	Indication >9999

Limites de la détection erreur capteur

Détection erreur capteur (SE.BR, SE.SH) :			
Entrée	Plage	Affichage	Limite
CURR	Rupture de boucle (4..20 mA)	SE.BR	<= 3,6 mA; > = 21 mA
POTM	Tous, SE.BR sur toutes connexions 3-fils	SE.BR	> env. 126 k Ω
LIN.R	0...800 Ω	SE.BR	> env. 875 Ω
	0...10 k Ω	SE.BR	> env. 11 k Ω
TEMP	TC	SE.BR	> env. 750 k Ω / (1,25 V)
	RTD, 2-, 3- et 4-fils	SE.BR	> env. 15 k Ω
	Pas de SE.SH pour Pt10, Pt20 et Pt50	SE.SH	< env. 15 Ω

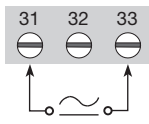
Indications erreur matériel

Indication erreur matériel		
Recherche erreurs	Affichage	Cause d'erreur
Vérification du capteur CSF interne	CJ.ER	Défaut capt. CSF ou temp. en dépassement d'échelle
Vérification complète de la mémoire FLASH	FL.ER	Erreur dans la mém. FLASH
Vérification de la sortie analogique	AO.ER	1) Sortie courant incorrecte (uniq. S4...20/ S20...4 mA)
Vérification de la communic. entre PGMMOD00/dispositif	NO.CO	Erreur de connexion
Vérif. que le signal d'entrée correspond à la config. d'entrée	IN.ER	1) Niv. d'erreur à l'entrée
Vérification si la configuration gardée en PGMMOD00 correspond au dispositif	TY.ER	Incohérence de configuration

! Les indications d'erreur clignotent toutes les secondes. Un texte d'aide explique l'erreur.
 1) L'erreur est corrigé en déconnectant et puis reconnectant l'alimentation du dispositif.

CONNEXIONS

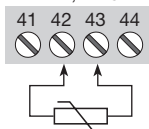
Alimentation:



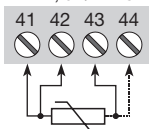
Si l'alimentation cc est utilisée, la polarité n'a pas d'importance

Entrées:

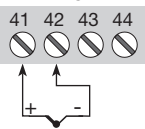
RTD, 2-fils



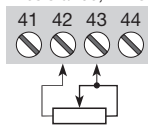
RTD, 3- / 4-fils



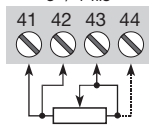
TC



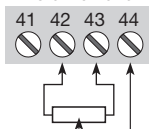
Résistance, 2-fils



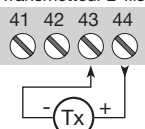
Résistance, 3- / 4-fils



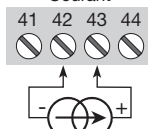
Potentiomètre



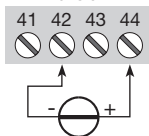
Transmetteur 2-fils



Courant



Tension

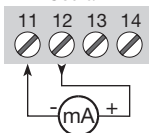


Entrée courant alimentée par un module IAMS

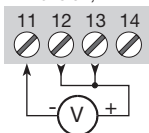
Transmetteur auto-alimenté ou avec alimentation externe

Sorties:

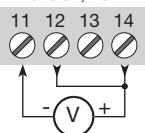
Courant



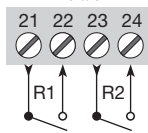
Tension, 1 V



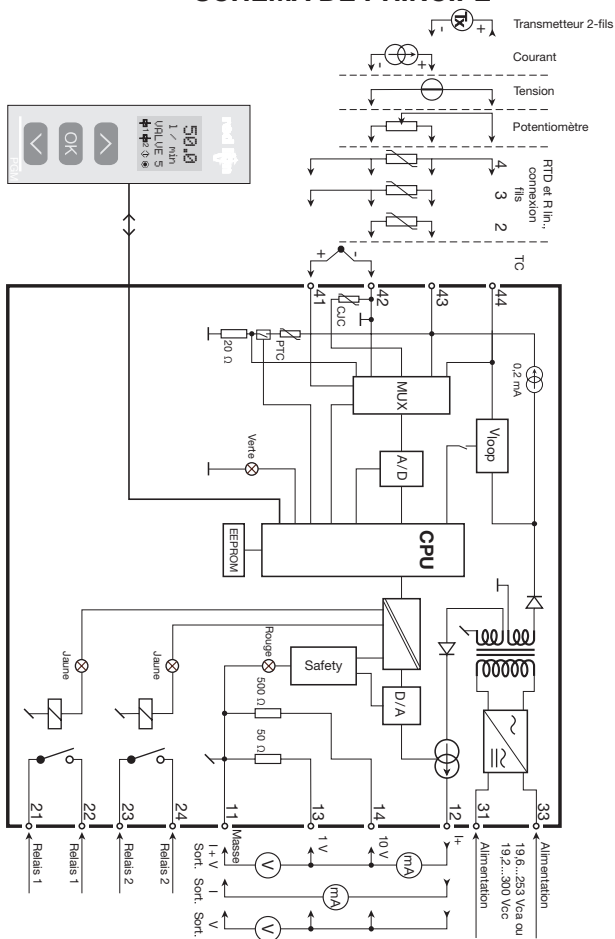
Tension, 10 V



Relais



SCHEMA DE PRINCIPE



PROGRAMMATION / OPERATION DES TOUCHES DE FONCTION

Documentation pour le diagramme de programmation.

Généralités :

Lors de la configuration des dispositif IAMS vous êtes guidés tout au long des paramètres du menu ; ainsi vous pouvez choisir le réglage qui correspond à votre application. Pour chaque menu il y a un texte d'aide qui défile en ligne 3 de l'indicateur.

La configuration se fait à l'aide des 3 touches de fonction :

- ⤴ Incrémenter la valeur numérique ou choisir le paramètre suivant
- ⤵ Décrémenter la valeur numérique ou choisir le paramètre précédent
- OK Valider les valeurs choisies et fin du menu

Une fois la configuration terminée, l'indicateur retournera sur l'état défaut 1.0.

En appuyant et maintenant la touche OK l'indicateur retourne au menu précédent ou sur l'état défaut (1.0) sans sauvegarde des modifications éventuelles apportées à la configuration.

Si aucune touche n'est activée pendant 1 minute, l'indicateur retournera sur l'état défaut sans sauvegarde des modifications éventuelles apportées à la configuration.

Information complémentaire :

Réglage rapide des consignes et test des relais : Ces menus permettent de changer rapidement les consignes et de tester le fonctionnement des relais quand le menu RéglageRapide est activé. Cette fonction est seulement accessible quand les relais ont la fonction consigne et sont contrôlés par une consigne.

En appuyant sur les touches ⤴ et ⤵ simultanément, le test des relais est activé et le relais change d'état.

En appuyant sur la touche OK le changement de la consigne est sauvegardé.

En appuyant sur la touche OK pour plus d'une seconde, l'indicateur retourne sur l'état défaut (1.0) sans sauvegarde du changement de la consigne.

Protection par mot de passe: L'accès à la programmation peut être bloqué par un mot de passe. Ce mot de passe est sauvegardé dans le dispositif afin d'assurer un haut niveau de protection contre les modifications non autorisées. Le mot de passe usine 2008 permet l'accès à tous les menus de configuration.

Informations relatives au signal et erreur capteur sur la façade PGMMOD00

Erreur capteur (voir limites dans tableau) est affiché par SE.BR (rupture capteur) ou SE.SH (court circuit). Signal hors limite (voir tableau des limites) est affiché par IN.LO (limite basse) ou IN.HI (limite haute). L'affichage de l'erreur se fait sur la ligne 3 en format texte avec le rétro-éclairage lumineux clignotant. La ligne 4 de l'affichage indique l'état des relais 1 et 2, COM (balle clignotante) qui indique l'état de fonctionnement du 4501, et la flèche montante/descendante indique la tendance du signal d'entrée.

Si figure 1 ou figure 2 clignote ceci indique que l'appareil a détecté un dépassement du seuil et que le relais est en mode « délai ». Lorsque le délai est dépassé et que le relais à enclenché / déclenché l'indication relais apparaît ou disparaît.

Indication du signal et erreur capteur sans la façade

L'état du dispositif peut être lu sur la façade à l'aide des voyants rouge/vert.

Voyant vert clignotant à 13 Hz indique l'état normal de fonctionnement.

Voyant vert clignotant à 1 Hz indique l'erreur capteur.

Voyant rouge fixe indique une erreur interne

Fonctions des relais

5 différentes fonctions peuvent être sélectionnées :

Consigne: Le relais est activé à une valeur de consigne avec hystérésis.

Fenêtre: Le relais a une fenêtre définie par le seuil bas et haut. Des deux cotés de la fenêtre le relais a le même état.

Fonction erreur: Le relais est activé en cas d'erreur capteur.

Alimentation: Le relais est actif en présence de l'alimentation.

OFF: Le relais est désactivé.

Croissant / Décroissant: Les relais peuvent être actifs en mode croissant ou décroissant

Délais: Fonctions Délai “on” ou “off” peuvent être choisies pour les 2 relais entre 0...3600 s.

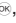

Hystérésis: L'hystérésis peut être configuré entre 0,1 et 25% de l'échelle ou de la gamme d'affichage.

Fonctions avancées

L'unité donne accès à un certain nombre de fonctions avancées qui sont accessibles en répondant « Oui » à « adv.set ».

Configuration de l'affichage: Il est possible de régler la luminosité et le rétro-éclairage. Enregistrement d'un numéro de repère à 6 caractères alphanumériques. Sélection de l'affichage de la valeur de sortie ou du repère sur ligne 3 de l'indicateur.

Calibration du process en 2 points: Le dispositif peut procéder à une calibration en 2 points. Le point mini du signal d'entrée (pas nécessairement 0%) est appliquée et la valeur actuelle est entrée. Ensuite le point maxi du signal (pas nécessairement 100%) est appliquée et la valeur actuelle est entrée. Si vous validez ces points, l'appareil va fonctionner selon cet ajustement. Si plus tard vous souhaitez modifier ou changer de type d'entrée le dispositif reviendra à la calibration usine.

Fonction simulation: Si vous validez le point « EN.SIM » il est possible de simuler un signal d'entrée à l'aide des flèches et ainsi contrôler le signal de sortie haut et bas. Lorsque vous validez le point par , le dispositif retourne à son mode normal. Il est possible avec les flèches en façade d'activer le relais 1 et le relais 2. Vous devez sortir du menu en pressant  (pas de time-out).

Mot de passe: Ici vous pouvez choisir un mot de passe allant de 0000 à 9999 afin de protéger la programmation. Le dispositif est livrée sans mot de passe. Si par erreur vous verrouillez le dispositif par un mot de passe, vous pouvez toujours l'annuler par le mot de passe 2008.

Langue: Dans le menu « choix de la langue », vous pouvez sélectionner 7 différentes langues pour le texte d'aide. Choix entre: Anglais, allemand, français, italien, espagnol, suédois et danois.

Auto-diagnostic

Le dispositif effectue la fonction auto-diagnostic des circuits internes.

Voici les erreurs possibles affichées sur le PGMMOD00 :

CJ.ER - Défaut capteur CSF ou température CSF en dépassement d'échelle

FL.ER - Erreur flash

AO.ER - La sortie courant est sans charge (uniquement pour les signaux
S4...20 mA / S20...4 mA)

NO.CO - Erreur de connexion

IN.ER - Niveaux d'erreur à l'entrée

TY.ER - Configuration du PGMMOD00 différente du type de produit ou de
la revision du firmware

Sélection des unités

Après avoir choisi le type de signal d'entrée, vous pouvez choisir l'unité de valeur du process pour l'affichage en texte ligne 2 (voir tableau). En sélectionnant une entrée température, l'unité de mesure sur l'afficheur est en Celsius ou Fahrenheit.

Fonction sécurité

Par défaut les appareils sont livrés avec la fonction SIL inactive. La fonction sécurité (surveillance de boucle) peut être sélectionnée sur le menu O.RANGE ce qui permet à la carte de fonctionner en mode SIL. De plus il faut que la sortie S4...20mA ou S20...4 mA soit validée. Veuillez noter que lorsque la fonction sécurité est activée la fonction erreur capteur est signalée sur la sortie analogique.

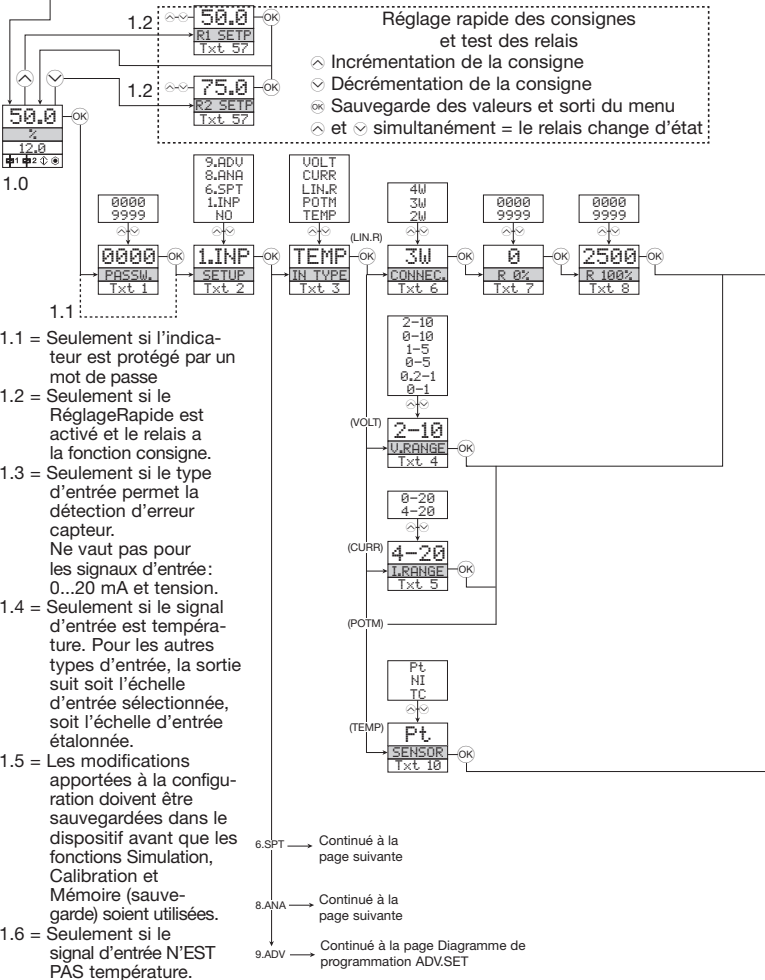
Mémoire

Dans le menu mémoire (memory) vous pouvez sauvegarder la configuration du dispositif dans le PGMMOD00, et puis transférer le PGMMOD00 sur un autre dispositif du même type / version du firmware et charger la configuration sauvegardée vers ce dispositif.

En branchant la façade PGMMOD00 sur le dispositif, ce dernier sera lu.

Aucune configuration :	La configuration du dispositif sera chargée vers la façade - SANS être sauvegardée.
Sauvegarder mémoire (SAVE):	La configuration du dispositif sera sauvegardé dans la façade.
Charger mémoire (LOAD):	La configuration sauvegardée précédemment dans la façade sera chargé vers le dispositif.

Power up



1.1 = Seulement si l'indicateur est protégé par un mot de passe

1.2 = Seulement si le RéglageRapide est activé et le relais a la fonction consigne.

1.3 = Seulement si le type d'entrée permet la détection d'erreur capteur.

Ne vaut pas pour les signaux d'entrée: 0...20 mA et tension.

1.4 = Seulement si le signal d'entrée est température. Pour les autres types d'entrée, la sortie suit soit l'échelle d'entrée sélectionnée, soit l'échelle d'entrée étalonnée.

1.5 = Les modifications apportées à la configuration doivent être sauvegardées dans le dispositif avant que les fonctions Simulation, Calibration et Mémoire (sauvegarde) soient utilisées.

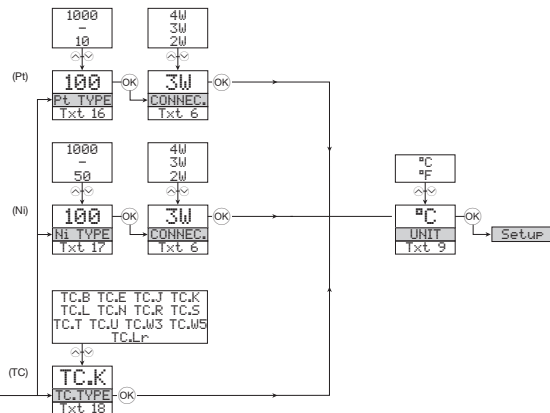
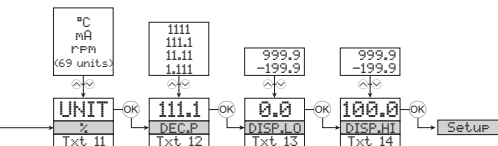
1.6 = Seulement si le signal d'entrée N'EST PAS température.

DIAGRAMME DE PROGRAMMATION

Si aucune touche n'est actionnée pendant 1 minute, l'indicateur retourne sur l'état défaut sans sauvegarde des modifications éventuelles apportées à la configuration.

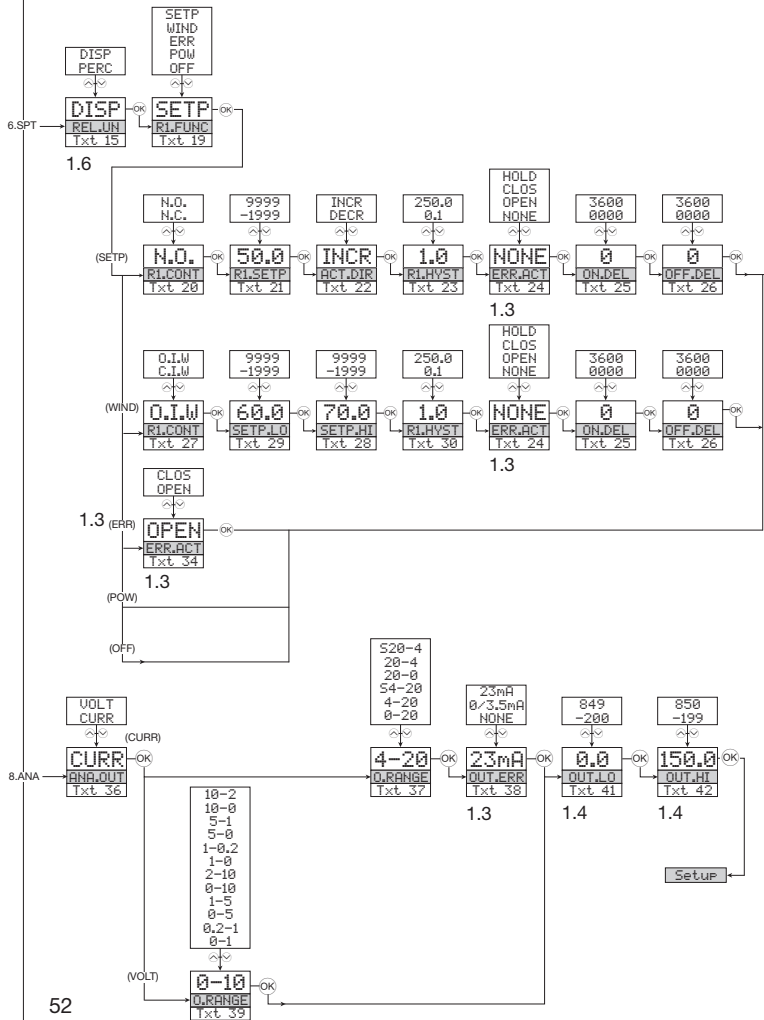
- ⊙ Incrémenter la valeur / choisir paramètre suivant
- ⊙ Décrémenter la valeur / choisir paramètre précédent
- ⊙ Valider les valeurs choisies et fin du menu

Maintien ⊙ Retour au menu précédent / retour au menu 1.0 sans sauvegarde



Choix de l'UNITE :

°C	ft/min	Hz	kg	l/min	m ³ /h	mol	pH	uS
°F	ft/s	in	kJ	l/s	m ³ /min	MPa	rPM	U
%	g	in/h	kPa	m	mA	mV	s	W
A	gal/h	in/min	kV	m/h	mbar	MW	S	Wh
bar	gal/min	in/s	kW	m/min	mils	MWh	t	yd
cm	GW	ips	kWh	m/s	min	N	t/h	[blank]
ft	hp	K	l	m/s ²	mm	Ohm	uA	
ft/h	hPa	kA	l/h	m ³	mm/s	Pa	um	



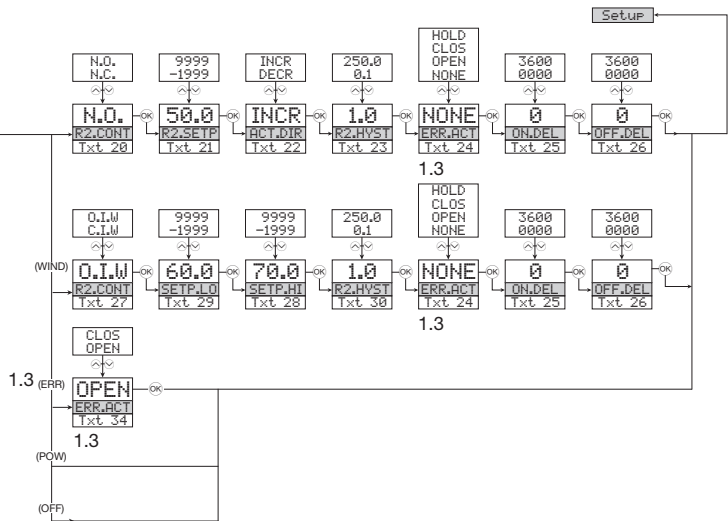
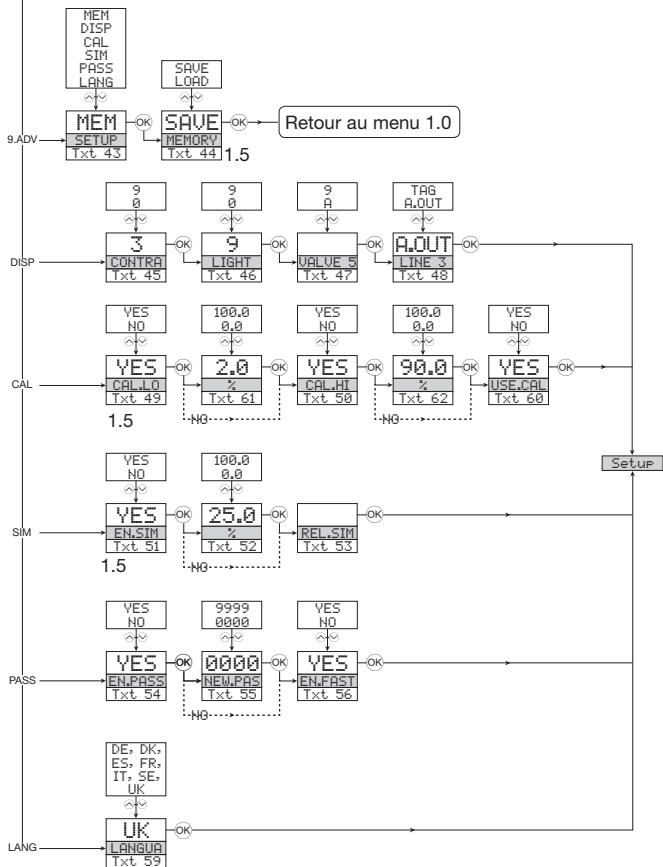


DIAGRAMME DE PROGRAMMATION RÉGLAGE AVANCÉ (ADV.SET)



MENU DÉROULANT EN LIGNE 3 DE L'INDICATEUR

- [01] Entrer mot de passe correct
- [02] Sélectionner module de configuration ou NO pour sauvegarder et sortir du menu
- [03] Sélectionner entrée température
Sélectionner entrée potentiomètre
Sélectionner entrée résistance linéaire
Sélectionner entrée courant
Sélectionner entrée tension
- [04] Sélectionner gamme d'entrée 0.0-1 V
Sélectionner gamme d'entrée 0.2-1 V
Sélectionner gamme d'entrée 0-5 V
Sélectionner gamme d'entrée 1-5 V
Sélectionner gamme d'entrée 0-10 V
Sélectionner gamme d'entrée 2-10 V
- [05] Sélectionner gamme d'entrée 0-20 mA
Sélectionner gamme d'entrée 4-20 mA
- [06] Sélectionner connexion capteur 2-fils
Sélectionner connexion capteur 3-fils
Sélectionner connexion capteur 4-fils
- [07] Régler valeur de résistance basse
- [08] Régler valeur de résistance haute
- [09] Sélectionner Celsius comme unité de température
Sélectionner Fahrenheit comme unité de température
- [10] Sélectionner type de capteur TC
Sélectionner type de capteur Ni
Sélectionner type de capteur Pt
Sélectionner unités d'affichage
- [11] Sélectionner position du point décimale
- [12] Régler gamme d'affichage basse
- [13] Régler gamme d'affichage haute
- [14] Régler les relais en pourcentages de la gamme d'entrée
Régler les relais en unités d'affichage
- [16] Sélectionner Pt10 comme type de capteur
Sélectionner Pt20 comme type de capteur
Sélectionner Pt50 comme type de capteur
Sélectionner Pt100 comme type de capteur
Sélectionner Pt200 comme type de capteur
Sélectionner Pt250 comme type de capteur
Sélectionner Pt300 comme type de capteur
Sélectionner Pt400 comme type de capteur
Sélectionner Pt500 comme type de capteur
Sélectionner Pt1000 comme type de capteur
- [17] Sélectionner Ni50 comme type de capteur
Sélectionner Ni100 comme type de capteur
Sélectionner Ni120 comme type de capteur
Sélectionner Ni1000 comme type de capteur
- [18] Sélectionner TC-B comme type de capteur
Sélectionner TC-E comme type de capteur
Sélectionner TC-J comme type de capteur
Sélectionner TC-K comme type de capteur
Sélectionner TC-L comme type de capteur
Sélectionner TC-N comme type de capteur
Sélectionner TC-R comme type de capteur
Sélectionner TC-S comme type de capteur
Sélectionner TC-T comme type de capteur
Sélectionner TC-U comme type de capteur
Sélectionner TC-W3 comme type de capteur
Sélectionner TC-W5 comme type de capteur
Sélectionner TC-Lr comme type de capteur
- [19] Sélect. fonction OFF - le relais est OFF en permanence
Sélect. fonction POWER - relais indique état d'alim. OK
Sélect. fonct. ERREUR - relais indique unique. err. capteur
Sélect. fonction FENETRE - relais contrôlé par 2 consignes
Sélect. fonction CONSIGNE - relais contrôlé par 1 consigne
- [20] Sélectionner contact Normalement Fermé
Sélectionner contact Normalement Ouvert
- [21] Régler la consigne du relais
- [22] Activer le relais pour un signal descendant
Activer le relais pour un signal montant
- [23] Régler l'hystérésis du relais
- [24] Pas d'action d'erreur - état non-défini en cas d'erreur
Ouvrir contact du relais en cas d'erreur
Fermer contact du relais en cas d'erreur
Maintenir état du relais en cas d'erreur
- [25] Régler le délai ON du relais en secondes
- [26] Régler le délai OFF du relais en secondes
- [27] Contact du relais est fermé dans la fenêtre
Contact du relais est ouvert dans la fenêtre
- [28] Régler la consigne haute de la fenêtre relais
- [29] Régler la consigne basse de la fenêtre relais
- [30] Régler l'hystérésis de la fenêtre relais
- [34] Ouvrir contact du relais en cas d'erreur
Fermer contact du relais en cas d'erreur
- [36] Sélect. courant comme type de sortie analogique
Sélect. tension comme type de sortie analogique
- [37] Sélectionner gamme de sortie 0-20 mA
Sélectionner gamme de sortie 4-20 mA
Sélectionner S4-20 mA avec sécurité de la boucle
Sélectionner gamme de sortie 20-0 mA
Sélectionner gamme de sortie 20-4 mA
Sélectionner S20-4 mA avec sécurité de la boucle
- [38] Sélectionner aucune action d'erreur - la sortie n'est pas définie en cas d'erreur
Sélectionner bas d'échelle en cas d'erreur
Sélect. NAMUR NE43 bas d'échelle en cas d'erreur
Sélect. NAMUR NE43 haut d'échelle en cas d'erreur
- [39] Sélectionner gamme de sortie 0.0-1 V
Sélectionner gamme de sortie 0.2-1 V
Sélectionner gamme de sortie 0-5 V
Sélectionner gamme de sortie 1-5 V
Sélectionner gamme de sortie 0-10 V
Sélectionner gamme de sortie 2-10 V
Sélectionner gamme de sortie 1-0.0 V
Sélectionner gamme de sortie 1-0.2 V
Sélectionner gamme de sortie 5-0 V
Sélectionner gamme de sortie 5-1 V
Sélectionner gamme de sortie 10-0 V
Sélectionner gamme de sortie 10-2 V
- [41] Régler la température basse de la sortie analogique
- [42] Régler la température haute de la sortie analogique
- [43] Aller dans la configuration de langue
Aller dans la configuration du mot de passe
Aller dans le mode simulation
Exécuter calibration de process
Aller dans la configuration d'affichage
Exécuter opérations de mémoire
- [44] Charger la configuration sauvegardée dans le dispositif
Sauvegarder la configuration dans le PGMMOD00
- [45] Ajuster le contraste LCD
- [46] Ajuster le rétro-éclairage LCD
- [47] Entrer numéro repère de 6 caractères
- [48] Valeur de la sortie analogique affichée en ligne 3
Numéro repère affiché en ligne 3
- [49] Calibrer l'entrée basse à la valeur de process ?
- [50] Calibrer l'entrée haute à la valeur de process ?
- [51] Permettre mode de simulation ?
- [52] Régler la valeur de simulation en entrée
- [53] Simulation relais - utiliser \otimes et \ominus pour alterner entre relai 1 et 2
- [54] Permettre protection par mot de passe ?
- [55] Entrer nouveau mot de passe
- [56] Permettre la fonctionnalité RéglageRapide ?
- [57] Consigne relais - Appuyer sur \otimes pour sauvegarder
- [58] Consigne relais - Lecture
- [59] Sélectionner langue
- [60] Utiliser valeurs de calibration process ?
- [61] Régler valeur de la position basse de la calibration
- [62] Régler valeur de la position haute de la calibration

Illustration graphique de l'action de relais consigne

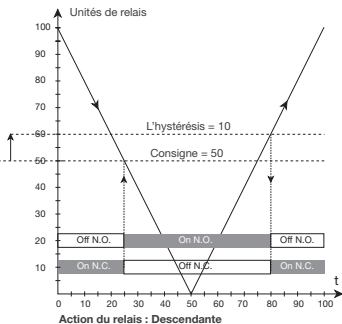
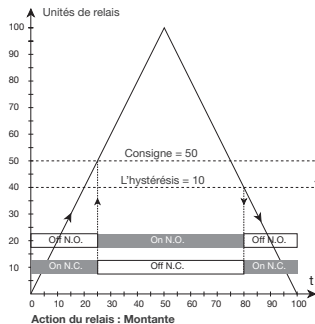
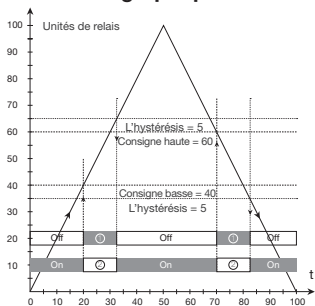
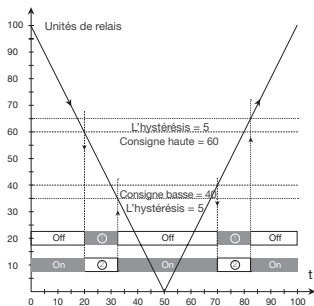


Illustration graphique de l'action de relais fenêtre



Action du relais : Fenêtre (montrée pour un signal montant)

Contact : Fermé dans la fenêtre = ○
 Contact : Ouvert dans la fenêtre = ⊙



Action du relais : Fenêtre (montrée pour un signal descendant)

Contact : Fermé dans la fenêtre = ○
 Contact : Ouvert dans la fenêtre = ⊙

IAMS 0001 / 0011 / 0010

INHALTSVERZEICHNIS

WARNUNG!	58
Zeichenerklärungen	59
Sicherheitsregeln	59
Zerlegung des IAMS-gerätes	61
Wenn die Front LED rot leuchtet / Display zeigt AO.ER ...	61
Erweiterte Merkmale	62
Verwendung.....	62
Technische Merkmale.....	62
PGMMOD00 Display / programmierfront.....	63
Anwendungen	64
Bestellangaben.....	65
Elektrische Daten	65
Visualisierung: Sensorfehlererkennung und Eingangssignal außerhalb des Bereichs	69
Grenzen Fühlerfehlererkennung	70
Fehleranzeige	70
anschlüsse.....	71
Blockdiagramm	72
Konfiguration / Bedienung der funktionstasten	73
Signal- und Sensorfehlerinformation per Programmierfront	74
Signal und Sensorfehleranzeige ohne Programmierfront	74
Flussdiagramm.....	79
Flussdiagramm, Erweiterte Einstellungen (ADV.SET).....	82
Scrollender Hilfetext im Display Zeile 3	83
Graphische Abbildung der Relaisfunktion Sollwert	84
Graphische Abbildung der Relaisfunktion Fenster	84



ALLGEMEINES

WARNUNG!

Dieses Gerät ist für den Anschluss an lebensgefährliche elektrische Spannungen gebaut. Missachtung dieser Warnung kann zu schweren Verletzungen oder mechanischer Zerstörung führen.

Um eine Gefährdung durch Stromstöße oder Brand zu vermeiden müssen die Sicherheitsregeln des Handbuches eingehalten, und die Anweisungen befolgt werden.

Die Spezifikationswerte dürfen nicht überschritten werden, und das Gerät darf nur gemäß folgender Beschreibung benutzt werden. Das Handbuch ist sorgfältig durchzulesen, ehe das Gerät in Gebrauch genommen wird. Nur qualifizierte Personen (Techniker) dürfen dieses Gerät installieren.

Wenn das Gerät nicht wie in diesem Handbuch beschrieben benutzt wird, werden die Schutzeinrichtungen des Gerätes beeinträchtigt.



GEFÄHR- LICHE SPANNUNG

WARNUNG!

Vor dem abgeschlossenen festen Einbau des Gerätes darf daran keine gefährliche Spannung angeschlossen werden, und folgende Maßnahmen sollten nur in spannungslosem Zustand des Gerätes und unter ESD-sicheren Verhältnisse durchgeführt werden:

Installation, Montage und Demontage von Leitungen.
Fehlersuche im Gerät.

Reparaturen des Gerätes dürfen nur von Red Lion Controls vorgenommen werden.



INSTAL- LATION

WARNUNG

Zur Einhaltung der Sicherheitsabstände dürfen die Relaiskontakte des Gerätes nicht an sowohl gefährliche und ungefährliche Spannung angeschlossen werden.

Die IAMS-Geräte müssen auf eine DIN-Schiene nach DIN 46277 montiert werden.



WARNUNG

Die Frontplatte des Gerätes darf nicht geöffnet werden, weil hierdurch die Kontakte zur Kontaktierung des Frontdisplays PGMOD00 beschädigt werden können. Das Gerät enthält keine internen DIP-Schalter oder Programmierbrücken.

ZEICHENERKLÄRUNGEN



Dreieck mit Ausrufungszeichen: Warnung / Vorschrift. Vorgänge, die zu lebensgefährlichen Situationen führen können.



Die **CE-Marke** ist das sichtbare Zeichen dafür, dass das Gerät die Vorschriften erfüllt.



Doppelte Isolierung ist das Symbol dafür, dass das Gerät besondere Anforderungen an die Isolierung erfüllt.

SICHERHEITSREGELN

DEFINITIONEN:

Gefährliche Spannungen sind definitionsgemäß die Bereiche: 75...1500 Volt Gleichspannung und 50...1000 Volt Wechselspannung.

Techniker sind qualifizierte Personen, die dazu ausgebildet oder angelernt sind, eine Installation, Bedienung oder evtl. Fehlersuche auszuführen, die sowohl technisch als auch sicherheitsmäßig vertretbar ist.

Bedienungspersonal sind Personen, die im Normalbetrieb mit dem Produkt die Drucktasten oder Potentiometer des Produktes einstellen bzw. bedienen und die mit dem Inhalt dieses Handbuches vertraut gemacht wurden.

EMPFANG UND AUSPACKEN:

Packen Sie das Gerät aus, ohne es zu beschädigen und sorgen Sie dafür, dass das Handbuch stets in der Nähe des Gerätes und zugänglich ist. Die Verpackung sollte beim Gerät bleiben, bis dieses am endgültigen Platz montiert ist. Kontrollieren Sie beim Empfang, ob der Gerätetyp Ihrer Bestellung entspricht.

UMGEBUNGSBEDINGUNGEN:

Direkte Sonneneinstrahlung, starke Staubentwicklung oder Hitze, mechanische Erschütterungen und Stöße sind zu vermeiden; das Gerät darf nicht Regen oder starker Feuchtigkeit ausgesetzt werden. Bei Bedarf muss eine Erwärmung, welche die angegebenen Grenzen für die Umgebungstemperatur überschreitet, mit Hilfe eines Kühlgebläses verhindert werden.

Alle Geräte gehören der Installationskategorie II, dem Verschmutzungsgrad 1 und der Isolationsklasse II an.

INSTALLATION:

Das Gerät darf nur von Technikern angeschlossen werden, die mit den technischen Ausdrücken, Warnungen und Anweisungen im Handbuch vertraut sind und diese befolgen.

Sollten Zweifel bezüglich der richtigen Handhabung des Gerätes bestehen, sollte man mit dem Händler vor Ort Kontakt aufnehmen. Sie können aber auch direkt mit **Red Lion Controls Worldwide Headquarters, 20 Willow Springs**

Circle, York, PA 17406 USA, Phone: +1 (717) 767-6511, Fax: +1 (717) 764-0839
Kontakt aufnehmen.

Die Installation und der Anschluss des Gerätes haben in Übereinstimmung mit den geltenden Regeln des jeweiligen Landes bez. der Installation elektrischer Apparaturen zu erfolgen, u.a. bezüglich Leitungsquerschnitt, (elektrischer) Vor-Absicherung und Positionierung.

Eine Beschreibung von Eingangs- / Ausgangs- und Versorgungsanschlüssen befindet sich auf dem Blockschaltbild und auf dem seitlichen Schild.

Für Geräte, die dauerhaft an eine gefährliche Spannung angeschlossen sind, gilt:

Die maximale Größe der Vorsicherung beträgt 10 A und muss zusammen mit einem Unterbrecherschalter leicht zugänglich und nahe am Gerät angebracht sein. Der Unterbrecherschalter soll derart gekennzeichnet sein, dass kein Zweifel darüber bestehen kann, dass er die Spannung für das Gerät unterbricht.

UL-EINBAUVORSCHRIFTEN:

Nur 60/75°C Kupferleiter anwenden

Nur für Anwendung in Verschmutzungsgrad 2 oder besser

Max. Umgebungstemperatur 60°C

Max. Leitungsquerschnitt..... AWG 26-14

UL Dateinummer E324843

KALIBRIERUNG UND JUSTIERUNG:

Während der Kalibrierung und Justierung sind die Messung und der Anschluss externer Spannungen entsprechend diesem Handbuch auszuführen, und der Techniker muss hierbei sicherheitsmäßig einwandfreie Werkzeuge und Instrumente benutzen.

BEDIENUNG IM NORMALBETRIEB:

Das Bedienungspersonal darf die Geräte nur dann einstellen oder bedienen, wenn diese auf vertretbare Weise in Schalttafeln o. ä. fest installiert sind, sodass die Bedienung keine Gefahr für Leben oder Material mit sich bringt. D. h., es darf keine Gefahr durch Berührung bestehen, und das Gerät muss so plaziert sein, dass es leicht zu bedienen ist.

REINIGUNG:

Das Gerät darf in spannungslosem Zustand mit einem Lappen gereinigt werden, der mit destilliertem Wasser leicht angefeuchtet ist.

HAFTUNG:

In dem Umfang, in welchem die Anweisungen dieses Handbuches nicht genau eingehalten werden, kann der Kunde PR electronics gegenüber keine Ansprüche geltend machen, welche ansonsten entsprechend der eingegangenen Verkaufsvereinbarungen existieren können.

ZERLEGUNG DES IAMS-GERÄTES

Zunächst ist gefährliche Spannung von den Anschlussklemmen zu trennen.

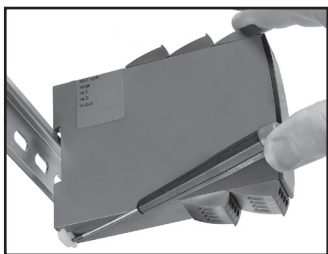


Abbildung 1:

Das Gerät wird von der DIN-Schiene gelöst, indem man den unteren Verschluss löst.

Wenn die Front LED rot leuchtet / Display zeigt AO.ER

Die IAMS0001 und IAMS0011 sind mit einem hohen Grad an Sicherheit konstruiert. Daher wird der 4...20 mA Ausgang kontinuierlich gemessen und kontrolliert. Wenn das Ausgangs-Stromsignal sich von der intern berechneten Ausgangswert unterscheidet oder der Stromausgang 0 ist (z.B. wegen eines Stromkreisbruches), schaltet das Gerät in den Fehler-Modus, die LED-Anzeige leuchtet rot und die Relais werden deaktiviert. Diese Funktion ist keine Standard-Option, sondern muss aktiv im Menü (S4...20 & S20...4) ausgewählt werden. Der Fehler-Modus kann nur zurückgesetzt werden durch Aus- und wieder Einschalten der Spannungsversorgung des Gerätes.

IAMS 0001 / 0011 / 0010

- *Eingang für WTH, TE, Ohm, Potmeter, mA und V*
- *2-Draht-Versorgung > 16 V*
- *FM-Zulassung für Installation in Div. 2*
- *Ausgänge für Strom, Spannung und 2 Relais*
- *Universelle Versorgung mit AC oder DC*

Erweiterte Merkmale

- Programmierbar mittels abnehmbare Frontdisplay (PGMMOD00), Prozesskalibrierung, Signal- und Relaisimulation, Passwortschutz, Fehlerdiagnose und Wahl von Hilfetext auf mehreren Sprachen.

Verwendung

- Elektronische, lineare Temperaturmessung mit Widerstandssensor oder Thermoelementsensoren.
- Umwandlung von linearer Widerstandsänderung in ein analoges Standardstrom / -Spannungssignal, z. B. von Magnetventilen, Schmetterlingsventilen oder lineare Bewegungen mit angeschlossene Potentiometer.
- Spannungsversorgung und Signaltrenner für 2-Draht-Messumformer.
- Prozesssteuerung mit 2 Paaren von potentialfreien Relaiskontakten die für jede Applikation angepasst werden können.
- Galvanische Trennung von Analogsignalen und Messung von Signalen, die nicht massegebunden sind.
- Die IAMS0001 und IAMS0011 sind gemäß den strengsten Sicherheitsrichtlinien entwickelt und somit in Installationen mit SIL 2 Applikationen einsetzbar

Technische Merkmale

- Wenn die Geräte in Kombination mit der Programmierfront eingesetzt wird, können alle operativen Parameter der entsprechenden Applikation angepasst werden. Die Geräte sind mit elektronischen Hardware-Schaltern ausgestattet und es ist nicht notwendig die Geräte zur Einstellung von DIP-Schaltern zu öffnen.
- Eine grüne / rote Leuchtdiode in der Front des Gerätes zeigt den normalen Betrieb und Fehlfunktionen an. Die gelben Leuchtdioden leuchten bei aktiviertem Ausgangsrelais.
- Ständige Prüfung wichtiger Speicherdaten aus Sicherheitsgründen.
- 2,3 kVAC galvanische Trennung der 4 Ports.

PGMMOD00 DISPLAY / PROGRAMMIERFRONT



Funktionalität

Die einfache Menüstruktur leitet automatisch durch die relevanten Einstellungen. Der scrollende Hilfetext macht es sehr einfach diese Geräte einzusetzen. Sie finden weitere Beschreibungen der Funktionen und Programmierungsmöglichkeiten im Abschnitt "Konfiguration / Bedienung der Funktionstasten".

Anwendungen

- Kommunikationsschnittstelle zur Änderung der operativen Parameter in der IAMS-Geräte.
- Kann von einem Gerät auf das nächste gesteckt werden um die Daten des ersten Gerätes auf den nächsten zu übertragen.
- Stationäres Display zur Visualisierung der Prozessdaten und des Status.

Technische Merkmale

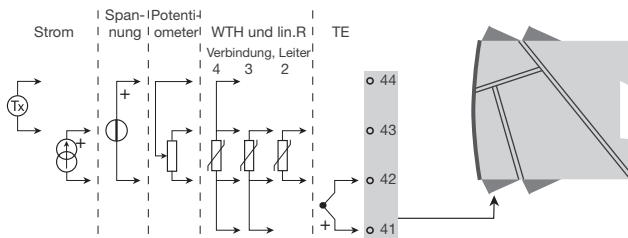
- LCD Display mit 4 Zeilen; Zeile 1 (.2 Inch/5,57 mm hoch) zeigt das Eingangssignal, Zeile 2 (.13 Inch/3,33 mm hoch) die Einheiten, Zeile 3 (.13 Inch/3,33 mm hoch) den Analogausgang oder den Geräte-TAG und Zeile 4 den Kommunikations- und Relaisstatus an.
- Der Zugriff auf die Programmierung kann mit der Eingabe eines Passwortes blockiert werden. Das Passwort wird im Gerät gespeichert, um den höchsten Grad an Schutz gegen nicht autorisierte Änderungen der Konfiguration sicherzustellen.

Montage / Installation

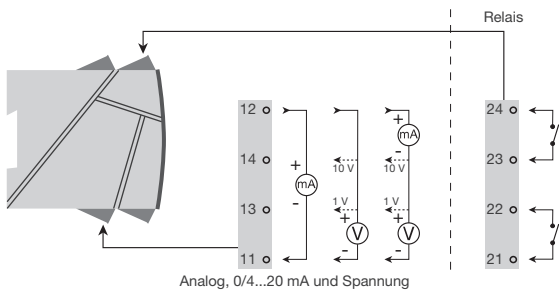
- Stecke das PGMMOD00 auf die Front des Gerätes.

ANWENDUNGEN

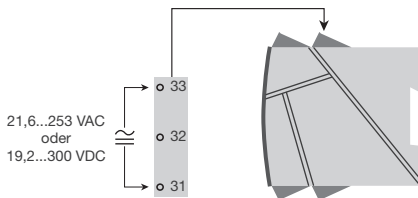
Eingangssignale:



Ausgangssignale:



Versorgung:



Bestellangaben

IAMS0001	Universalmessumformer mit Analog-Ausgang
IAMS0011	Universalmessumformer mit Analog-Ausgang / 2 Relais
IAMS0010	Universal-Grenzwertschalter mit 2 Relais
PGMMOD00	Display / Programmierfront

Elektrische Daten

Umgebungstemperatur:

-20°C bis +60°C

Allgemeine Daten:

Universelle Versorgungsspannung	21,6...253 VAC, 50...60 Hz oder 19,2...300 VDC
Stromverbrauch max.....	≤ 2,5 W
Sicherung	400 mA SB / 250 VAC
Isolationsspannung, Test / Betrieb.....	2,3 kVAC / 250 VAC
Kommunikationsschnittstelle	Programmierfront PGMMOD00
Signal- / Rauschverhältnis	Min. 60 dB (0...100 kHz)
Ansprechzeit (0...90%, 100...10%):	
Temperatureingang	≤ 1 s
mA- / V-Eingang.....	≤ 400 ms
Kalibrierungstemperatur.....	20...28°C

Auflösung der Anzeige: Die Anzeige der Temperatur wechselt automatisch auf Zehntel mit Werten von weniger als 1000 Grad.

Genauigkeit: Der höhere Wert der allgemeinen Werte oder Grundwerte:

Allgemeine Werte		
Eingangsart	Absolute Genauigkeit	Temperaturkoeffizient
Alle	≤ ±0,1% d. Messsp.	≤ ±0,01% d. Messsp. / °C

Grundwerte		
Eingangsart	Grundgenauigkeit	Temperaturkoeffizient
mA	$\leq \pm 4 \mu\text{A}$	$\leq \pm 0,4 \mu\text{A} / ^\circ\text{C}$
Volt	$\leq \pm 20 \mu\text{V}$	$\leq \pm 2 \mu\text{V} / ^\circ\text{C}$
Pt100	$\leq \pm 0,2^\circ\text{C}$	$\leq \pm 0,01^\circ\text{C} / ^\circ\text{C}$
Lin. R	$\leq \pm 0,1 \Omega$	$\leq \pm 0,01 \Omega / ^\circ\text{C}$
Potentiometer	$\leq \pm 0,1 \Omega$	$\leq \pm 0,01 \Omega / ^\circ\text{C}$
TE-Typ: E, J, K, L, N, T, U	$\leq \pm 1^\circ\text{C}$	$\leq \pm 0,05^\circ\text{C} / ^\circ\text{C}$
TE-Typ: R, S, W3, W5, LR	$\leq \pm 2^\circ\text{C}$	$\leq \pm 0,2^\circ\text{C} / ^\circ\text{C}$
TE-Typ: B 85...200°C	$\leq \pm 4^\circ\text{C}$	$\leq \pm 0,4^\circ\text{C} / ^\circ\text{C}$
TE-Typ: B 200...1820°C	$\leq \pm 2^\circ\text{C}$	$\leq \pm 0,2^\circ\text{C} / ^\circ\text{C}$

EMV Störspannungseinfluss $< \pm 0,5\%$ d. Messsp.

Erweitere EMV Störfestigkeit:

NAMUR NE 21, Kriterium A, Burst..... $< \pm 1\%$ d. Messsp.

Hilfsspannungen:

2-Draht-Versorgung (Klemme 44...43) 25...16 VDC / 0...20 mA

Leitungsquerschnitt (max.)..... $1 \times 2,5 \text{ mm}^2$ Litzendraht

Klemmschraubenanzugsmoment..... 0,5 Nm

Relative Luftfeuchtigkeit..... $< 95\%$ RF (nicht kond.)

Abmessungen, mit Frontdisplay (HxBxT).... 109 x 23,5 x 104 mm

Abmessungen , ohne Frontdisplay (HxBxT) 109 x 23,5 x 116 mm

Schutzart (Gehäuse / Klemme) IP50 / IP20

Gewicht 170 g / 185 g mit PGMMOD00

WTH-, linearer Widerstands- und Potentiometereingang:

Eingangsart	Min. Wert	Max. Wert	Norm
Pt100	-200°C	+850°C	IEC60751
Ni100	-60°C	+250°C	DIN 43760
Lin. R	0 Ω	10000 Ω	-
Potentiometer	10 Ω	100 k Ω	-

Eingang für TE-Typen:

Pt10, Pt20, Pt50, Pt100, Pt200, PT250, Pt300, Pt400, Pt500, Pt1000

Ni50, Ni100, Ni120, Ni1000

Kabelwiderstand pro Leiter (max.), WTH 50 Ω

Fühlerstrom, WTH Nom. 0,2 mA

Wirkung des Leitungswiderstandes

(3- / 4-Leiter), WTH < 0,002 Ω / Ω

Fühlerfehlererkennung, WTH..... Ja

Kurzschlusserkennung, WTH..... < 15 Ω

TE-Eingang:

Typ	Min. Wert	Max. Wert	Norm
B	0°C	+1820°C	IEC 60584-1
E	-100°C	+1000°C	IEC 60584-1
J	-100°C	+1200°C	IEC 60584-1
K	-180°C	+1372°C	IEC 60584-1
L	-200°C	+900°C	DIN 43710
N	-180°C	+1300°C	IEC 60584-1
R	-50°C	+1760°C	IEC 60584-1
S	-50°C	+1760°C	IEC 60584-1
T	-200°C	+400°C	IEC 60584-1
U	-200°C	+600°C	DIN 43710
W3	0°C	+2300°C	ASTM E988-90
W5	0°C	+2300°C	ASTM E988-90
LR	-200°C	+800°C	GOST 3044-84

Kompensationsgenauigkeit (CJC)

via interner Fühler < $\pm 1^\circ\text{C}$

Fühlerfehlererkennung, alle TE-Typen..... Ja

Fühlerfehlerstrom:

Bei Erkennung..... Nom. 2 μA

Sonst..... 0 μA

Stromeingang:

Messbereich 0...20 mA

Programmierbare Messbereiche 0...20 und 4...20 mA

Eingangswiderstand bei 20°C Max. 70 Ω
(20 Ω + 50 Ω Kaltleiter)

Fühlerfehlererkennung:

Schleifenunterbrechung 4...20 mA..... Ja

Spannungseingang:

Messbereich 0...12 VDC

Programmierbare Messbereiche 0...1 / 0,2...1 / 0...5 / 1...5 /
0...10 und 2...10 VDC

Eingangswiderstand Nom. 10 M Ω

Stromausgang:

Signalbereich (Spanne) 0...20 mA

Programmierbare Signalbereiche..... 0...20 / 4...20 /

20...0 und 20...4 mA

Belastung (max.)..... 20 mA / 800 Ω / 16 VDC

Belastungsstabilität $\leq 0,01\%$ d. Messspanne / 100 Ω

Fühlerfehlererkennung..... 0 / 3,5 / 23 mA / keine

NAMUR NE 43 Up- / Downscale 23 mA / 3,5 mA

Ausgangsbegrenzung:

4...20 und 20...4 mA Signale..... 3,8...20,5 mA

0...20 und 20...0 mA Signale..... 0...20,5 mA

Strombegrenzung..... ≤ 28 mA

Spannungsausgang:

Signalbereich..... 0...10 VDC

Programmierbare Signalbereiche..... 0...1 / 0,2...1 / 0...10 / 0...5 /

1...5 / 2...10 / 1...0 / 1...0,2 / 5...0 /

5...1 / 10...0 og 10...2 V

Belastung (min.)..... 500 k Ω

Relaisausgänge:

Relaisfunktionen..... Sollwert, Fenster, Fühlerfehler,
Power und Off

Hysterese 0,1...25% d. Messssp. oder des
Displaybereichs

On- / Off-Verzögerung..... 0...3600 s

Fühlerfehlerbetätigung Schliessen / Öffnen / Halten

Maximalspannung 250 VRMS

Maximalstrom..... 2 A / AC oder 1 A / DC

Max. Wechselstromleistung 500 VA

Ex- / I.S.-Zulassung:

FM, Anwendungsbereich in..... Class I, Div. 2, Group A, B, C, D
Class I, Div. 2, Group IIC
Zone 2

Max. Umgebungstemperatur für T5..... 60°C

Eingehaltene Richtlinien:

Norm:

EMV 2004/108/EG

Abstrahlung und Störfestigkeit EN 61326-1

LVD 2006/95/EG..... EN 61010-1

FM 3600, 3611, 3810 und ISA 82.02.01

UL, Standard for Safety UL 508

d. Messspanne = der momentan gewählten Messspanne

Visualisierung: Sensorfehlererkennung und Eingangssignal außerhalb des Bereichs

Sensorfehlerprüfung:	
Konfiguration	Fehlererkennung
R1, ERR.ACT=NONE - R2, ERR.ACT=NONE, OUT.ERR=NONE.	OFF
Sonst:	ON

Außerhalb des Bereichs Anzeige (IN.LO, IN.HI): Bei Verlassen des Gewählten Bereichs des A/D-Wandlers oder des Polynoms.			
Eingang	Bereich	Anzeige	Grenze
VOLT	0...1 V / 0,2...1 V	IN.LO	< -25 mV
		IN.HI	> 1,2 V
	0...10 V / 2...10 V	IN.LO	< -25 mV
		IN.HI	> 12 V
CURR	0...20 mA / 4...20 mA	IN.LO	< -1,05 mA
		IN.HI	> 25,05 mA
LIN.R	0...800 Ω	IN.LO	< 0 Ω
		IN.HI	> 1075 Ω
	0...10 k Ω	IN.LO	< 0 Ω
		IN.HI	< 110 k Ω
POTM	-	IN.LO	< -0,5 %
		IN.HI	> 100,5 %
TEMP	TE / WTH	IN.LO	< Temperaturbereich -2°C
		IN.HI	> Temperaturbereich +2°C

Display Anzeige unter Min.- / über Max. (-1999, 9999):			
Eingang	Bereich	Anzeige	Grenze
Alle	Alle	-1999	Display Anzeige <-1999
		9999	Display Anzeige >9999

Grenzen Fühlerfehlererkennung

Fühlerfehlererkennung (SE.BR, SE.SH):			
Eingang	Bereich	Anzeige	Grenze
CURR	Schleife unterbrochen (4...20 mA)	SE.BR	<= 3,6 mA; > = 21 mA
POTM	Alle, SE.BR auf alle 3-Leiter	SE.BR	> ca. 126 k Ω
LIN.R	0...800 Ω	SE.BR	> ca. 875 Ω
	0...10 k Ω	SE.BR	> ca. 11 k Ω
TEMP	TC	SE.BR	> ca. 750 k Ω / (1,25 V)
	WTH, 2-, 3- und 4-Leiter	SE.BR	> ca. 15 k Ω
	Kein SE.SH für Pt10, Pt20 und Pt50	SE.SH	< ca. 15 Ω

Fehleranzeige

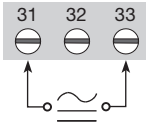
Anzeige bei Hardwarefehler		
Fehlersuche	Anzeige	Fehlergrund
Test des internen CJC-Fühlers	CJ.ER	CJC-Fühler defekt oder Temp. außerh. des Bereichs
Checksum Test der Konfiguration im FLASH	FL.ER	Fehler im FLASH
Überprüfe Messung der analoger Ausgangsspannung	AO.ER	1) Inkorrektter Stromausgang (nur S4...20 mA/S20...4 mA)
Überprüfe Kommunikation zwischen PGMMOD00 / Gerät	NO.CO	Verbindungsfehler
Überprüfe ob Eingangssignal an Eingangskonfiguration passt	IN.ER	1) Fehlerniv. im Eingang
Überprüfe ob Konfiguration im PGMMOD00 an Gerät passt	TY.ER	Konfig. passt nicht an Gerät

! Fehleranzeige im Display blinkt einmal pro Sekunde. Der Hilfetext erklärt den Fehler.

1) Um das Gerät zurückzusetzen, muss die Versorgungsspannung kurz unterbrochen werden.

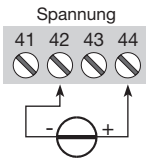
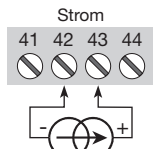
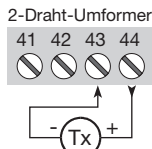
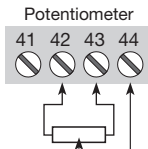
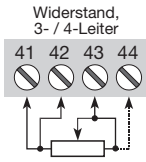
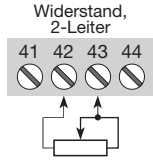
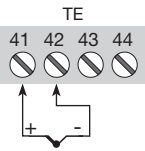
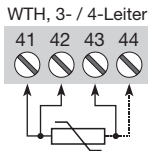
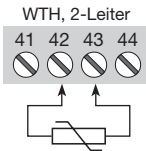
ANSCHLÜSSE

Versorgung:



Wenn Gleichstrom verwendet wird, spielt Polarität keine Rolle

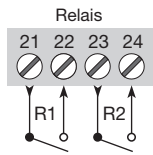
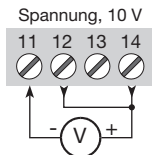
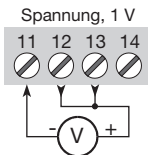
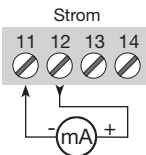
Eingänge:



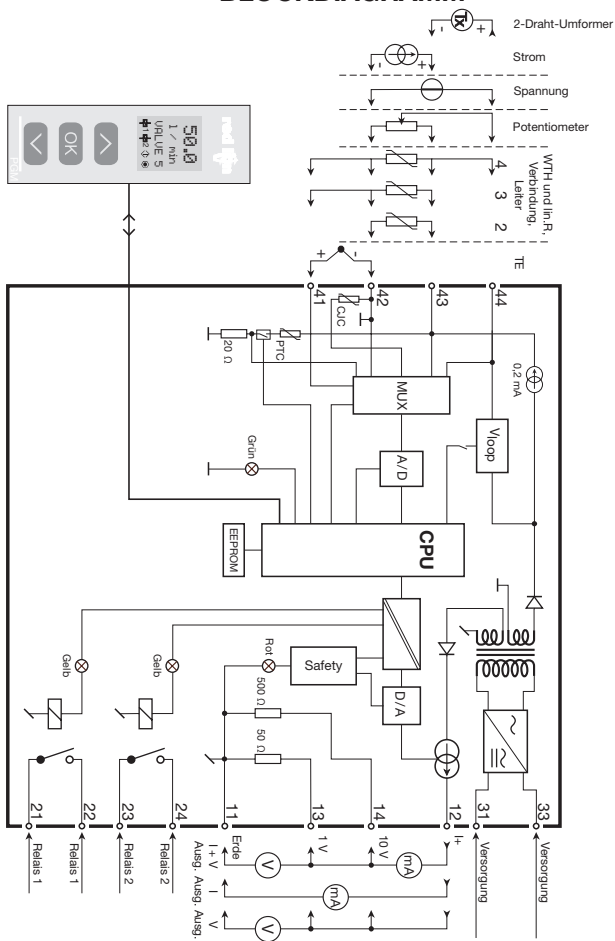
Stromeingang die IAMS Versorgung braucht

Messumformer mit Schleifenversorgung oder externer Versorgung

Ausgänge:



BLOCKDIAGRAMM



KONFIGURATION / BEDIENUNG DER FUNKTIONSTASTEN

Dokumentation für das Flussdiagramm.

Grundsätzliches:

Bei der Konfiguration des IAMS-Gerätes werden Sie durch alle Parameter geleitet und Sie können die Einstellungen wählen, welche zur Applikation passt.

Für jedes Menü existiert ein scrollender Hilfetext welcher automatisch in der 3. Zeile im Display gezeigt wird.

Die Konfiguration wird mittels der 3 Funktionstasten durchgeführt:

- ⤴ erhöht den numerischen Wert oder wählt nächsten Parameter
- ⤵ setzt den numerischen Wert herab oder wählt nächsten Parameter
- OK übernimmt den gewählten Wert und beendet das Menü

Wenn eine Konfiguration eingegeben worden ist, kehrt das Display auf den Menüpunkt 1.0 zurück

Bei drücken und halten von OK springt man zurück zum vorherigen Menü oder in den Normal-Zustand (1.0) ohne die geänderten Werte oder Parameter zu speichern.

Wenn für 1 Minute keine Taste betätigt wird, geht das Display in den Normal-Zustand zurück, ohne die geänderten Werte oder Parameter zu speichern.

Weitere Erklärungen:

Schnelle SollwertEinstellung und RelaiTest: Diese Menüs erlauben Ihnen einen schnellen Schaltpunktwechsel oder einen RelaiTest wenn FastSet aktiviert ist. Diese Funktion kann nur aktiviert werden, wenn die Relais als Schaltpunkt Relais programmiert sind.

Das gleichzeitige Drücken der Tasten ⤴ und ⤵ aktiviert den RelaiTest und ändert den Status des Relais.

Die Betätigung von OK speichert die Sollwertänderung.

Wird die Taste OK für mehr als 1 Sekunde gehalten, kehrt das Display auf den Menüpunkt 1.0 zurück und eventuelle Sollwertänderungen werden nicht gespeichert.

Passwortschutz: Der Zugriff auf die Programmierung kann mit der Eingabe eines Passwortes blockiert werden. Das Passwort wird im Gerät gespeichert, um den höchsten Grad an Schutz gegen nicht autorisierte Änderungen der Konfiguration sicherzustellen. Bei Eingabe des Master-Passwortes 2008 sind alle Konfigurationsmenüs erreichbar.

Signal- und Sensorfehlerinformation per Programmierfront

Sensorfehler (s. Grenzen im Diagramm), wird als SE.BR (Sensorfehler) oder SE.SH (Fühlerkurzschluß) angezeigt. Signale, ausserhalb des gewählten Bereichs (kein Sensorfehler, s. Tabelle für Grenzen), werden als IN.LO (niedriges Eingangssignal) oder IN.HI (hohes Eingangssignal) angezeigt. Die Fehlermeldung wird in der 3. Zeile als blinkender Text mit blinkender Hintergrundbeleuchtung angezeigt. Zeile 4 der Anzeige zeigt den Schaltzustand der Relais 1 und 2 an; COM (blinkendes Kugelsymbol) zeigt an, ob das PGMMOD00 korrekt funktioniert und hoch/runter Pfeile zeigen tendenziell das Eingangssignal an. Blinkende Zahl 1 oder 2 zeigt an, dass der Grenzwert überschritten wurde und dass das Relais sich im Verzögerungsmodus befindet. Wenn die Verzögerungszeit abgelaufen ist und das Relais anzieht bzw. abfällt, erscheint oder erlischt das Relaisymbol.

Signal und Sensorfehleranzeige ohne Programmierfront

Der Status des Gerätes kann auch durch die rote/grüne LED an der Gerätefront abgelesen werden.

Grün blinkende LED 13 Hz zeigt normalen Betrieb an.

Grün blinkende LED 1 Hz zeigt Sensorfehler an.

Dauernd rot leuchtende LED zeigt internen Fehler an.

Relaisfunktionen

5 verschiedene Einstellungen für die Relaisfunktionen können ausgewählt werden.

Grenzwert: Das Relais wird bei einem Grenzwert mit Hysterese aktiviert.

Fensterfunktion: Das Relais hat eine Fensterfunktion, in der ein Schalt- und Rückschaltpunkt gesetzt wird. Auf beiden Seiten des Fensters hat das Relais den gleichen Status.

Fehlerfunktion: Das Relais wird bei Sensorfehler aktiviert.

Power: Das Relais ist so lange aktiv, wie die Versorgungsspannung anliegt.

OFF: Das Relais ist deaktiviert.

Signalanstieg/-abfall: Das Relais kann bei ansteigenden oder abfallenden Eingangssignal aktiviert werden.

Verzögerung: Ein AN- sowohl als auch ein AUS-Verzögerungssignal kann für beide Relais im Bereich von 0...3600 s programmiert werden.



Hysterese: Die Hysterese kann im Bereich von 0,1...25% der Spanne oder des Displaybereichs eingestellt werden.

Hauptfunktionen

Das Gerät bietet Zugang zu verschiedenen Funktionen, welche mit "yes" bei der Abfrage „adv.set“ bestätigt werden muß.

Anzeigeeinstellungen: Sie können Werte einstellen, wie Displaykontrast und Hintergrundhelligkeit. Einstellung der TAG-Nummer mit 6 alphanumerischen Werten. Auswahl der Anzeigefunktion in der dritten Zeile zwischen Analogausgang oder TAG Nummer.

Zweipunkt Prozesskalibrierung: Mit dem Gerät kann mit zwei Punkten des Eingangssignals eine Prozesskalibrierung durchgeführt werden. Ein niedriges Eingangssignal (0% nicht unbedingt nötig) muss anliegen und der aktuelle Wert wird übernommen. Dann wird ein höherer Wert (nicht unbedingt 100%) eingelesen. Wenn Sie die Kalibrierung akzeptieren, wird das Gerät mit den neuen Werten übernommen. Wenn Sie später diese Werte verwerfen oder andere Parameter eingeben, wird die Werkskalibrierung übernommen.

Prozesssimulationsfunktion: Wenn Sie die Abfrage "EN.SIM" bestätigen, ist es möglich ein Eingangssignal zu simulieren, d.h. die hoch/runter Tasten kontrollieren das Ausgangssignal. Wenn Sie mit  bestätigen, springt das Gerät wieder in den Normalmodus. Der folgende Punkt bietet die Möglichkeit Relais 1 und 2 mit den hoch/runter-Tasten zu aktivieren. Das Menu kann nur verlassen werden beim Drücken auf  (keine Zeitauslösung).

Passwort: Sie können ein Passwort zwischen 0000 und 9999 einstellen, um ein unbefugtes Verändern der Parameter zu vermeiden. Das Gerät wird werksseitig ohne Passworteingabe ausgeliefert. Falls Sie versehentlich das Gerät blockiert haben, können Sie es mit dem Masterpasswort „2008“ jederzeit freigeben.

Sprache: Im Menü können Sie zwischen 7 verschiedenen Sprachen auswählen, die Sie mit Hilfetexten unterstützen. Sie können auswählen zwischen: UK, DE, FR, IT, ES, SE und DK.

Selbstdiagnose

Das Gerät führt eine Selbstdiagnose des internen Kreises durch. Die folgenden Fehlermeldungen können im Frontdisplay PGMMOD00 angezeigt werden.

- CJ.ER - CJC-Fühler defekt oder Temperatur außerhalb des Bereichs
- FL.ER - Fehler im Flash
- AO.ER - Der Stromausgang ist unbelastet (nur für S4...20 mA / S20...4 mA)
- NO.CO - Verbindungsfehler
- IN.ER - Fehlerniveaus im Eingang
- TY.ER - Konfiguration im PGMMOD00 weicht von diesem Produkttyp / dieser Revision des Firmwares ab

Auswahl der Einheiten

Nach Auswahl des Eingangssignals, können Sie auswählen, welchen Prozesswert sie anzeigen möchten (Textzeile 2 im Diagramm). Wenn man Temperatursignal als Eingangsparameter auswählt, wird der Wert in °C oder °F angezeigt. Dieses wird nach Auswahl des Temperatureingangs im Menüpunkt ausgewählt.

Sicherheitsüberwachung

Wenn das Gerät mit der Standard-Konfiguration ausgeliefert wird, ist die SIL-Funktion deaktiviert. Die Sicherheitsüberwachungsfunktion (Loop-Überwachung) kann im Menü O. RANGE gewählt werden, damit das Gerät in den SIL-Modus übergeht. Um die SIL-Funktion zu aktivieren, muss der Menüpunkt S4...20 mA oder S20...40 mA gewählt werden. Bitte beachten Sie jedoch, wenn die Sicherheitsüberwachung aktiviert ist, wird ein Sensorfehler als Fehler des analogen Ausgangssignals angezeigt.

Memory

Im Memory-Menü können Sie die Konfiguration des Gerätes im PGMMOD00 speichern. Das PGMMOD00 kann danach auf das nächste Gerät des gleichen Typs/Firmware-Version gesteckt werden und die Konfiguration auf dieses Gerät übertragen.

Wenn das Frontdisplay auf das Gerät gesteckt wird, wird das Gerät gelesen.

Keine Konfiguration: Die Konfiguration des Gerätes wird im Frontdisplay geladen (ohne zu speichern).

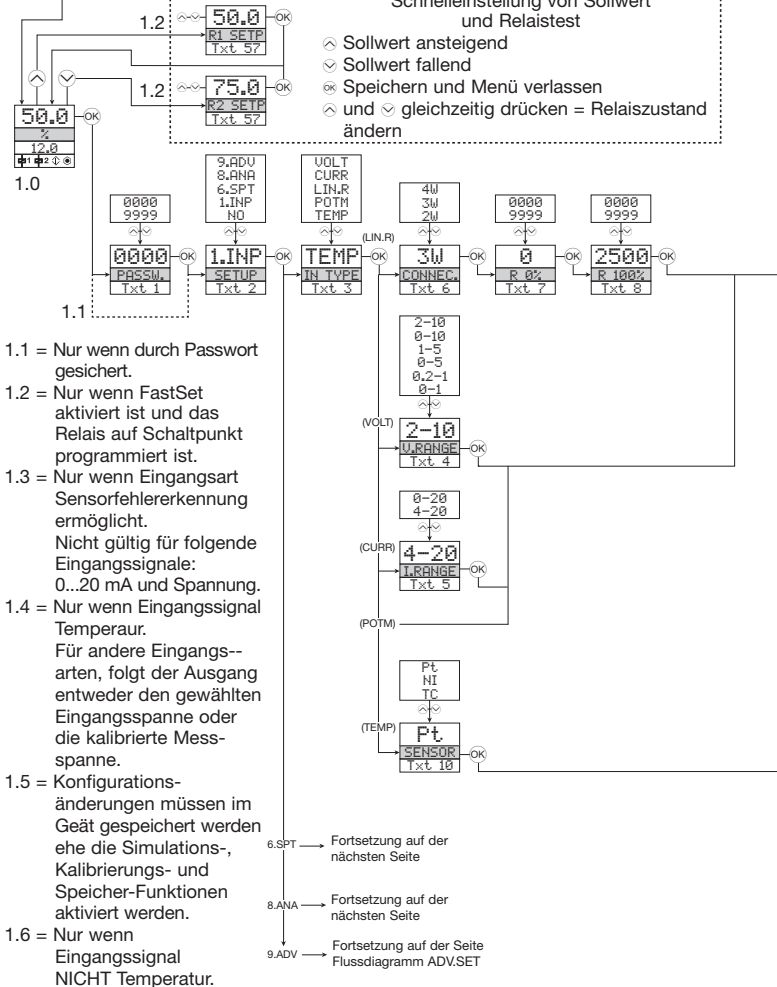
Speichern (SAVE): Speicher Geräte-Konfiguration im Frontdisplay.

Laden (LOAD): Lade zuvor im Frontdisplay gespeicherte Konfiguration in das Gerät.

Power up

Schnelleinstellung von Sollwert und Relaiszeit

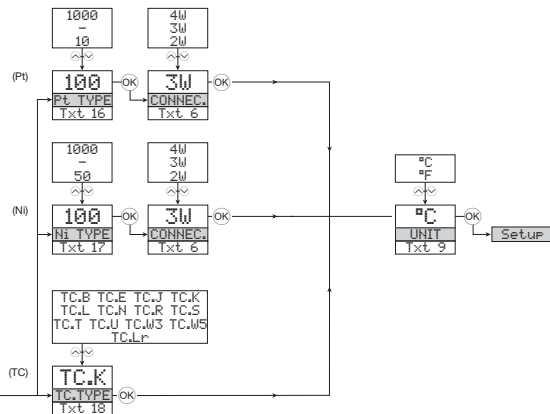
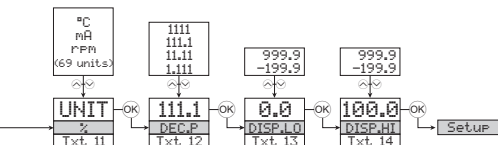
- ⤴ Sollwert ansteigend
- ⤵ Sollwert fallend
- ⊗ Speichern und Menü verlassen
- ⤴ und ⤵ gleichzeitig drücken = Relaiszustand ändern



FLUSSDIAGRAMM

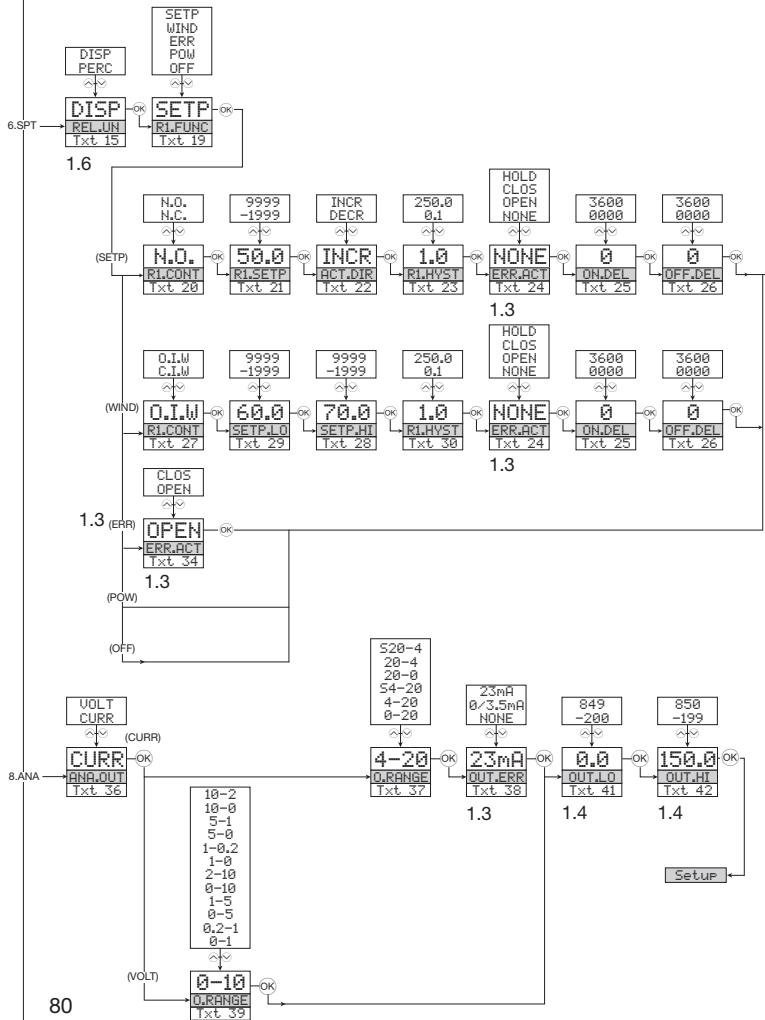
Wenn für eine Dauer von 1 Minute keine Taste betätigt wird, kehrt das Display auf den Menüpunkt 1.0 zurück und eventuelle Änderungen in der Konfiguration werden nicht gespeichert.

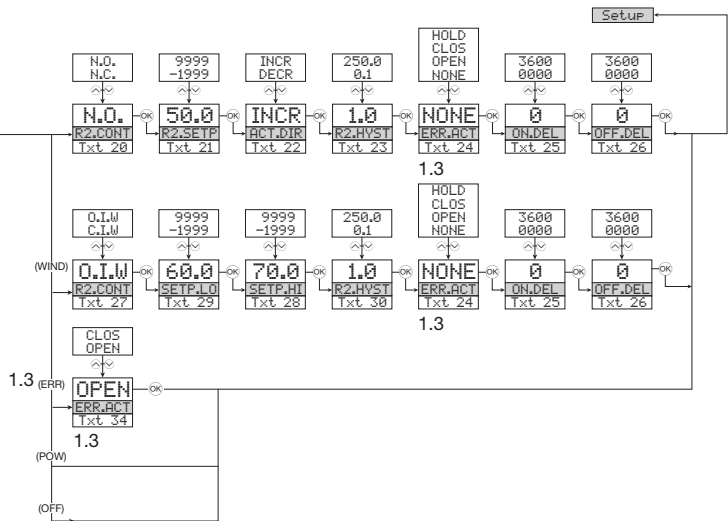
- ⏴ Wert erhöhen / nächsten Parameter wählen
- ⏵ Wert herabsetzen / vorherigen Parameter Wählen
- ⊗ Parameter speichern und nächsten Parameter wählen
- Halten ⊗ Zurück zum vorherigen Parameter / zurück zum Menüpunkt 1.0 ohne Speicherung von Änderungen



Wählbare EINHEITEN:

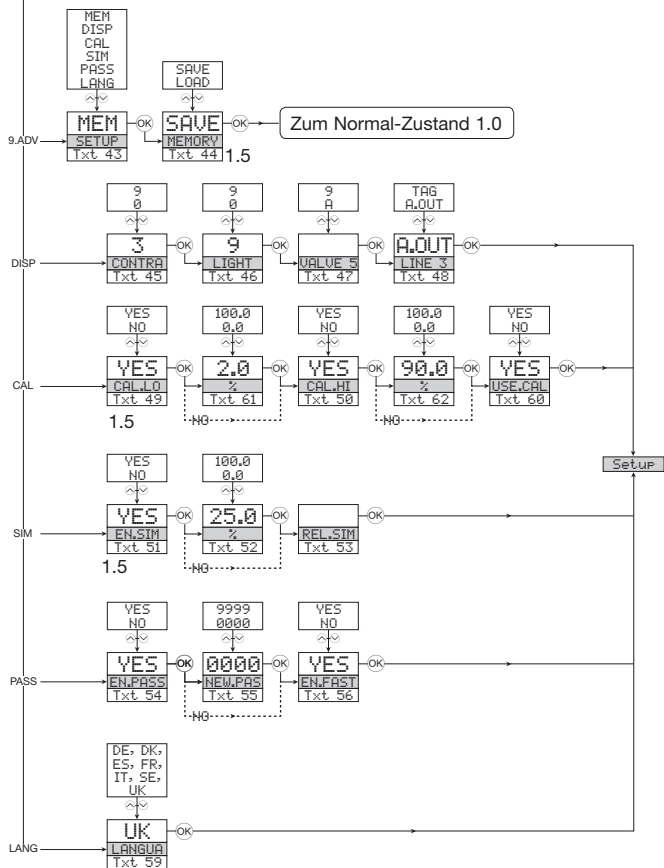
°C	ft/min	Hz	kg	l/min	m ³ /h	mol	pH	uS
°F	ft/s	in	kJ	l/s	m ³ /min	MPa	rPM	U
%	g	in/h	kPa	m	mA	mV	s	W
A	gal/h	in/min	kV	m/h	mbar	MW	S	Wh
bar	gal/min	in/s	kW	m/min	mils	MWh	t	yd
cm	GW	ips	kWh	m/s	min	N	t/h	[blank]
ft	hp	K	l	m/s ²	mm	Ohm	uA	
ft/h	hPa	kA	l/h	m ³	mm/s	Pa	um	





FLUSSDIAGRAMM

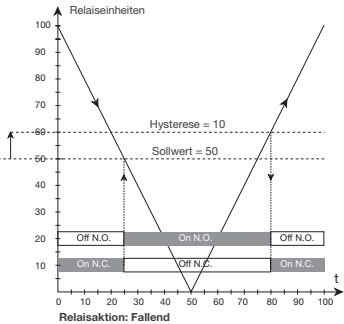
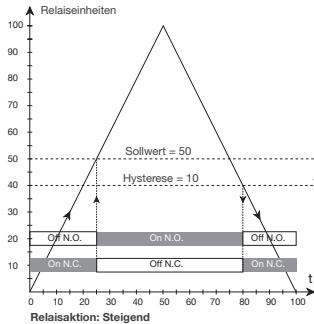
Erweiterte Einstellungen (ADV.SET)



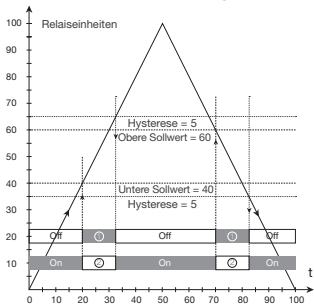
SCROLLENDER HILFETEXT IM DISPLAY ZEILE 3

- [01] Einstellung des korrekten Passwortes
- [02] Auswahl Konfigurationsmenü oder NO um zu speichern und Menü zu verlassen
- [03] Auswahl Temperatur-Eingang
Auswahl Potentiometer-Eingang
Auswahl linearer Widerstandseingang
Auswahl Stromeingang
Auswahl Spannungseingang
- [04] Wähle 0.0-1 V Eingangsbereich
Wähle 0.2-1 V Eingangsbereich
Wähle 0-5 V Eingangsbereich
Wähle 1-5 V Eingangsbereich
Wähle 0-10 V Eingangsbereich
Wähle 2-10 V Eingangsbereich
- [05] Wähle 0-20 mA Eingangsbereich
Wähle 4-20 mA Eingangsbereich
- [06] Wähle 2-Leiter Sensoranschluss
Wähle 3-Leiter Sensoranschluss
Wähle 4-Leiter Sensoranschluss
- [07] Einstellung unterer Widerstandswert
- [08] Einstellung oberer Widerstandswert
- [09] Wähle Celsius als Temperatureinheit
Wähle Fahrenheit als Temperatureinheit
- [10] Wähle TC Sensor Typ
Wähle Ni Sensor Typ
Wähle Pt Sensor Typ
- [11] Wähle Display Einheit
- [12] Wähle Dezimalpunkt Position
- [13] Einstellung unterer Displaybereich
- [14] Einstellung oberer Displaybereich
- [15] Einstellung Relais in % vom Eingangsbereich
Einstellung Relais in Display Einheiten
- [16] Wähle Pt10 als Sensor Typ
Wähle Pt20 als Sensor Typ
Wähle Pt50 als Sensor Typ
Wähle Pt100 als Sensor Typ
Wähle Pt200 als Sensor Typ
Wähle Pt250 als Sensor Typ
Wähle Pt300 als Sensor Typ
Wähle Pt400 als Sensor Typ
Wähle Pt500 als Sensor Typ
Wähle Pt1000 als Sensor Typ
- [17] Wähle Ni50 als Sensor Typ
Wähle Ni100 als Sensor Typ
Wähle Ni120 als Sensor Typ
Wähle Ni1000 als Sensor Typ
- [18] Wähle TC-B als Sensor Typ
Wähle TC-E als Sensor Typ
Wähle TC-J als Sensor Typ
Wähle TC-K als Sensor Typ
Wähle TC-L als Sensor Typ
Wähle TC-N als Sensor Typ
Wähle TC-R als Sensor Typ
Wähle TC-S als Sensor Typ
Wähle TC-T als Sensor Typ
Wähle TC-U als Sensor Typ
Wähle TC-W3 als Sensor Typ
Wähle TC-W5 als Sensor Typ
Wähle TC-Lr als Sensor Typ
- [19] Wähle OFF Funktion - Relais ist permanent aus
Wähle Power Funktion - Relais zeigt Power Status OK
Wähle Error Funktion - Relais zeigt nur Sensorfehler
Wähle Fenster Funktion - Relais steuert 2 Schaltpunkte
Wähle Schalterpunkt Funkt. - Relais steuert 1 Schaltpunkt
- [20] Wähle Normally Closed Kontakt
Wähle Normally Open Kontakt
- [21] Einstellung Relais Schaltpunkt
- [22] Ansteuern des Relais bei fallendem Signal
Ansteuern des Relais bei steigendem Signal
- [23] Einstellung Hysterese Relais
- [24] Keine Fehlerwirkung - undefinierter Status bei Fehler
Geöffneter Relaiskontakt bei Fehler
Geschlossener Relaiskontakt bei Fehler
Hält Relaisstatus bei Fehler
- [25] Einstell. der Relais Einschaltverzögerung in Sekunden
- [26] Einstell. der Relais Ausschaltverzögerung in Sekunden
- [27] Relaiskontakt ist im Fenster geschlossen
Relaiskontakt ist im Fenster geöffnet
- [28] Einstellung Relaisfenster oberer Schaltpunkt
- [29] Einstellung Relaisfenster unterer Schaltpunkt
- [30] Einstellung Relaisfenster Hysterese
- [34] Geöffneter Relaiskontakt bei Fehler
Geschlossener Relaiskontakt bei Fehler
- [36] Auswahl Strom als Analogausgang
Auswahl Spannung als Analogausgang
- [37] Auswahl 0-20 mA Ausgangsbereich
Auswahl 4-20 mA Ausgangsbereich
Auswahl 4-20 mA mit Sicherheitsüberwachung
Auswahl 20-0 mA Ausgangsbereich
Auswahl 20-4 mA mit Sicherheitsüberwachung
- [38] Auswahl keine Fehlererkennung - Ausgang undefiniert bei Fehler
Wähle Downscale bei Fehler
Wähle NAMUR NE43 Downscale bei Fehler
Wähle NAMUR NE43 Upscale bei Fehler
- [39] Auswahl 0.0-1 V Ausgangsbereich
Auswahl 0,2-1 V Ausgangsbereich
Auswahl 0-5 V Ausgangsbereich
Auswahl 1-5 V Ausgangsbereich
Auswahl 0-10 V Ausgangsbereich
Auswahl 2-10 V Ausgangsbereich
Auswahl 1-0,0 V Ausgangsbereich
Auswahl 1-0,2 V Ausgangsbereich
Auswahl 5-0 V Ausgangsbereich
Auswahl 5-1 V Ausgangsbereich
Auswahl 10-0 V Ausgangsbereich
Auswahl 10-2 V Ausgangsbereich
- [41] Einstellung Temperatur für Analogausgang LOW
- [42] Einstellung Temperatur für Analogausgang HIGH
- [43] Eingabe Sprachwahl
Eingabe Passwort Einstellung
Eingabe Simulationsmodus
Prozesskalibrierung ausführen
Eingabe Display Setup
Memory Operationen Ausführen
- [44] Lade gespeicherte Konfiguration in das Gerät
Speicher Geräte-Konfiguration im PGMMOD00
- [45] Einstellung LCD Kontrast
- [46] Einstellung LCD Hintergrundbeleuchtung
- [47] Schreibe eine 6-Zeichen Geräte TAG Nummer
- [48] Analoge Ausgangswert wird in Zeile 3 angezeigt
Geräte TAG wird im Zeile 3 des Displays angezeigt
- [49] Kalibriere Input Low zum Prozesswert
- [50] Kalibriere Input High zum Prozesswert
- [51] Ermögliche Simulationsmodus
- [52] Setze den Eingangs- Simulationswert
- [53] Relaisimulation - benutze \wedge und \vee um Relais 1 und 2 umzuschalten
- [54] Ermögliche Passwortschutz
- [55] Eingabe eines neuen Passworts
- [56] Einschalten der Schnelleinstellungs- Funktionalität
- [57] Relais Schaltpunkt - Drücke \otimes zum speichern
- [58] Relais Schaltpunkt - Nur lesen
- [59] Wähle Sprache
- [60] Verwende Prozesskalibrierungswerte?
- [61] Eingabe des Wertes für den unteren Kalibrierungspunkt
- [62] Eingabe des Wertes für den oberen Kalibrierungspunkt

Graphische Abbildung der Relaisfunktion Sollwert



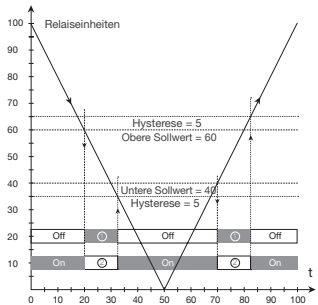
Graphische Abbildung der Relaisfunktion Fenster



Relaisfunktion: Fenster (für steigendes Signal angezeigt)

Kontakt: Geschlossen im Fenster = ○

Kontakt: Geöffnet im Fenster = ⊙



Relaisfunktion: Fenster (für fallendes Signal angezeigt)

Kontakt: Geschlossen im Fenster = ○

Kontakt: Geöffnet im Fenster = ⊙

Red Lion Controls Worldwide

Headquarters
20 Willow Springs Circle
York, PA 17406
USA
Phone: +1 (717) 767-6511
Fax: +1 (717) 764-0839
sales@redlion.net

Red Lion Controls AP

Unit 101, XinAn Plaza
Building 13
No.99 Tianzhou Road
ShangHai, P.R. China 200223
Phone: +86 21 6113-3688
Fax: +86 21 6113-3683
asia@redlion.net

**Red Lion Controls BV**

Printerweg 10
3821 AD Amersfoort
The Netherlands
Phone: +31 (0) 33-4723-225
Fax: +31 (0) 33-4893-793
europe@redlion.net
Toll Free from UK and France:
00800 REDLIONS
(00800 733 54667)

Red Lion Controls AP

India Sales Office
54, Vishvas Tenement,
Near Railway Crossing
GST Road, New Ranip,
Ahmedabad-382480
Gujarat, India
Phone: +91 98795 40503
Fax: +91 79 27531350
india@redlion.net