



## 1100 Series Lite-Pac® Trigger Modules



*Excelitas' 1100 Series Lite-Pac Trigger Modules contain the elements necessary to operate Excelitas' pulsed Xenon flashlamps.*

Excelitas' 1100 Series Lite-Pac Trigger Modules contain the socket interface and the high voltage elements necessary for operation of the short arc Xenon flashlamps. They are designed to operate from any 1100 Series supply. The Lite-Pac also contains EMI suppression circuitry to diminish radiated and conducted noise associated with high peak discharge currents. Epoxy encapsulation ensures overall operational and environmental stability as well as high voltage containment. Connections between the power supply and Lite-Pac Trigger Module are made through shielded cables.

Several models of the 1100 Series Lite-Pac Trigger Module are available which allow for various mounting configurations. For applications where long leads between the Lite-Pac and power supply are required, the discharge capacitor is located within the Lite-Pac. This insures the maximum transfer of energy into the flashlamp. When the discharge capacitor is located within the power supply or external to the Lite-Pac, it is recommended the leads of the Lite-Pac be kept as short as possible to limit lead impedance.

### Key Features

- Epoxy-encapsulated
- "B" Lite-Pac with internal discharge capacitors
- Shielded cables

### Applications

- Absorption analysis
- Immunoassay modules
- Fluorimetry
- Spectroradiometry
- Liquid and gas chromatography
- Colorimetry
- UV-VIS-NIR applications
- Machine vision

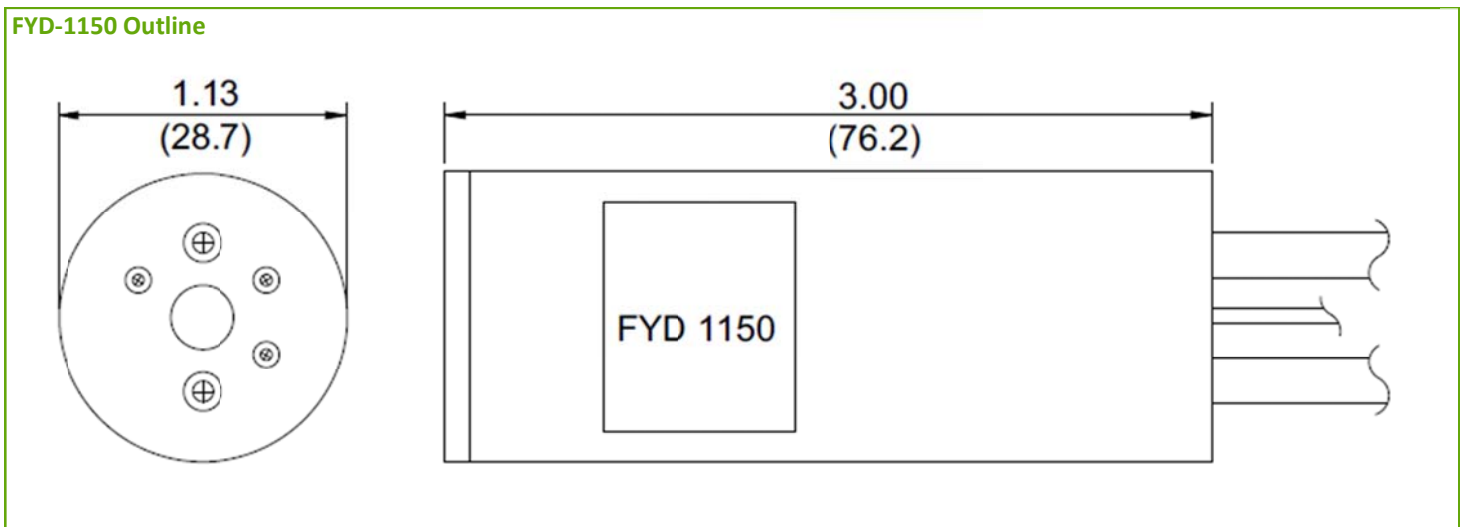
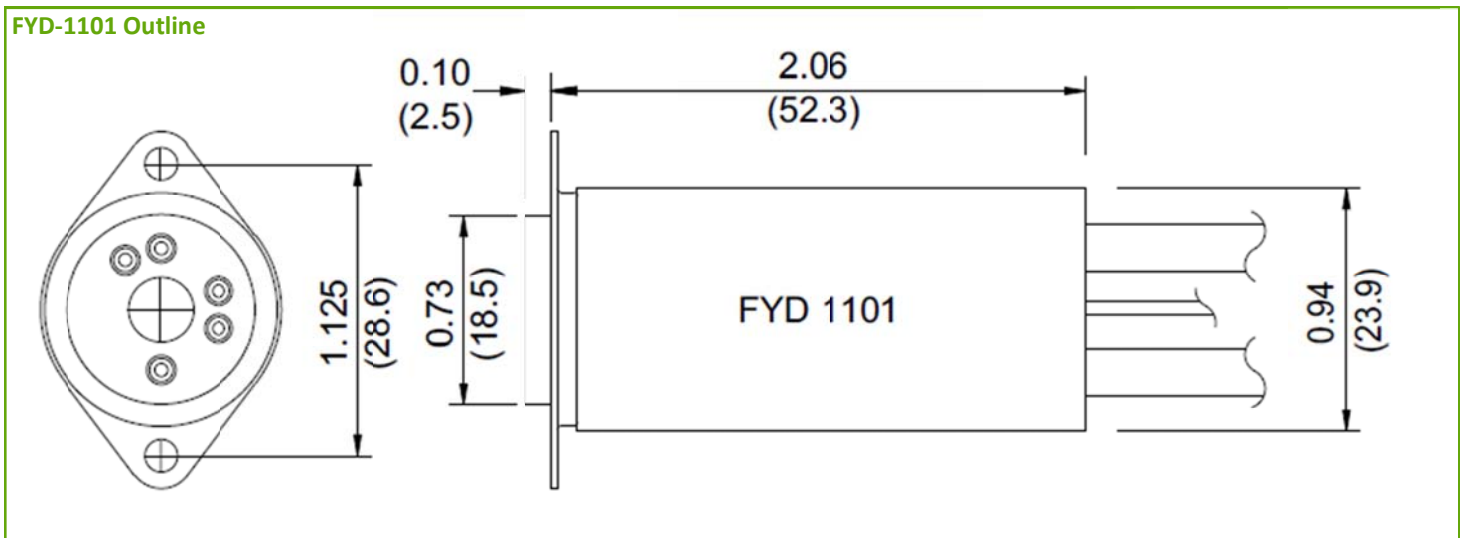
## 1100 Series

# Lite-Pac® Trigger Modules

### 1100 Series Lite-Pac Trigger Module

FYD-1101 and FYD-1101-B Input		FYD-1150 and FYD-1150-B Input	
Trigger Input	0.10µF @ 180 volts	Trigger Input	0.10µF @ 180 volts
Discharge Energy	0.15 Joules maximum	Discharge Energy	0.5 Joules maximum
Discharge Power	10 watts maximum	Discharge Power	20 watts maximum
Lead Length	12 inches (30.5cm) minimum	Lead Length	12 inches (30.5cm) minimum
Internal Discharge Capacitor	N/A (FYD-1101) 0.5 µF (FYD-1150-B)	Internal Discharge Capacitor	N/A (FYD-1150) 0.5 µF (FYD-1150-B)

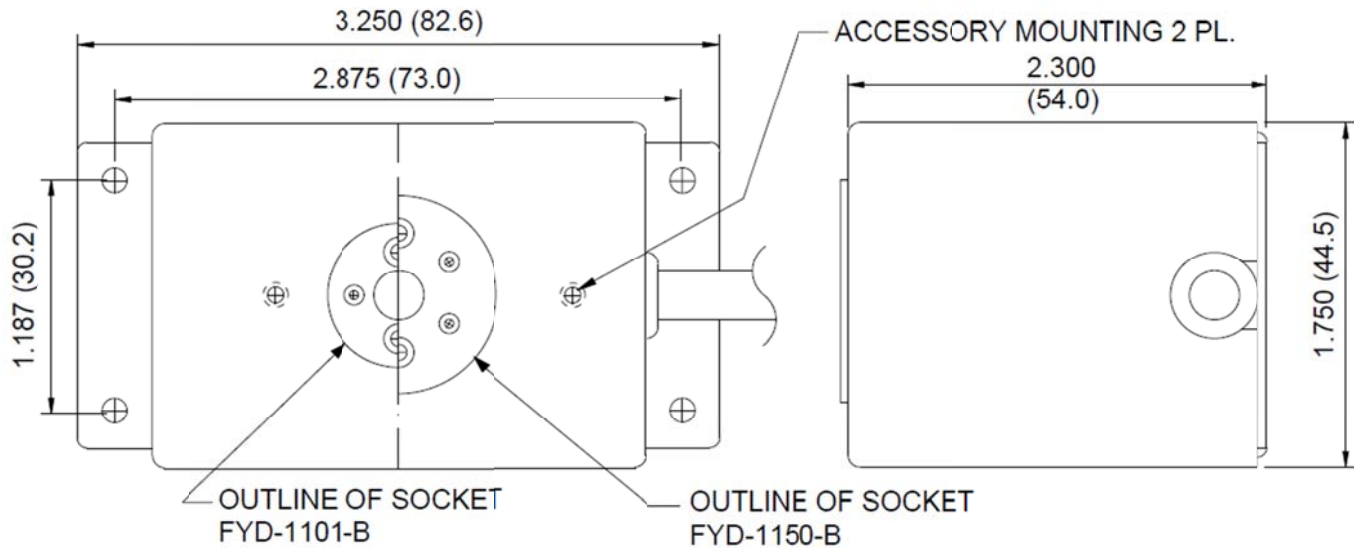
### Mechanical Dimensions



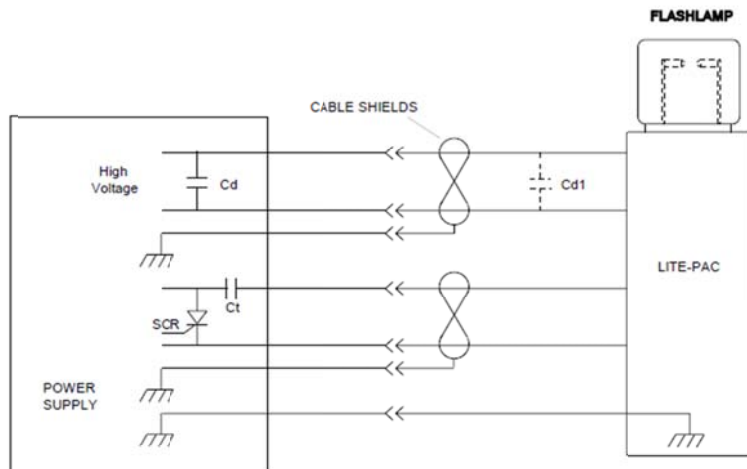
## 1100 Series

### Lite-Pac® Trigger Modules

#### FYD-1101-B and FYD-1150-B Outline



#### 1100 Series Lite-Pac/Power Supply Connections



1. Cable shielding designed to be grounded at power supply end of cable.
2. Metal case of Lite-Pac® has a separate ground lead which is independent of anode-to-cathode return and cable shielding.
3. The power supply chassis should be grounded to earth/system ground.
4. Lite-Pac® leads are a part of the discharge loop and should be no longer than necessary to minimize circuit impedance.
5. Lite-Pacs® with internal discharge capacitors are supplied with a single, integrated shielded cable.

Cd: Power supply internal discharge capacitor. PS 1105 is .005  $\mu$ fd. PS 1110 and PS 1120 are 0.1  $\mu$ fd.

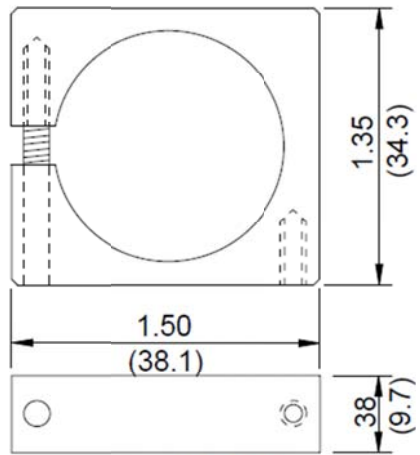
Cd1: Additional capacitance that may be added external to the power supply if required.

## 1100 Series

# Lite-Pac® Trigger Modules

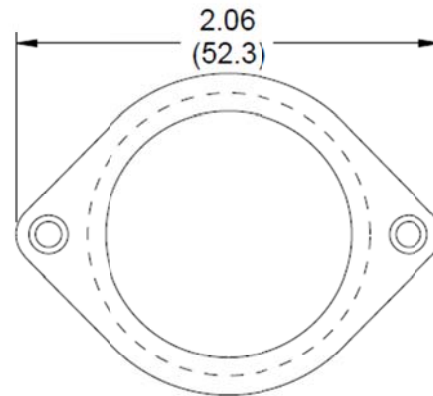
### 1100 Series Lite-Pac Accessories

**Mounting Clamp, FYD-1150**



Part No. XP 0775

**Flashlamp Clamp/Shield, FYD-1150-B**



Part No. XP 0777

**NOTE:** All values are nominal; specifications subject to change without notice.

### About Excelitas Technologies

Excelitas Technologies is a global technology leader focused on delivering innovative, customized solutions to meet the lighting, detection and other high-performance technology needs of OEM customers.

From medical lighting to analytical instrumentation, clinical diagnostics, industrial, safety and security, and aerospace and defense applications, Excelitas Technologies is committed to enabling our customers' success in their specialty end-markets. Excelitas Technologies has approximately 3,000 employees in North America, Europe and Asia, serving customers across the world.

**Excelitas Technologies**  
35 Congress Street  
Salem, Massachusetts  
01970 USA  
Telephone: (+1) 978.745.3200  
Toll free: (+1) 800.950.3441  
Fax: (+1) 978.745.0894

**Excelitas Technologies  
LED Solutions, Inc.**  
160 E. Marquardt Drive  
Wheeling, Illinois  
60090 USA  
Telephone: (+1) 847.537.4277  
Fax: (+1) 847.537.4785

**Excelitas Technologies  
Illumination, Inc.**  
44370 Christy Street  
Fremont, California  
94538-3180 USA  
Telephone: (+1) 510.979.6500  
Toll-free: (+1) 800.775.6786  
Fax: (+1) 510.687.1140

**Excelitas Technologies  
GmbH & Co. KG**  
Wenzel-Jaksch-Straße 31  
D-65199 Wiesbaden  
Germany  
Telephone: (+49) 611 492 430  
Fax: (+49) 611 492 165

**Excelitas Technologies Shenzhen Co., Ltd.  
Wearnes Technology Center**  
No.10 Kefa Road, Science & Industry Park  
Nanshan District,  
Shenzhen, Guangdong  
P.R. of China 518057  
Telephone: +86 2655 3861  
Fax: +86 755 2661 7311

For a complete listing of our global offices, visit [www.excelitas.com/ContactUs](http://www.excelitas.com/ContactUs)

© 2011 Excelitas Technologies Corp. All rights reserved. The Excelitas logo and design are registered trademarks of Excelitas Technologies Corp. All other trademarks not owned by Excelitas Technologies or its subsidiaries that are depicted herein are the property of their respective owners. Excelitas reserves the right to change this document at any time without notice and disclaims liability for editorial, pictorial or typographical errors.

