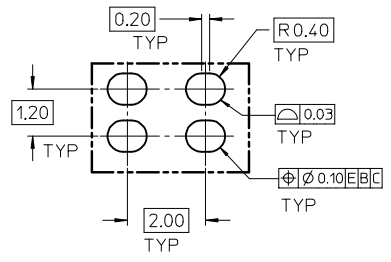
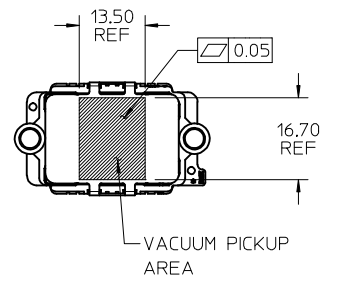


NOTES:

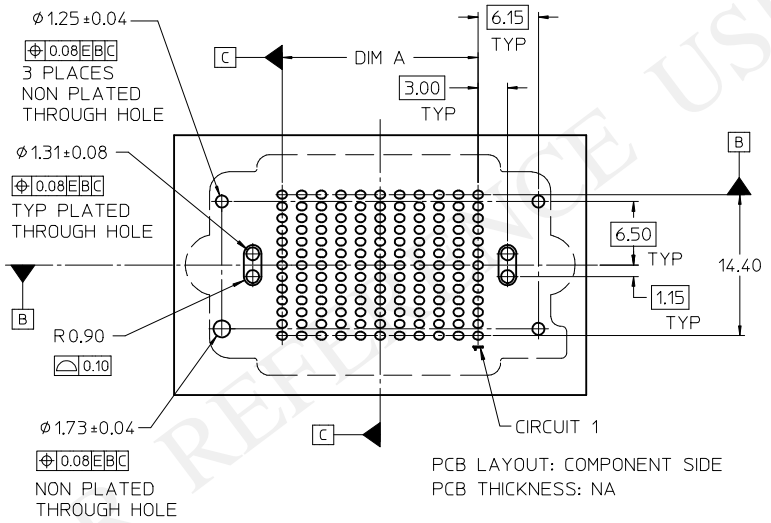
- HOUSING MATERIAL: LIQUID CRYSTAL POLYMER, GLASS FILLED, UL 94V-0, BLACK
CONTACT MATERIAL: HIGH PERFORMANCE COPPER ALLOY
SOLDER NAIL MATL: STAINLESS STEEL
SOLDER CHARGE MATL: 63% TIN, 37% LEAD
- FINISH:
CONTACT AREA: 0.76 MICROMETER (30 MICROINCH) MINIMUM GOLD
TAIL AREA: 2.54 MICROMETER (100 MICROINCH) MINIMUM 90/10 TIN-LEAD
ENTIRE TERMINAL: NICKEL UNDERPLATE
- PRODUCT SPEC: PS-45802-001
- COSMETIC SPEC: PS-45499-002 CLASS B
- PACKAGING SPEC: PK-45802-001 MOLEX STANDARD TRAYS
- DATUM -D- IS THE CENTERLINE OF THE 2 END SLOTS. END SLOT CENTERLINES ARE ESTABLISHED USING 2 MEASUREMENTS FOR EACH SLOT TAKEN 7.20 EITHER SIDE OF DATUM -B-.
- THERE ARE 13 CIRCUITS PER ROW

| | | | | | | | | | | |
|--|------------------|---|---|--|--|------------------------|---|---------------------------|--------------------------------|---------------------|
| INITIAL RELEASE EC NO: UCP2016-2554 DRWN: TIBARRA 2015/12/21 CHKD: BBARKER 2015/12/21 APPR: TIBARRA 2016/01/27 | DESCRIPTION 1 | QUALITY SYMBOLS $\nabla F/0$ $\nabla E/0$ $\nabla F/0$ | GENERAL TOLERANCES (UNLESS SPECIFIED) mm INCH 4 PLACES \pm --- \pm --- 3 PLACES ± 0.050 \pm --- 2 PLACES ± 0.15 \pm --- 1 PLACE ± 0.3 \pm --- 0 PLACE \pm \pm | DIMENSION STYLE MM ONLY DRAWN BY DATE TIBARRA 2015/12/21 CHECKED BY DATE BBARKER 2015/12/21 APPROVED BY DATE TIBARRA 2016/01/27 | SCALE 2:1 DESIGN UNITS METRIC | THIRD ANGLE PROJECTION | TITLE HIGH DENSITY MEZZANINE RECEPTACLE ASSEMBLY TIN-LEAD TAILS, CHARGES | MATERIAL NO. SEE TABLE | DOCUMENT NO. RSD-45802-0001 | SHEET NO. 1 OF 2 |
| | | ANGULAR $\pm 1/2^\circ$ | | | DRAFT WHERE APPLICABLE MUST REMAIN WITHIN DIMENSIONS | | THIS DRAWING CONTAINS INFORMATION THAT IS PROPRIETARY TO MOLEX INCORPORATED AND SHOULD NOT BE USED WITHOUT WRITTEN PERMISSION | | | |
| | | | | | | | | | | |
| | | | | | | | | | | |

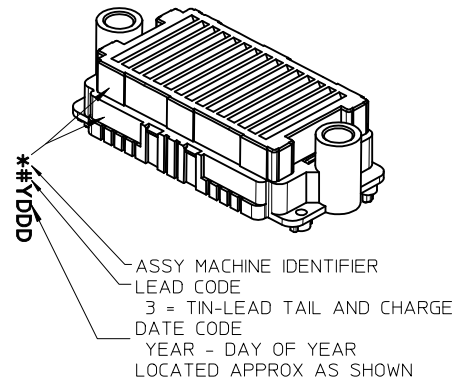
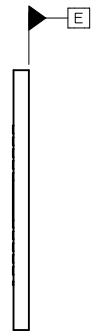
| TIN / LEAD PARTS | LEAD CODE = "0" | | 10 | 9 | 8 | 7 | 6 | 5 | 4 | 3 | 2 | 1 | |
|------------------|-----------------|---------------|-------|-------------|-------------|-------------|-------------|-------------|-------------|-------------|-------------|-------------|-------|
| | ROWS | DIM A | DIM D | MATERIAL No | MATERIAL No | MATERIAL No | MATERIAL No | MATERIAL No | MATERIAL No | MATERIAL No | MATERIAL No | MATERIAL No | |
| | | STACK HEIGHT: | | 8 mm | 9 mm | 10 mm | 11 mm | 12 mm | 13 mm | 14 mm | 15 mm | 17 mm | 18 mm |
| | | DIM B: | | 10,51 | 11,51 | 12,51 | 13,51 | 14,51 | 15,51 | 16,51 | 17,51 | 20,51 | |
| | | DIM C: | | 8,90 | 9,90 | 10,90 | 11,90 | 12,90 | 13,90 | 14,90 | 15,90 | 18,90 | |
| | | | | | | | | | | | | | |
| | 07 | 12.00 | 31.89 | | | | | | | | | | |
| | 09 | 16.00 | 35.89 | | | | | | | | | | |
| | 11 | 20.00 | 39.89 | 45802-0111 | | | | | | | | | |
| | 13 | 24.00 | 43.89 | | | | | | | | | | |
| | 15 | 28.00 | 47.89 | | | | | | | | | | |
| | 17 | 32.00 | 51.89 | | | | | | | | | | |
| | 19 | 36.00 | 55.89 | | | | | | | | | | |
| | 21 | 40.00 | 59.89 | | | | | | | | | | |
| | 23 | 44.00 | 63.89 | | | | | | | | | | |
| | 25 | 48.00 | 67.89 | | | | | | | | | | |
| | 27 | 52.00 | 71.89 | | | | | | | | | | |



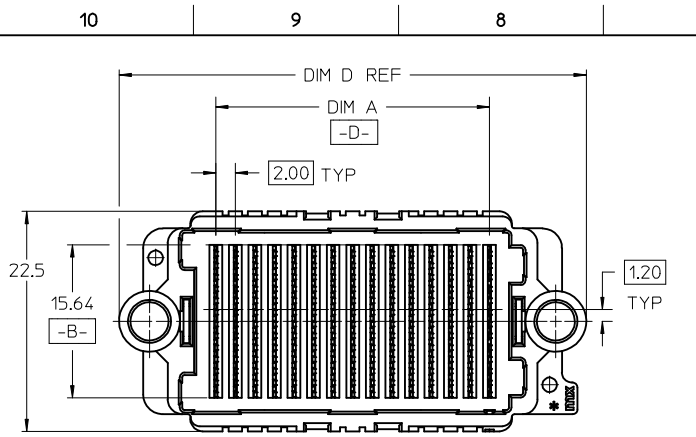
SOLDER PAD DETAIL
SCALE 8:1



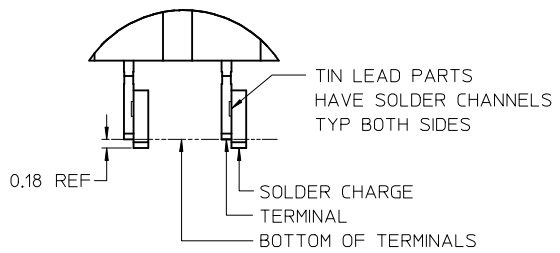
PCB LAYOUT: COMPONENT SIDE
PCB THICKNESS: NA



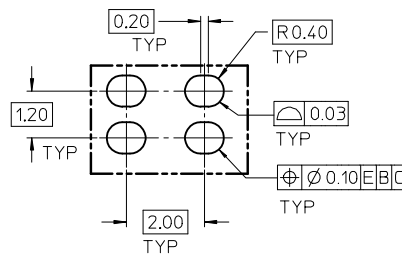
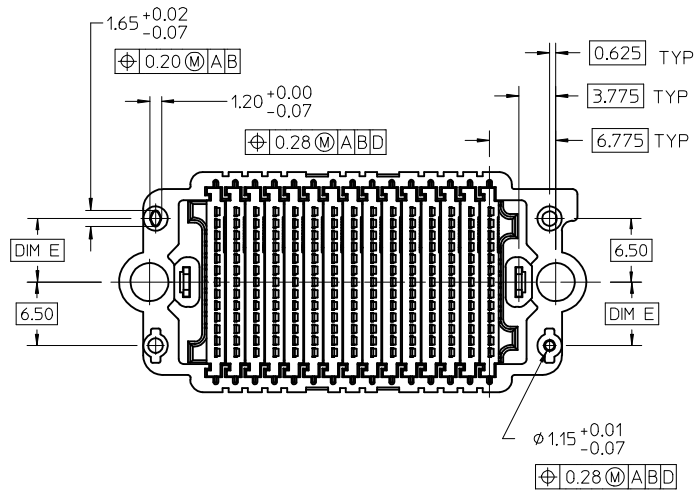
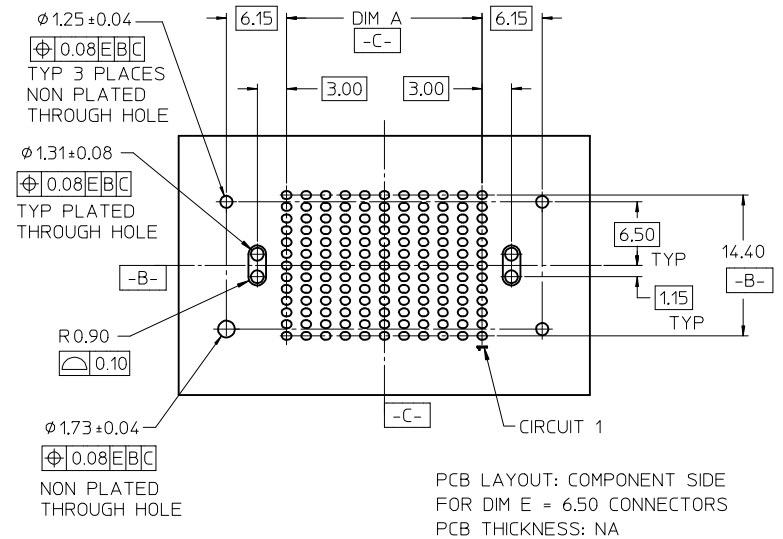
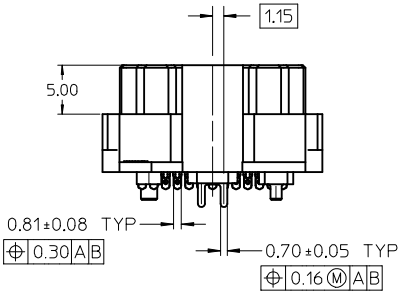
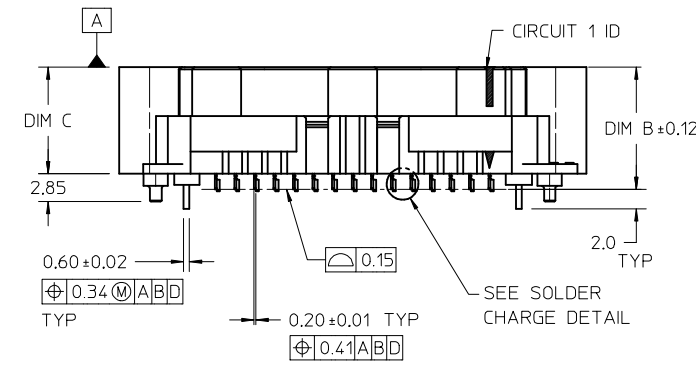
| | | | | | | | | | | |
|---|--------------------------------------|---------------------------------------|----|----------------------------|--|---|--|------------------------|---------------------|--|
| SEE SHEET 1 EC NO: UCP2016-2554 DRAWN: TIBARRA 2015/12/21 CHKD: BBARKER 2015/12/21 APPR: TIBARRA 2016/01/27 | QUALITY SYMBOLS ▽/0 ▽/0 ▽/0 | GENERAL TOLERANCES (UNLESS SPECIFIED) | | DIMENSION STYLE MM ONLY | | SCALE 2:1 | DESIGN UNITS METRIC | THIRD ANGLE PROJECTION | | |
| | | | mm | INCH | DRAWN BY TIBARRA | DATE 2015/12/21 | TITLE HIGH DENSITY MEZZANINE RECEPTACLE ASSEMBLY TIN-LEAD TAILS, CHARGES | | | |
| | | 4 PLACES ± --- ± --- | | | CHECKED BY BBARKER | DATE 2015/12/21 | | | | |
| | | 3 PLACES ± 0.050 ± --- | | | APPROVED BY TIBARRA | DATE 2016/01/27 | DOCUMENT NO. RSD-45802-0001 | | SHEET NO. 2 OF 2 | |
| | | 2 PLACES ± 0.15 ± --- | | | MATERIAL NO. SEE TABLE | | | | | |
| | | 1 PLACE ± 0.3 ± --- | | | ANGULAR ± 1/2° | | | | | |
| | | 0 PLACE ± ± | | | DRAFT WHERE APPLICABLE MUST REMAIN WITHIN DIMENSIONS | | | | | |
| | | | | | SIZE B | THIS DRAWING CONTAINS INFORMATION THAT IS PROPRIETARY TO MOLEX INCORPORATED AND SHOULD NOT BE USED WITHOUT WRITTEN PERMISSION | | | | |



SOLDER CHARGE DETAIL



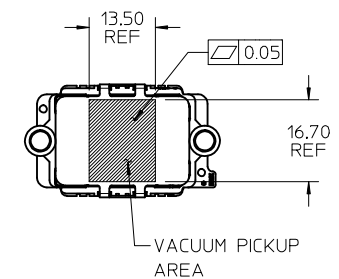
- NOTES:
- HOUSING MATERIAL: LCP, GLASS FILLED, UL 94V-0, BLACK
CONTACT MATERIAL: HIGH PERFORMANCE ALLOY
SOLDER NAIL MATL: STAINLESS STEEL
SOLDER CHARGE MATL: SEE TABLE
 - FINISH: SELECT GOLD 30 MICRO-INCHES MINIMUM IN CONTACT AREA
SELECT TIN: 100 MICRO-INCHES MINIMUM IN PCB TAIL
BOTH OVER NICKEL
 - PRODUCT SPEC: PS-45802-001
 - COSMETIC SPEC: PS-45499-002 CLASS B
 - PACKAGING SPEC: PK-45802-001 MOLEX STANDARD TRAYS
PK-45802-0002 JEDEC STYLE TRAYS
 - DATUM -D- IS THE CENTERLINE OF THE 2 END SLOTS, END SLOT CENTERLINES ARE ESTABLISHED USING 2 MEASUREMENTS FOR EACH SLOT TAKEN 7.20 EITHER SIDE OF DATUM -B-.
 - THERE ARE 13 CKTS PER ROW



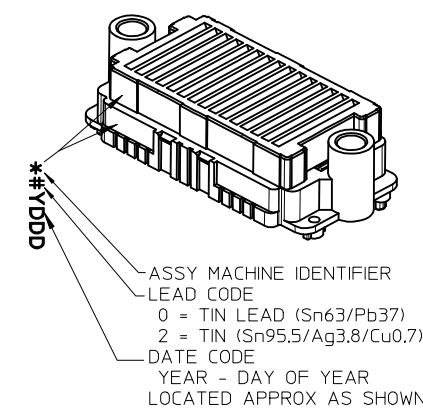
SOLDER PAD DETAIL

| | | | | | | | | | | | |
|---|--------------------------------------|--|------------------------|-----------------------------------|---------------------|---------------------|-------------------------------|------------------------|--|----------------------------|--|
| CLARIFY PEG LOCATION EC NO: UCP2016-3732 DRWN:SVANG01 2016/03/24 CHKD:MCAN 2016/03/24 APPR:DMCGOWAN 2016/03/31 | QUALITY SYMBOLS ▽=0 ▽=0 ▽=0 | GENERAL TOLERANCES (UNLESS SPECIFIED) | | DIMENSION STYLE MM ONLY | | SCALE 2:1 | DESIGN UNITS METRIC | THIRD ANGLE PROJECTION | | | |
| | | 4 PLACES ± --- ± --- | 3 PLACES ± 0.050 ± --- | 2 PLACES ± 0.15 ± --- | 1 PLACE ± 0.3 ± --- | 0 PLACE ± ± | DRAWN BY TGGREGORI | DATE 2010/10/06 | TITLE HIGH DENSITY MEZZANINE RECEPTACLE ASSEMBLY | | |
| | | ANGULAR ±1/2° DRAFT WHERE APPLICABLE MUST REMAIN WITHIN DIMENSIONS | | | | | CHECKED BY | DATE | APPROVED BY JCOMERC I | | |
| | | MATERIAL NO. | | | | | DATE 2010/10/22 | | DOCUMENT NO. SD-45802-0001 | | |
| SIZE B | | | | | SEE TABLE | | | | | SHEET NO. 1 OF 4 | |
| THIS DRAWING CONTAINS INFORMATION THAT IS PROPRIETARY TO MOLEX INCORPORATED AND SHOULD NOT BE USED WITHOUT WRITTEN PERMISSION | | | | | | | | | | | |

| | | | 10 | 9 | 8 | 7 | 6 | 5 | 4 | 3 | 2 | 1 | |
|----|---------------|-------|------------|-------------|-------------|-------------|-------------|-------------|-------------|-------------|-------------|-------------|------------|
| F | STACK HEIGHT: | | 8 mm | 9 mm | 10 mm | 11 mm | 12 mm | 13 mm | 14 mm | 15 mm | 17 mm | 18 mm | |
| | DIM B: | | 10.51 | 11.51 | 12.51 | 13.51 | 14.51 | 15.51 | 16.51 | 17.51 | 19.51 | 20.51 | |
| | DIM C: | | 8.90 | 9.90 | 10.90 | 11.90 | 12.90 | 13.90 | 14.90 | 15.90 | 17.90 | 18.90 | |
| | ROWS | DIM A | DIM D | MATERIAL No | MATERIAL No | MATERIAL No | MATERIAL No | MATERIAL No | MATERIAL No | MATERIAL No | MATERIAL No | MATERIAL No | |
| | 07 | 12.00 | 31.89 | 45802-0007 | 45802-3007 | 45802-2007 | 45802-8007 | 45802-4007 | 45802-9007 | 45802-6007 | 45802-7007 | 45802-5007 | 45802-1007 |
| | 09 | 16.00 | 35.89 | 45802-0009 | 45802-3009 | 45802-2009 | 45802-8009 | 45802-4009 | 45802-9009 | 45802-6009 | 45802-7009 | 45802-5009 | 45802-1009 |
| | 11 | 20.00 | 39.89 | 45802-0011 | 45802-3011 | 45802-2011 | 45802-8011 | 45802-4011 | 45802-9011 | 45802-6011 | 45802-7011 | 45802-5011 | 45802-1011 |
| | 13 | 24.00 | 43.89 | 45802-0013 | 45802-3013 | 45802-2013 | 45802-8013 | 45802-4013 | 45802-9013 | 45802-6013 | 45802-7013 | 45802-5013 | 45802-1013 |
| | 15 | 28.00 | 47.89 | 45802-0015 | 45802-3015 | 45802-2015 | 45802-8015 | 45802-4015 | 45802-9015 | 45802-6015 | 45802-7015 | 45802-5015 | 45802-1015 |
| | 17 | 32.00 | 51.89 | 45802-0017 | 45802-3017 | 45802-2017 | 45802-8017 | 45802-4017 | 45802-9017 | 45802-6017 | 45802-7017 | 45802-5017 | 45802-1017 |
| E | 19 | 36.00 | 55.89 | 45802-0019 | 45802-3019 | 45802-2019 | 45802-8019 | 45802-4019 | 45802-9019 | 45802-6019 | 45802-7019 | 45802-5019 | 45802-1019 |
| 21 | 40.00 | 59.89 | 45802-0021 | 45802-3021 | 45802-2021 | 45802-8021 | 45802-4021 | 45802-9021 | 45802-6021 | 45802-7021 | 45802-5021 | 45802-1021 | |
| 23 | 44.00 | 63.89 | 45802-0123 | 45802-3023 | 45802-2023 | 45802-8023 | 45802-4023 | 45802-9023 | 45802-6023 | 45802-7023 | 45802-5023 | 45802-1123 | |
| 25 | 48.00 | 67.89 | 45802-0025 | 45802-3025 | 45802-2025 | 45802-8025 | 45802-4025 | 45802-9025 | 45802-6025 | 45802-7025 | 45802-5025 | 45802-1025 | |
| 27 | 52.00 | 71.89 | 45802-0027 | 45802-3027 | 45802-2027 | 45802-8027 | 45802-4027 | 45802-9027 | 45802-6027 | 45802-7027 | 45802-5027 | 45802-1027 | |



| | | | 10 | 9 | 8 | 7 | 6 | 5 | 4 | 3 | 2 | 1 | |
|----|---------------|-------|------------|-------------|-------------|-------------|-------------|-------------|-------------|-------------|-------------|-------------|------------|
| D | STACK HEIGHT: | | 8 mm | 9 mm | 10 mm | 11 mm | 12 mm | 13 mm | 14 mm | 15 mm | 17 mm | 18 mm | |
| | DIM B: | | 10.51 | 11.51 | 12.51 | 13.51 | 14.51 | 15.51 | 16.51 | 17.51 | 19.51 | 20.51 | |
| | DIM C: | | 8.90 | 9.90 | 10.90 | 11.90 | 12.90 | 13.90 | 14.90 | 15.90 | 17.90 | 18.90 | |
| | ROWS | DIM A | DIM D | MATERIAL No | MATERIAL No | MATERIAL No | MATERIAL No | MATERIAL No | MATERIAL No | MATERIAL No | MATERIAL No | MATERIAL No | |
| | 07 | 12.00 | 31.89 | 45802-0207 | 45802-3207 | 45802-2207 | 45802-8207 | 45802-4207 | 45802-9207 | 45802-6207 | 45802-7207 | 45802-5207 | 45802-1207 |
| | 09 | 16.00 | 35.89 | 45802-0209 | 45802-3209 | 45802-2209 | 45802-8209 | 45802-4209 | 45802-9209 | 45802-6209 | 45802-7209 | 45802-5209 | 45802-1209 |
| | 11 | 20.00 | 39.89 | 45802-0311 | 45802-3211 | 45802-2211 | 45802-8211 | 45802-4211 | 45802-9211 | 45802-6211 | 45802-7211 | 45802-5211 | 45802-1211 |
| | 13 | 24.00 | 43.89 | 45802-0213 | 45802-3213 | 45802-2213 | 45802-8213 | 45802-4213 | 45802-9213 | 45802-6213 | 45802-7213 | 45802-5213 | 45802-1213 |
| | 15 | 28.00 | 47.89 | 45802-0215 | 45802-3215 | 45802-2215 | 45802-8215 | 45802-4215 | 45802-9215 | 45802-6215 | 45802-7215 | 45802-5215 | 45802-1215 |
| | 17 | 32.00 | 51.89 | 45802-0217 | 45802-3217 | 45802-2217 | 45802-8217 | 45802-4217 | 45802-9217 | 45802-6217 | 45802-7217 | 45802-5217 | 45802-1217 |
| C | 19 | 36.00 | 55.89 | 45802-0219 | 45802-3219 | 45802-2219 | 45802-8219 | 45802-4219 | 45802-9219 | 45802-6219 | 45802-7219 | 45802-5219 | 45802-1219 |
| 21 | 40.00 | 59.89 | 45802-0221 | 45802-3221 | 45802-2221 | 45802-8221 | 45802-4221 | 45802-9221 | 45802-6221 | 45802-7221 | 45802-5221 | 45802-1221 | |
| 23 | 44.00 | 63.89 | 45802-0223 | 45802-3223 | 45802-2223 | 45802-8223 | 45802-4223 | 45802-9223 | 45802-6223 | 45802-7223 | 45802-5223 | 45802-1223 | |
| 25 | 48.00 | 67.89 | 45802-0225 | 45802-3225 | 45802-2225 | 45802-8225 | 45802-4225 | 45802-9225 | 45802-6225 | 45802-7225 | 45802-5225 | 45802-1225 | |
| B | 27 | 52.00 | 71.89 | 45802-0227 | 45802-3227 | 45802-2227 | 45802-8227 | 45802-4227 | 45802-9227 | 45802-6227 | 45802-7227 | 45802-5227 | 45802-1227 |



PARTS SHOWN ON THIS SHEET HAVE THE FOLLOWING OPTIONS:

DIM E = 6.50
 PACKAGING: MOLEX STANDARD TRAYS

NOTE:
 1. SOLDER CHARGE COMPOSITION
 TIN/LEAD: Sn 63/Pb 37
 TIN Sn 95.5/ Ag 3.8/ Cu 0.7

| | | | | | | | | | | | | | | | | | | | | | | | |
|---|---|---|-------|----|------|----------|-------|-------|----------|---------|-------|----------|--------|-------|---------|-------|-------|---------|---|---|---|--|---|
| SEE SHEET 1 EC NO: UCP2016-3732 DRAWN: SVANG01 2016/03/24 CHKD: MCAIN 2016/03/24 APPR: DMCGOWAN 2016/03/31 | QUALITY SYMBOLS $\nabla F=0$ $\nabla E=0$ $\nabla D=0$ | GENERAL TOLERANCES (UNLESS SPECIFIED) <table border="1"> <tr> <td></td> <td>mm</td> <td>INCH</td> </tr> <tr> <td>4 PLACES</td> <td>± ---</td> <td>± ---</td> </tr> <tr> <td>3 PLACES</td> <td>± 0.050</td> <td>± ---</td> </tr> <tr> <td>2 PLACES</td> <td>± 0.15</td> <td>± ---</td> </tr> <tr> <td>1 PLACE</td> <td>± 0.3</td> <td>± ---</td> </tr> <tr> <td>0 PLACE</td> <td>±</td> <td>±</td> </tr> </table> | | mm | INCH | 4 PLACES | ± --- | ± --- | 3 PLACES | ± 0.050 | ± --- | 2 PLACES | ± 0.15 | ± --- | 1 PLACE | ± 0.3 | ± --- | 0 PLACE | ± | ± | DIMENSION STYLE MM ONLY DRAWN BY: TGREGORI DATE: 2010/10/06 CHECKED BY: DATE: | SCALE: 1:1 DESIGN UNITS: METRIC THIRD ANGLE PROJECTION | HIGH DENSITY MEZZANINE RECEPTACLE ASSEMBLY DOCUMENT NO. SD-45802-0001 SHEET NO. 2 OF 4 |
| | | mm | INCH | | | | | | | | | | | | | | | | | | | | |
| | 4 PLACES | ± --- | ± --- | | | | | | | | | | | | | | | | | | | | |
| | 3 PLACES | ± 0.050 | ± --- | | | | | | | | | | | | | | | | | | | | |
| 2 PLACES | ± 0.15 | ± --- | | | | | | | | | | | | | | | | | | | | | |
| 1 PLACE | ± 0.3 | ± --- | | | | | | | | | | | | | | | | | | | | | |
| 0 PLACE | ± | ± | | | | | | | | | | | | | | | | | | | | | |
| ANGULAR ± 1/2° DRAFT WHERE APPLICABLE MUST REMAIN WITHIN DIMENSIONS | APPROVED BY: JCOMERCI DATE: 2010/10/22 MATERIAL NO. | THIS DRAWING CONTAINS INFORMATION THAT IS PROPRIETARY TO MOLEX INCORPORATED AND SHOULD NOT BE USED WITHOUT WRITTEN PERMISSION | | | | | | | | | | | | | | | | | | | | | |
| SIZE B | SEE TABLE | THIS DRAWING CONTAINS INFORMATION THAT IS PROPRIETARY TO MOLEX INCORPORATED AND SHOULD NOT BE USED WITHOUT WRITTEN PERMISSION | | | | | | | | | | | | | | | | | | | | | |
| REV J | SEE TABLE | THIS DRAWING CONTAINS INFORMATION THAT IS PROPRIETARY TO MOLEX INCORPORATED AND SHOULD NOT BE USED WITHOUT WRITTEN PERMISSION | | | | | | | | | | | | | | | | | | | | | |

| | | 10 | 9 | 8 | 7 | 6 | 5 | 4 | 3 | 2 | 1 | | | |
|----|-------------------------------------|---------------|-------------|-------------|-------------|-------------|-------------|-------------|-------------|-------------|-------------|-------------|--|--|
| F | TIN / LEAD PARTS LEAD CODE = "0" | STACK HEIGHT: | 8 mm | 9 mm | 10 mm | 11 mm | 12 mm | 13 mm | 14 mm | 15 mm | 17 mm | 18 mm | | |
| | | DIM B: | 10.51 | 11.51 | 12.51 | 13.51 | 14.51 | 15.51 | 16.51 | 17.51 | 19.51 | 20.51 | | |
| | | DIM C: | 8.90 | 9.90 | 10.90 | 11.90 | 12.90 | 13.90 | 14.90 | 15.90 | 17.90 | 18.90 | | |
| | | | MATERIAL No | MATERIAL No | MATERIAL No | MATERIAL No | MATERIAL No | MATERIAL No | MATERIAL No | MATERIAL No | MATERIAL No | MATERIAL No | | |
| | 07 | 12.00 31.89 | 45802-0089 | 45802-3089 | 45802-2089 | 45802-8089 | 45802-4089 | 45802-9089 | 45802-6089 | 45802-7089 | 45802-5089 | 45802-1089 | | |
| | 09 | 16.00 35.89 | 45802-0090 | 45802-3090 | 45802-2090 | 45802-8090 | 45802-4090 | 45802-9090 | 45802-6090 | 45802-7090 | 45802-5090 | 45802-1090 | | |
| | 11 | 20.00 39.89 | 45802-0091 | 45802-3091 | 45802-2091 | 45802-8091 | 45802-4091 | 45802-9091 | 45802-6091 | 45802-7091 | 45802-5091 | 45802-1091 | | |
| | 13 | 24.00 43.89 | 45802-0092 | 45802-3092 | 45802-2092 | 45802-8092 | 45802-4092 | 45802-9092 | 45802-6092 | 45802-7092 | 45802-5092 | 45802-1092 | | |
| | 15 | 28.00 47.89 | 45802-0093 | 45802-3093 | 45802-2093 | 45802-8093 | 45802-4093 | 45802-9093 | 45802-6093 | 45802-7093 | 45802-5093 | 45802-1093 | | |
| | 17 | 32.00 51.89 | 45802-0094 | 45802-3094 | 45802-2094 | 45802-8094 | 45802-4094 | 45802-9094 | 45802-6094 | 45802-7094 | 45802-5094 | 45802-1094 | | |
| | 19 | 36.00 55.89 | 45802-0095 | 45802-3095 | 45802-2095 | 45802-8095 | 45802-4095 | 45802-9095 | 45802-6095 | 45802-7095 | 45802-5095 | 45802-1095 | | |
| | 21 | 40.00 59.89 | 45802-0096 | 45802-3096 | 45802-2096 | 45802-8096 | 45802-4096 | 45802-9096 | 45802-6096 | 45802-7096 | 45802-5096 | 45802-1096 | | |
| | 23 | 44.00 63.89 | 45802-0097 | 45802-3097 | 45802-2097 | 45802-8097 | 45802-4097 | 45802-9097 | 45802-6097 | 45802-7097 | 45802-5097 | 45802-1097 | | |
| 25 | 48.00 67.89 | 45802-0098 | 45802-3098 | 45802-2098 | 45802-8098 | 45802-4098 | 45802-9098 | 45802-6098 | 45802-7098 | 45802-5098 | 45802-1098 | | | |
| 27 | 52.00 71.89 | 45802-0099 | 45802-3099 | 45802-2099 | 45802-8099 | 45802-4099 | 45802-9099 | 45802-6099 | 45802-7099 | 45802-5099 | 45802-1099 | | | |

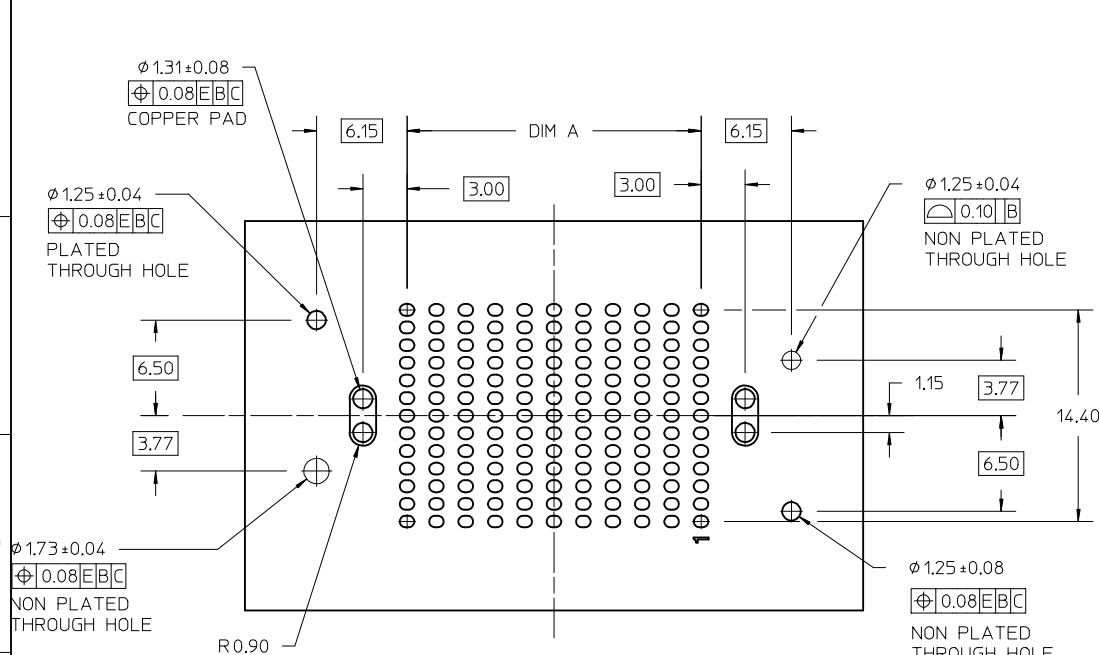
| | | | | | | | | | | | | | | |
|----|------------------------------|---------------|-------------|-------------|-------------|-------------|-------------|-------------|-------------|-------------|-------------|-------------|--|--|
| D | TIN PARTS LEAD CODE = "2" | STACK HEIGHT: | 8 mm | 9 mm | 10 mm | 11 mm | 12 mm | 13 mm | 14 mm | 15 mm | 17 mm | 18 mm | | |
| | | DIM B: | 10.51 | 11.51 | 12.51 | 13.51 | 14.51 | 15.51 | 16.51 | 17.51 | 19.51 | 20.51 | | |
| | | DIM C: | 8.90 | 9.90 | 10.90 | 11.90 | 12.90 | 13.90 | 14.90 | 15.90 | 17.90 | 18.90 | | |
| | | | MATERIAL No | MATERIAL No | MATERIAL No | MATERIAL No | MATERIAL No | MATERIAL No | MATERIAL No | MATERIAL No | MATERIAL No | MATERIAL No | | |
| | 07 | 12.00 31.89 | 45802-0289 | 45802-3289 | 45802-2289 | 45802-8289 | 45802-4289 | 45802-9289 | 45802-6289 | 45802-7289 | 45802-5289 | 45802-1289 | | |
| | 09 | 16.00 35.89 | 45802-0290 | 45802-3290 | 45802-2290 | 45802-8290 | 45802-4290 | 45802-9290 | 45802-6290 | 45802-7290 | 45802-5290 | 45802-1290 | | |
| | 11 | 20.00 39.89 | 45802-0291 | 45802-3291 | 45802-2291 | 45802-8291 | 45802-4291 | 45802-9291 | 45802-6291 | 45802-7291 | 45802-5291 | 45802-1291 | | |
| | 13 | 24.00 43.89 | 45802-0292 | 45802-3292 | 45802-2292 | 45802-8292 | 45802-4292 | 45802-9292 | 45802-6292 | 45802-7292 | 45802-5292 | 45802-1292 | | |
| | 15 | 28.00 47.89 | 45802-0293 | 45802-3293 | 45802-2293 | 45802-8293 | 45802-4293 | 45802-9293 | 45802-6293 | 45802-7293 | 45802-5293 | 45802-1293 | | |
| | 17 | 32.00 51.89 | 45802-0294 | 45802-3294 | 45802-2294 | 45802-8294 | 45802-4294 | 45802-9294 | 45802-6294 | 45802-7294 | 45802-5294 | 45802-1294 | | |
| | 19 | 36.00 55.89 | 45802-0295 | 45802-3295 | 45802-2295 | 45802-8295 | 45802-4295 | 45802-9295 | 45802-6295 | 45802-7295 | 45802-5295 | 45802-1295 | | |
| | 21 | 40.00 59.89 | 45802-0296 | 45802-3296 | 45802-2296 | 45802-8296 | 45802-4296 | 45802-9296 | 45802-6296 | 45802-7296 | 45802-5296 | 45802-1296 | | |
| | 23 | 44.00 63.89 | 45802-0297 | 45802-3297 | 45802-2297 | 45802-8297 | 45802-4297 | 45802-9297 | 45802-6297 | 45802-7297 | 45802-5297 | 45802-1297 | | |
| 25 | 48.00 67.89 | 45802-0298 | 45802-3298 | 45802-2298 | 45802-8298 | 45802-4298 | 45802-9298 | 45802-6298 | 45802-7298 | 45802-5298 | 45802-1298 | | | |
| 27 | 52.00 71.89 | 45802-0299 | 45802-3299 | 45802-2299 | 45802-8299 | 45802-4299 | 45802-9299 | 45802-6299 | 45802-7299 | 45802-5299 | 45802-1299 | | | |

PARTS SHOWN ON THIS SHEET
HAVE THE FOLLOWING OPTIONS:

DIM E = 6.50
PACKAGING: JEDEC STYLE TRAYS

| | | | | | | | | |
|--|--------------------------------------|---------------------------------------|-----------------|--|-----------------|---|------------------------|---|
| SEE SHEET 1 EC NO: UCP2016-3732 DRWNS:SVANG01 2016/03/24 CHKD:MCA IN 2016/03/24 APPR:DMCGOWAN 2016/03/31 | QUALITY SYMBOLS ▽=0 ▽=0 ▽=0 | GENERAL TOLERANCES (UNLESS SPECIFIED) | DIMENSION STYLE | | SCALE 1:1 | DESIGN UNITS METRIC | THIRD ANGLE PROJECTION | TITLE HIGH DENSITY MEZZANINE RECEPTACLE ASSEMBLY |
| | | | MM ONLY | | | | | |
| | | | mm | INCH | | | | |
| | | | 4 PLACES ± --- | ± --- | | | | |
| 3 PLACES ± 0.050 | ± --- | DRAWN BY TREGOR I | DATE 2010/10/06 | APPROVED BY JCOMERC I | DATE 2010/10/22 | DOCUMENT NO. SD-45802-0001 | SHEET NO. 3 OF 4 | |
| 2 PLACES ± 0.15 | ± --- | MATERIAL NO. | | | | | | |
| 1 PLACE ± 0.3 | ± --- | ANGULAR ± 1/2° | | DRAFT WHERE APPLICABLE MUST REMAIN WITHIN DIMENSIONS | | THIS DRAWING CONTAINS INFORMATION THAT IS PROPRIETARY TO MOLEX INCORPORATED AND SHOULD NOT BE USED WITHOUT WRITTEN PERMISSION | | |
| 0 PLACE ± | ± | SIZE B | | SEE TABLE | | MATERIAL NO. | | |

10 9 8 7 6 5 4 3 2 1



PCB LAYOUT: COMPONENT SIDE
 FOR DIM E = 3.77 CONNECTORS
 PCB THICKNESS: NA
 SEE SHEET 1 FOR DETAILED OVAL PAD LAYOUT

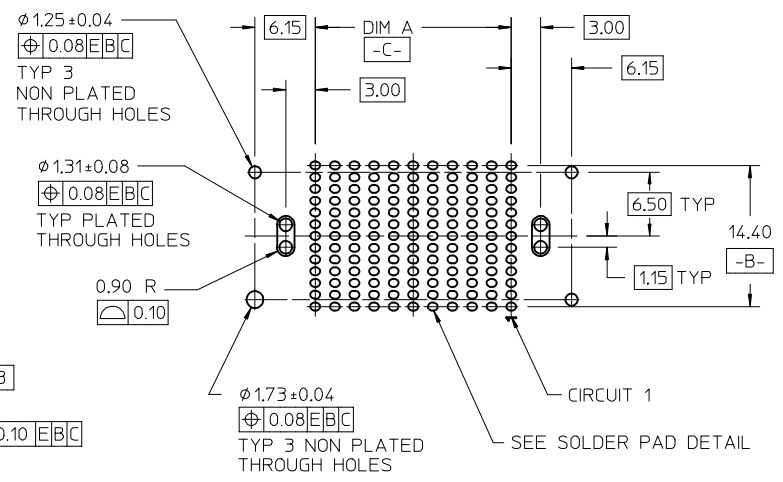
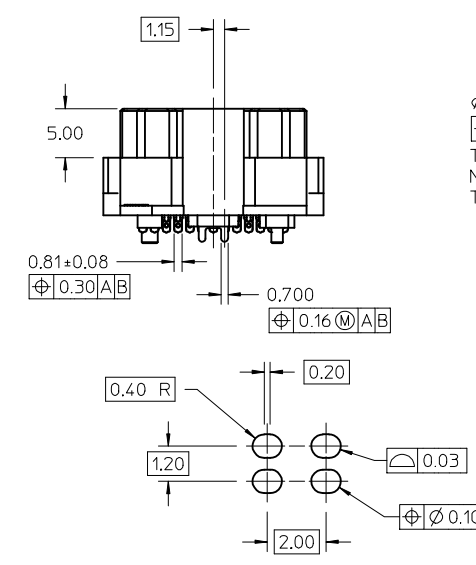
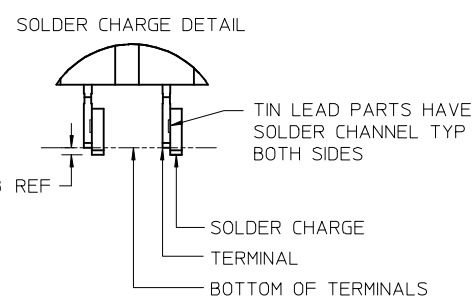
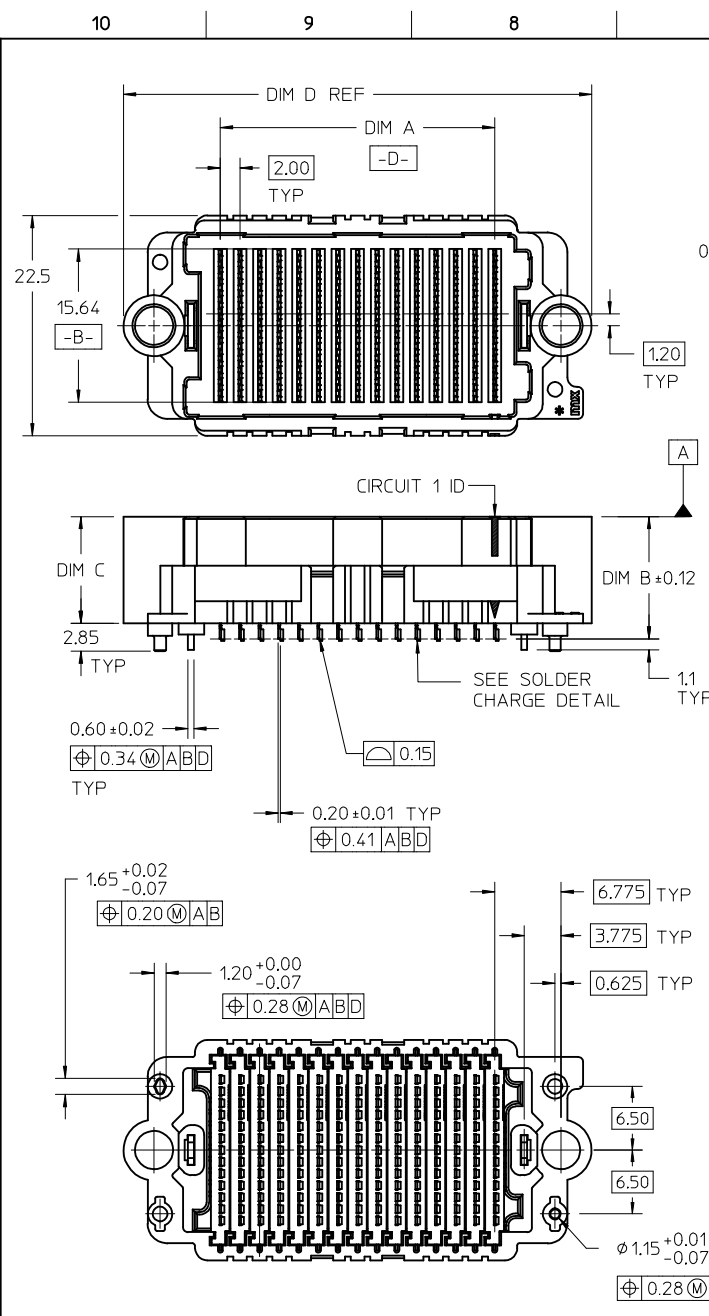
PARTS SHOWN ON THIS SHEET
 HAVE THE FOLLOWING OPTIONS:
 DIM E = 3.77
 PACKAGING: MOLEX STANDARD TRAYS
 OR JEDEC STYLE TRAYS

| | | | MOLEX TRAY | JEDEC TYPE |
|------------------|---------------|-------|-------------|-------------|
| TIN / LEAD PARTS | STACK HEIGHT: | | 18 mm | 18 mm |
| | DIM B: | | 20.51 | 20.51 |
| | DIM C: | | 18.90 | 18.90 |
| | | | MATERIAL No | MATERIAL No |
| 07 | 12.00 | 31.89 | 45802-1507 | 45802-1589 |
| 09 | 16.00 | 35.89 | 45802-1509 | 45802-1590 |
| 11 | 20.00 | 39.89 | 45802-1511 | 45802-1591 |
| 13 | 24.00 | 43.89 | 45802-1513 | 45802-1592 |
| 15 | 28.00 | 47.89 | 45802-1515 | 45802-1593 |
| 17 | 32.00 | 51.89 | 45802-1517 | 45802-1594 |
| 19 | 36.00 | 55.89 | 45802-1519 | 45802-1595 |
| 21 | 40.00 | 59.89 | 45802-1521 | 45802-1596 |
| 23 | 44.00 | 63.89 | 45802-1523 | 45802-1597 |
| 25 | 48.00 | 67.89 | 45802-1525 | 45802-1598 |
| 27 | 52.00 | 71.89 | 45802-1527 | 45802-1599 |

| | | | MOLEX TRAY | JEDEC TYPE |
|-----------|---------------|-------|-------------|-------------|
| TIN PARTS | STACK HEIGHT: | | 18 mm | 18 mm |
| | DIM B: | | 20.51 | 20.51 |
| | DIM C: | | 18.90 | 18.90 |
| ROWS | DIM A | DIM D | MATERIAL No | MATERIAL No |
| 07 | 12.00 | 31.89 | 45802-1607 | 45802-1689 |
| 09 | 16.00 | 35.89 | 45802-1609 | 45802-1690 |
| 11 | 20.00 | 39.89 | 45802-1611 | 45802-1691 |
| 13 | 24.00 | 43.89 | 45802-1613 | 45802-1692 |
| 15 | 28.00 | 47.89 | 45802-1615 | 45802-1693 |
| 17 | 32.00 | 51.89 | 45802-1617 | 45802-1694 |
| 19 | 36.00 | 55.89 | 45802-1619 | 45802-1695 |
| 21 | 40.00 | 59.89 | 45802-1621 | 45802-1696 |
| 23 | 44.00 | 63.89 | 45802-1623 | 45802-1697 |
| 25 | 48.00 | 67.89 | 45802-1625 | 45802-1698 |
| 27 | 52.00 | 71.89 | 45802-1627 | 45802-1699 |

| SEE SHEET 1 EC NO: UCP2016-3732 DRWNS:SVANG01 2016/03/24 CHKD:MCA IN 2016/03/24 APPR:DMCGOWAN 2016/03/31 | QUALITY SYMBOLS | GENERAL TOLERANCES (UNLESS SPECIFIED) | DIMENSION STYLE | SCALE | DESIGN UNITS | THIRD ANGLE PROJECTION | | | | | | | | | | | | | | | | | | |
|--|---|--|-----------------|--------------|---------------|------------------------|-----------|-----------|------------|-------------|--|----------|------------|-----------|---------|-----------|-----------|---------|-------|-------|---------|-----|--------|--|
| | $\nabla = 0$ $\nabla = 0$ $\nabla = 0$ | <table border="1"> <thead> <tr> <th></th> <th>mm</th> <th>INCH</th> </tr> </thead> <tbody> <tr> <td>4 PLACES</td> <td>\pm ---</td> <td>\pm ---</td> </tr> <tr> <td>3 PLACES</td> <td>± 0.050</td> <td>\pm ---</td> </tr> <tr> <td>2 PLACES</td> <td>± 0.15</td> <td>\pm ---</td> </tr> <tr> <td>1 PLACE</td> <td>± 0.3</td> <td>\pm ---</td> </tr> <tr> <td>0 PLACE</td> <td>\pm</td> <td>\pm</td> </tr> </tbody> </table> | | mm | INCH | 4 PLACES | \pm --- | \pm --- | 3 PLACES | ± 0.050 | \pm --- | 2 PLACES | ± 0.15 | \pm --- | 1 PLACE | ± 0.3 | \pm --- | 0 PLACE | \pm | \pm | MM ONLY | 3:1 | METRIC | |
| | | mm | INCH | | | | | | | | | | | | | | | | | | | | | |
| | 4 PLACES | \pm --- | \pm --- | | | | | | | | | | | | | | | | | | | | | |
| 3 PLACES | ± 0.050 | \pm --- | | | | | | | | | | | | | | | | | | | | | | |
| 2 PLACES | ± 0.15 | \pm --- | | | | | | | | | | | | | | | | | | | | | | |
| 1 PLACE | ± 0.3 | \pm --- | | | | | | | | | | | | | | | | | | | | | | |
| 0 PLACE | \pm | \pm | | | | | | | | | | | | | | | | | | | | | | |
| DESCRIPTION | <table border="1"> <thead> <tr> <th>DRAWN BY</th> <th>DATE</th> </tr> </thead> <tbody> <tr> <td>TGREGORI</td> <td>2010/10/06</td> </tr> <tr> <th>CHECKED BY</th> <th>DATE</th> </tr> <tr> <td>JCOMERCI</td> <td>2010/10/22</td> </tr> </tbody> </table> | DRAWN BY | DATE | TGREGORI | 2010/10/06 | CHECKED BY | DATE | JCOMERCI | 2010/10/22 | TITLE | HIGH DENSITY MEZZANINE RECEPTACLE ASSEMBLY | | | | | | | | | | | | | |
| DRAWN BY | DATE | | | | | | | | | | | | | | | | | | | | | | | |
| TGREGORI | 2010/10/06 | | | | | | | | | | | | | | | | | | | | | | | |
| CHECKED BY | DATE | | | | | | | | | | | | | | | | | | | | | | | |
| JCOMERCI | 2010/10/22 | | | | | | | | | | | | | | | | | | | | | | | |
| REV | ANGULAR $\pm 1/2^\circ$ DRAFT WHERE APPLICABLE MUST REMAIN WITHIN DIMENSIONS | MATERIAL NO. | SEE TABLE | DOCUMENT NO. | SD-45802-0001 | SHEET NO. 4 OF 4 | | | | | | | | | | | | | | | | | | |

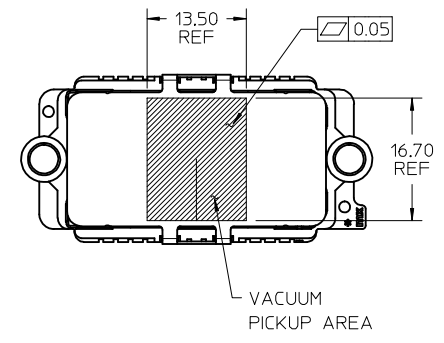
9 8 7 6 5 4 3 2 1



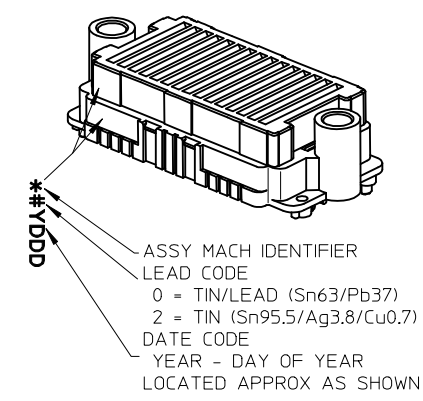
- NOTES:
- HOUSING MATERIAL: LCP, GLASS FILLED, UL 94V-0, BLACK
CONTACT MATERIAL: HIGH PERFORMANCE ALLOY
SOLDER NAIL MATERIAL: STAINLESS STEEL
SOLDER CHARGE: SEE TABLE
 - FINISH: SELECT GOLD: 30 MICRO-INCHES MINIMUM IN CONTACT AREA
SELECT TIN: 100 MICRO-INCHES MINIMUM IN TAIL AREA BOTH OVER NICKEL
 - PRODUCT SPECIFICATION: PS-45802-001
 - COSMETIC SPECIFICATION: PS-45499-002 CLASS B
 - PACKAGING SPECIFICATION: PK-45802-001 MOLEX STANDARD TRAYS
PK-45802-0002 JEDEC STYLE TRAYS
 - DATUM -D- IS THE CENTERLINE OF THE 2 END SLOTS. END SLOT CENTERLINES ARE ESTABLISHED USING 2 MEASUREMENTS FOR EACH SLOT TAKEN 7.20 EITHER SIDE OF DATUM -B-
 - THERE ARE 13 CIRCUITS PER ROW.

| | | | | | | | | | | | |
|---|---|---|-----------------------|-----------------------------------|----------------------------------|--|------------------------|------------------------|--|--|--|
| CLARIFY PEG LOCATION EC NO: UCP2016-3732 DRAWN: SVANG01 2016/03/24 CHKD: MCAN 2016/03/24 APPR: DMCCOWAN 2016/03/31 | QUALITY SYMBOLS $\nabla/0$ $\nabla/0$ $\nabla/0$ | GENERAL TOLERANCES (UNLESS SPECIFIED) | | DIMENSION STYLE MM ONLY | | SCALE 2:1 | DESIGN UNITS METRIC | THIRD ANGLE PROJECTION | | | |
| | | 4 PLACES ± --- ± --- | 3 PLACES ± 0.05 ± --- | DRAWN BY TGREGORI | DATE 2010/10/06 | TITLE HIGH DENSITY MEZZANINE RECEPTACLE ASSEMBLY WITH SHORT SOLDER NAILS | | | | | |
| | | 2 PLACES ± 0.15 ± --- | 1 PLACE ± 0.30 ± --- | 0 PLACE ± ± | APPROVED BY JCOMERCI | DATE 2010/10/22 | molex | | | | |
| | | ANGULAR ± 1/2° DRAFT WHERE APPLICABLE MUST REMAIN WITHIN DIMENSIONS | | | MATERIAL NO. SEE TABLE | DOCUMENT NO. SD-45802-0002 | SHEET NO. 1 OF 3 | | | | |

| | | | 10 | 9 | 8 | 7 | 6 | 5 | 4 | 3 | 2 | 1 | |
|---|---------------|-------|-------|-------------|-------------|-------------|-------------|-------------|-------------|-------------|-------------|-------------|------------|
| F | STACK HEIGHT: | | 8 mm | 9 mm | 10 mm | 11 mm | 12 mm | 13 mm | 14 mm | 15 mm | 17 mm | 18 mm | |
| | DIM B: | | 10.51 | 11.51 | 12.51 | 13.51 | 14.51 | 15.51 | 16.51 | 17.51 | 19.51 | 20.51 | |
| | DIM C: | | 8.90 | 9.90 | 10.90 | 11.90 | 12.90 | 13.90 | 14.90 | 15.90 | 17.90 | 18.90 | |
| E | ROWS | DIM A | DIM G | MATERIAL No | MATERIAL No | MATERIAL No | MATERIAL No | MATERIAL No | MATERIAL No | MATERIAL No | MATERIAL No | MATERIAL No | |
| | 07 | 12.00 | 31.89 | 45802-0707 | 45802-3707 | 45802-2707 | 45802-8707 | 45802-4707 | 45802-9707 | 45802-6707 | 45802-7707 | 45802-5707 | 45802-1707 |
| | 09 | 16.00 | 35.89 | 45802-0709 | 45802-3709 | 45802-2709 | 45802-8709 | 45802-4709 | 45802-9709 | 45802-6709 | 45802-7709 | 45802-5709 | 45802-1709 |
| | 11 | 20.00 | 39.89 | 45802-0711 | 45802-3711 | 45802-2711 | 45802-8711 | 45802-4711 | 45802-9711 | 45802-6711 | 45802-7711 | 45802-5711 | 45802-1711 |
| | 13 | 24.00 | 43.89 | 45802-0713 | 45802-3713 | 45802-2713 | 45802-8713 | 45802-4713 | 45802-9713 | 45802-6713 | 45802-7713 | 45802-5713 | 45802-1713 |
| | 15 | 28.00 | 47.89 | 45802-0715 | 45802-3715 | 45802-2715 | 45802-8715 | 45802-4715 | 45802-9715 | 45802-6715 | 45802-7715 | 45802-5715 | 45802-1715 |
| | 17 | 32.00 | 51.89 | 45802-0717 | 45802-3717 | 45802-2717 | 45802-8717 | 45802-4717 | 45802-9717 | 45802-6717 | 45802-7717 | 45802-5717 | 45802-1717 |
| | 19 | 36.00 | 55.89 | 45802-0719 | 45802-3719 | 45802-2719 | 45802-8719 | 45802-4719 | 45802-9719 | 45802-6719 | 45802-7719 | 45802-5719 | 45802-1719 |
| | 21 | 40.00 | 59.89 | 45802-0721 | 45802-3721 | 45802-2721 | 45802-8721 | 45802-4721 | 45802-9721 | 45802-6721 | 45802-7721 | 45802-5721 | 45802-1721 |
| | 23 | 44.00 | 63.89 | 45802-0723 | 45802-3723 | 45802-2723 | 45802-8723 | 45802-4723 | 45802-9723 | 45802-6723 | 45802-7723 | 45802-5723 | 45802-1723 |
| | 25 | 48.00 | 67.89 | 45802-0725 | 45802-3725 | 45802-2725 | 45802-8725 | 45802-4725 | 45802-9725 | 45802-6725 | 45802-7725 | 45802-5725 | 45802-1725 |
| | 27 | 52.00 | 71.89 | 45802-0727 | 45802-3727 | 45802-2727 | 45802-8727 | 45802-4727 | 45802-9727 | 45802-6727 | 45802-7727 | 45802-5727 | 45802-1727 |



| | | | 10 | 9 | 8 | 7 | 6 | 5 | 4 | 3 | 2 | 1 | |
|---|---------------|-------|-------|-------------|-------------|-------------|-------------|-------------|-------------|-------------|-------------|-------------|------------|
| D | STACK HEIGHT: | | 8 mm | 9 mm | 10 mm | 11 mm | 12 mm | 13 mm | 14 mm | 15 mm | 17 mm | 18 mm | |
| | DIM B: | | 10.51 | 11.51 | 12.51 | 13.51 | 14.51 | 15.51 | 16.51 | 17.51 | 19.51 | 20.51 | |
| | DIM C: | | 8.90 | 9.90 | 10.90 | 11.90 | 12.90 | 13.90 | 14.90 | 15.90 | 17.90 | 18.90 | |
| C | ROWS | DIM A | DIM G | MATERIAL No | MATERIAL No | MATERIAL No | MATERIAL No | MATERIAL No | MATERIAL No | MATERIAL No | MATERIAL No | MATERIAL No | |
| | 07 | 12.00 | 31.89 | 45802-0807 | 45802-3807 | 45802-2807 | 45802-8807 | 45802-4807 | 45802-9807 | 45802-6807 | 45802-7807 | 45802-5807 | 45802-1807 |
| | 09 | 16.00 | 35.89 | 45802-0809 | 45802-3809 | 45802-2809 | 45802-8809 | 45802-4809 | 45802-9809 | 45802-6809 | 45802-7809 | 45802-5809 | 45802-1809 |
| | 11 | 20.00 | 39.89 | 45802-0811 | 45802-3811 | 45802-2811 | 45802-8811 | 45802-4811 | 45802-9811 | 45802-6811 | 45802-7811 | 45802-5811 | 45802-1811 |
| | 13 | 24.00 | 43.89 | 45802-0813 | 45802-3813 | 45802-2813 | 45802-8813 | 45802-4813 | 45802-9813 | 45802-6813 | 45802-7813 | 45802-5813 | 45802-1813 |
| | 15 | 28.00 | 47.89 | 45802-0815 | 45802-3815 | 45802-2815 | 45802-8815 | 45802-4815 | 45802-9815 | 45802-6815 | 45802-7815 | 45802-5815 | 45802-1815 |
| | 17 | 32.00 | 51.89 | 45802-0817 | 45802-3817 | 45802-2817 | 45802-8817 | 45802-4817 | 45802-9817 | 45802-6817 | 45802-7817 | 45802-5817 | 45802-1817 |
| | 19 | 36.00 | 55.89 | 45802-0819 | 45802-3819 | 45802-2819 | 45802-8819 | 45802-4819 | 45802-9819 | 45802-6819 | 45802-7819 | 45802-5819 | 45802-1819 |
| | 21 | 40.00 | 59.89 | 45802-0821 | 45802-3821 | 45802-2821 | 45802-8821 | 45802-4821 | 45802-9821 | 45802-6821 | 45802-7821 | 45802-5821 | 45802-1821 |
| | 23 | 44.00 | 63.89 | 45802-0823 | 45802-3823 | 45802-2823 | 45802-8823 | 45802-4823 | 45802-9823 | 45802-6823 | 45802-7823 | 45802-5823 | 45802-1823 |
| | 25 | 48.00 | 67.89 | 45802-0825 | 45802-3825 | 45802-2825 | 45802-8825 | 45802-4825 | 45802-9825 | 45802-6825 | 45802-7825 | 45802-5825 | 45802-1825 |
| | 27 | 52.00 | 71.89 | 45802-0827 | 45802-3827 | 45802-2827 | 45802-8827 | 45802-4827 | 45802-9827 | 45802-6827 | 45802-7827 | 45802-5827 | 45802-1827 |



ALL PARTS ON THIS SHEET
HAVE THE FOLLOWING OPTIONS

PACKAGING: MOLEX STANDARD TRAY

NOTE:
1. SOLDER CHARGE COMPOSITION
TIN/LEAD: Sn 63/Pb 37
TIN: Sn 95.5/ Ag 3.8/ Cu 0.7

| | | | | | | |
|--|--|---------------------------------------|---|--|--------------|------------------------|
| SEE SHEET 1 EC NO: UCP2016-3732 DRWNS:SVANG01 2016/03/24 CHKD:KACAIN 2016/03/24 APPR:DMCGOWAN 2016/03/31 | QUALITY SYMBOLS | GENERAL TOLERANCES (UNLESS SPECIFIED) | DIMENSION STYLE | SCALE | DESIGN UNITS | THIRD ANGLE PROJECTION |
| | $F=0$ | mm INCH | MM ONLY | 1.5:1 | METRIC | |
| | $E=0$ | 4 PLACES ± --- ± --- | DRAWN BY DATE | TITLE | | |
| | $E=0$ | 3 PLACES ± 0.05 ± --- | TGREGORI 2010/10/06 | HIGH DENSITY MEZZANINE RECEPTACLE ASSEMBLY WITH SHORT SOLDER NAILS | | |
| $E=0$ | 2 PLACES ± 0.15 ± --- | CHECKED BY DATE | DOCUMENT NO. | | | |
| | 1 PLACE ± 0.30 ± --- | APPROVED BY DATE | SD-45802-0002 | | | |
| | 0 PLACE ± ± | JCOMERCI 2010/10/22 | SHEET NO. | | | |
| | ANGULAR ± 1/2° | MATERIAL NO. | 2 OF 3 | | | |
| | DRAFT WHERE APPLICABLE MUST REMAIN WITHIN DIMENSIONS | SEE TABLE | THIS DRAWING CONTAINS INFORMATION THAT IS PROPRIETARY TO MOLEX INCORPORATED AND SHOULD NOT BE USED WITHOUT WRITTEN PERMISSION | | | |
| | | SIZE B | | | | |

| | | | 10 | 9 | 8 | 7 | 6 | 5 | 4 | 3 | 2 | 1 | |
|-----------------------|---------------|-------|------------|-------------|-------------|-------------|-------------|-------------|-------------|-------------|-------------|-------------|------------|
| F TIN / LEAD PARTS | STACK HEIGHT: | | 8 mm | 9 mm | 10 mm | 11 mm | 12 mm | 13 mm | 14 mm | 15 mm | 17 mm | 18 mm | |
| | DIM B: | | 10.51 | 11.51 | 12.51 | 13.51 | 14.51 | 15.51 | 16.51 | 17.51 | 19.51 | 20.51 | |
| | DIM C: | | 8.90 | 9.90 | 10.90 | 11.90 | 12.90 | 13.90 | 14.90 | 15.90 | 17.90 | 18.90 | |
| | ROWS | DIM A | DIM G | MATERIAL No | MATERIAL No | MATERIAL No | MATERIAL No | MATERIAL No | MATERIAL No | MATERIAL No | MATERIAL No | MATERIAL No | |
| | 07 | 12.00 | 31.89 | 45802-0789 | 45802-3789 | 45802-2789 | 45802-8789 | 45802-4789 | 45802-9789 | 45802-6789 | 45802-7789 | 45802-5789 | 45802-1789 |
| | 09 | 16.00 | 35.89 | 45802-0790 | 45802-3790 | 45802-2790 | 45802-8790 | 45802-4790 | 45802-9790 | 45802-6790 | 45802-7790 | 45802-5790 | 45802-1790 |
| | 11 | 20.00 | 39.89 | 45802-0791 | 45802-3791 | 45802-2791 | 45802-8791 | 45802-4791 | 45802-9791 | 45802-6791 | 45802-7791 | 45802-5791 | 45802-1791 |
| | 13 | 24.00 | 43.89 | 45802-0792 | 45802-3792 | 45802-2792 | 45802-8792 | 45802-4792 | 45802-9792 | 45802-6792 | 45802-7792 | 45802-5792 | 45802-1792 |
| | 15 | 28.00 | 47.89 | 45802-0793 | 45802-3793 | 45802-2793 | 45802-8793 | 45802-4793 | 45802-9793 | 45802-6793 | 45802-7793 | 45802-5793 | 45802-1793 |
| | 17 | 32.00 | 51.89 | 45802-0794 | 45802-3794 | 45802-2794 | 45802-8794 | 45802-4794 | 45802-9794 | 45802-6794 | 45802-7794 | 45802-5794 | 45802-1794 |
| | 19 | 36.00 | 55.89 | 45802-0795 | 45802-3795 | 45802-2795 | 45802-8795 | 45802-4795 | 45802-9795 | 45802-6795 | 45802-7795 | 45802-5795 | 45802-1795 |
| | 21 | 40.00 | 59.89 | 45802-0796 | 45802-3796 | 45802-2796 | 45802-8796 | 45802-4796 | 45802-9796 | 45802-6796 | 45802-7796 | 45802-5796 | 45802-1796 |
| | 23 | 44.00 | 63.89 | 45802-0797 | 45802-3797 | 45802-2797 | 45802-8797 | 45802-4797 | 45802-9797 | 45802-6797 | 45802-7797 | 45802-5797 | 45802-1797 |
| 25 | 48.00 | 67.89 | 45802-0798 | 45802-3798 | 45802-2798 | 45802-8798 | 45802-4798 | 45802-9798 | 45802-6798 | 45802-7798 | 45802-5798 | 45802-1798 | |
| 27 | 52.00 | 71.89 | 45802-0799 | 45802-3799 | 45802-2799 | 45802-8799 | 45802-4799 | 45802-9799 | 45802-6799 | 45802-7799 | 45802-5799 | 45802-1799 | |

| | | | 10 | 9 | 8 | 7 | 6 | 5 | 4 | 3 | 2 | 1 | |
|--------------------------|---------------|-------|------------|-------------|-------------|-------------|-------------|-------------|-------------|-------------|-------------|-------------|------------|
| D C B TIN PARTS | STACK HEIGHT: | | 8 mm | 9 mm | 10 mm | 11 mm | 12 mm | 13 mm | 14 mm | 15 mm | 17 mm | 18 mm | |
| | DIM B: | | 10.51 | 11.51 | 12.51 | 13.51 | 14.51 | 15.51 | 16.51 | 17.51 | 19.51 | 20.51 | |
| | DIM C: | | 8.90 | 9.90 | 10.90 | 11.90 | 12.90 | 13.90 | 14.90 | 15.90 | 17.90 | 18.90 | |
| | ROWS | DIM A | DIM G | MATERIAL No | MATERIAL No | MATERIAL No | MATERIAL No | MATERIAL No | MATERIAL No | MATERIAL No | MATERIAL No | MATERIAL No | |
| | 07 | 12.00 | 31.89 | 45802-0889 | 45802-3889 | 45802-2889 | 45802-8889 | 45802-4889 | 45802-9889 | 45802-6889 | 45802-7889 | 45802-5889 | 45802-1889 |
| | 09 | 16.00 | 35.89 | 45802-0890 | 45802-3890 | 45802-2890 | 45802-8890 | 45802-4890 | 45802-9890 | 45802-6890 | 45802-7890 | 45802-5890 | 45802-1890 |
| | 11 | 20.00 | 39.89 | 45802-0891 | 45802-3891 | 45802-2891 | 45802-8891 | 45802-4891 | 45802-9891 | 45802-6891 | 45802-7891 | 45802-5891 | 45802-1891 |
| | 13 | 24.00 | 43.89 | 45802-0892 | 45802-3892 | 45802-2892 | 45802-8892 | 45802-4892 | 45802-9892 | 45802-6892 | 45802-7892 | 45802-5892 | 45802-1892 |
| | 15 | 28.00 | 47.89 | 45802-0893 | 45802-3893 | 45802-2893 | 45802-8893 | 45802-4893 | 45802-9893 | 45802-6893 | 45802-7893 | 45802-5893 | 45802-1893 |
| | 17 | 32.00 | 51.89 | 45802-0894 | 45802-3894 | 45802-2894 | 45802-8894 | 45802-4894 | 45802-9894 | 45802-6894 | 45802-7894 | 45802-5894 | 45802-1894 |
| | 19 | 36.00 | 55.89 | 45802-0895 | 45802-3895 | 45802-2895 | 45802-8895 | 45802-4895 | 45802-9895 | 45802-6895 | 45802-7895 | 45802-5895 | 45802-1895 |
| | 21 | 40.00 | 59.89 | 45802-0896 | 45802-3896 | 45802-2896 | 45802-8896 | 45802-4896 | 45802-9896 | 45802-6896 | 45802-7896 | 45802-5896 | 45802-1896 |
| | 23 | 44.00 | 63.89 | 45802-0897 | 45802-3897 | 45802-2897 | 45802-8897 | 45802-4897 | 45802-9897 | 45802-6897 | 45802-7897 | 45802-5897 | 45802-1897 |
| 25 | 48.00 | 67.89 | 45802-0898 | 45802-3898 | 45802-2898 | 45802-8898 | 45802-4898 | 45802-9898 | 45802-6898 | 45802-7898 | 45802-5898 | 45802-1898 | |
| 27 | 52.00 | 71.89 | 45802-0899 | 45802-3899 | 45802-2899 | 45802-8899 | 45802-4899 | 45802-9899 | 45802-6899 | 45802-7899 | 45802-5899 | 45802-1899 | |

ALL PARTS ON THIS SHEET HAVE THE FOLLOWING OPTIONS:
PACKAGING: JEDEC STYLE TRAY

| | | | | | | | |
|--|----------|-----------------------|---------------------------------------|---|--|--------------|------------------------|
| A SEE SHEET 1 EC NO: UCP2016-3732 DRAWN: SVANG01 2016/03/24 CHKD: MCAIN 2016/03/24 APPR: DMC GOWAN 2016/03/31 | F REV | QUALITY SYMBOLS | GENERAL TOLERANCES (UNLESS SPECIFIED) | DIMENSION STYLE | SCALE | DESIGN UNITS | THIRD ANGLE PROJECTION |
| | | ▽F=0 | mm INCH | MM ONLY | 1:1 | METRIC | |
| | | ▽E=0 | 4 PLACES ± --- ± --- | DRAWN BY DATE | TITLE | | |
| | | ▽F=0 | 3 PLACES ± 0.05 ± --- | TGREGORI 2010/10/06 | HIGH DENSITY MEZZANINE RECEPTACLE ASSEMBLY WITH SHORT SOLDER NAILS | | |
| | | 2 PLACES ± 0.15 ± --- | CHECKED BY DATE | molex | | | |
| | | 1 PLACE ± 0.30 ± --- | APPROVED BY DATE | DOCUMENT NO. | | | |
| | | 0 PLACE ± ± | JCOMERCI 2010/10/22 | SD-45802-0002 | | | |
| | | | MATERIAL NO. | SHEET NO. | | | |
| | | | SEE TABLE | 3 OF 3 | | | |
| | | | SIZE B | THIS DRAWING CONTAINS INFORMATION THAT IS PROPRIETARY TO MOLEX INCORPORATED AND SHOULD NOT BE USED WITHOUT WRITTEN PERMISSION | | | |