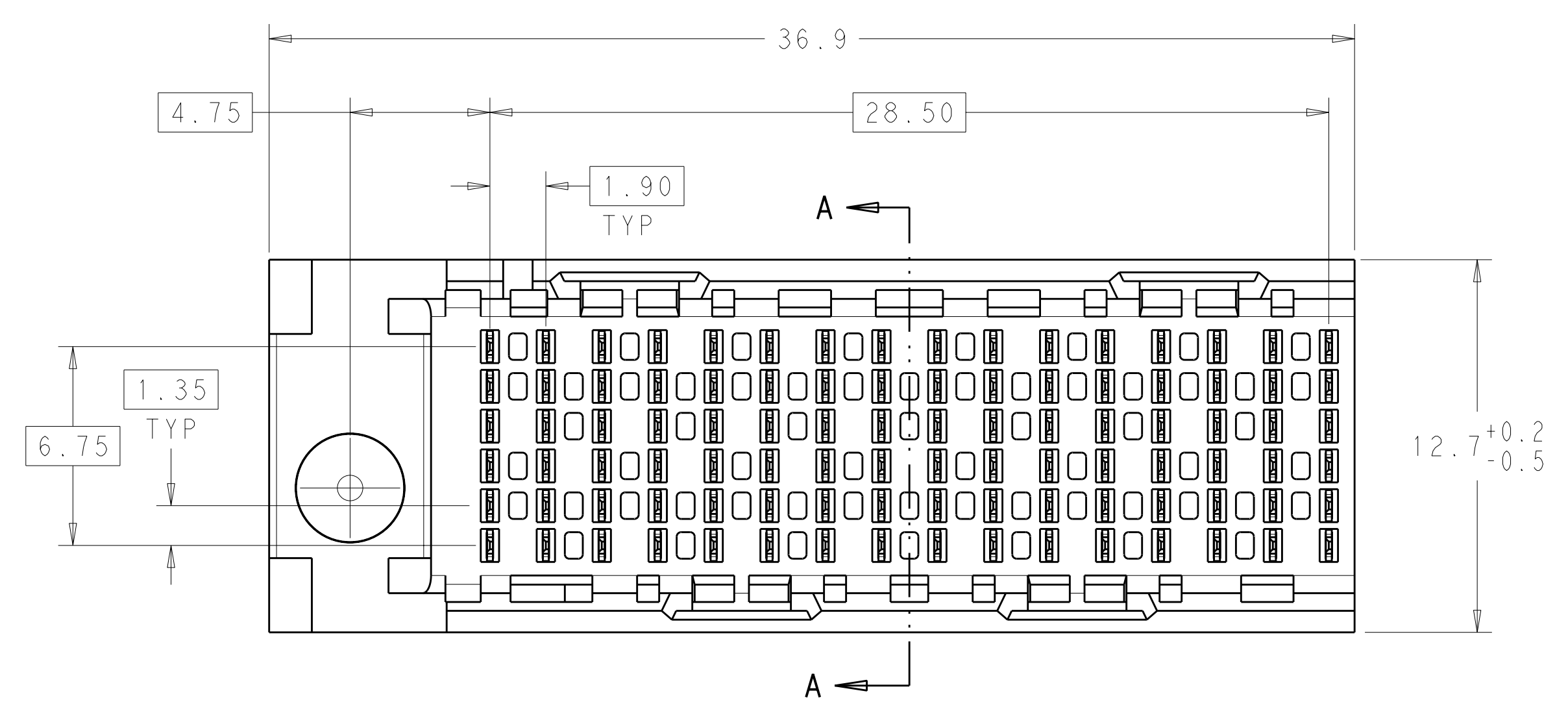
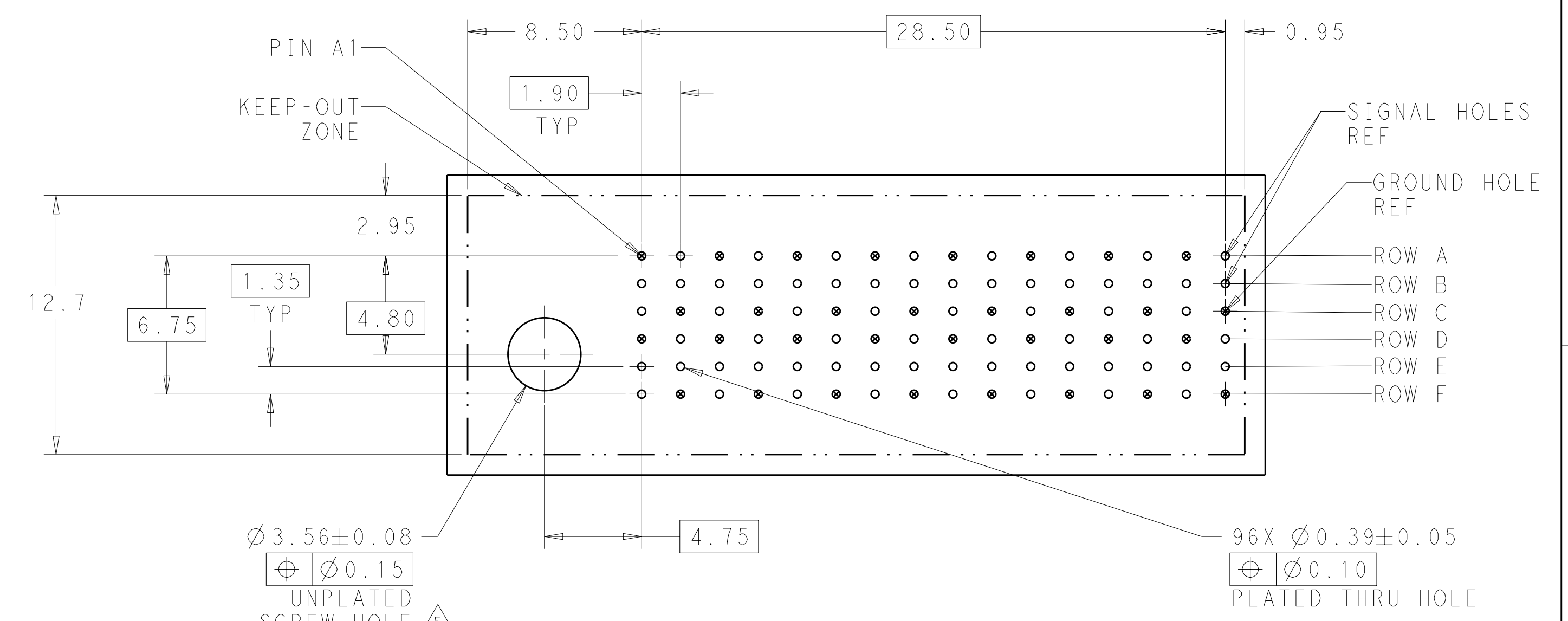
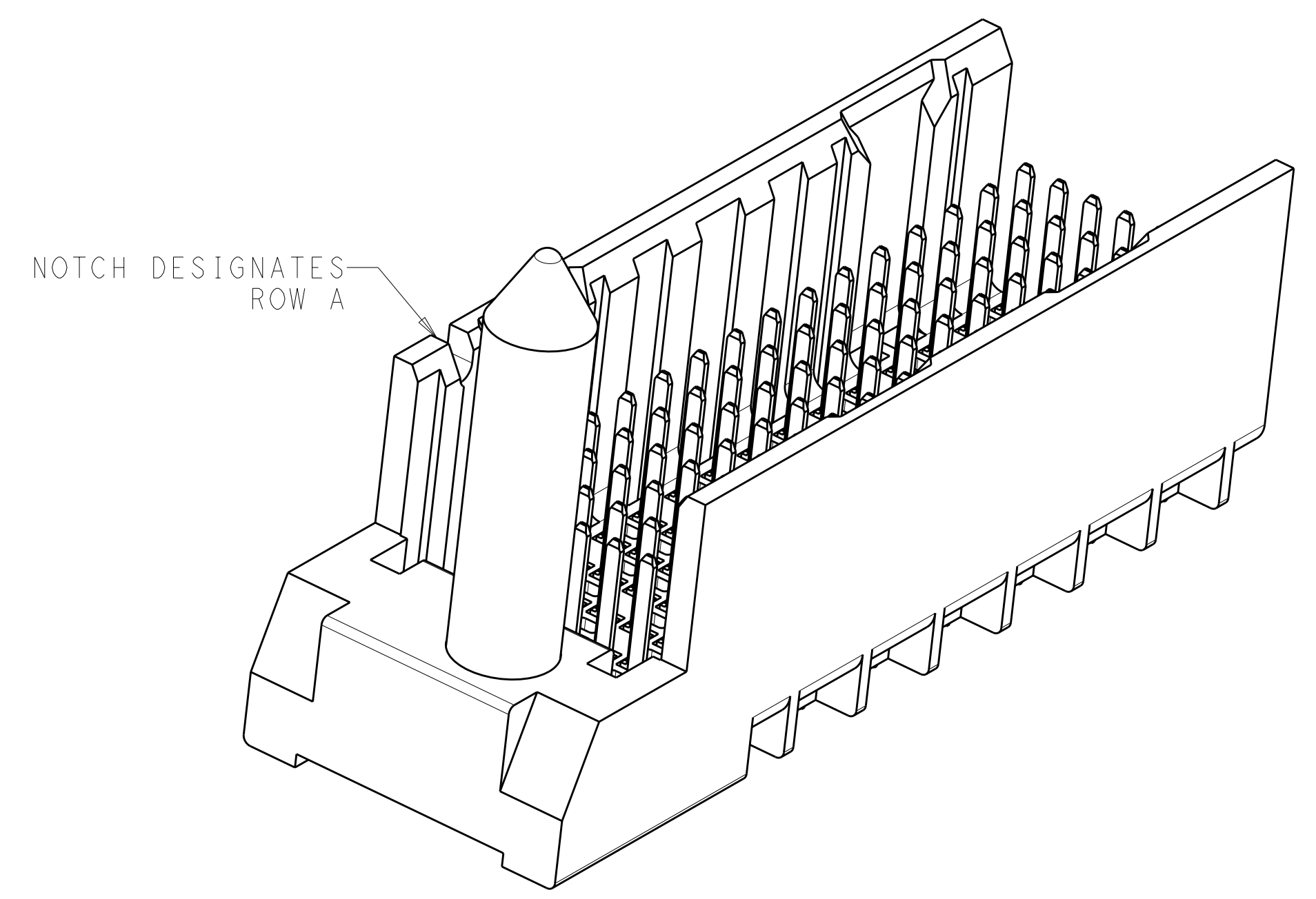


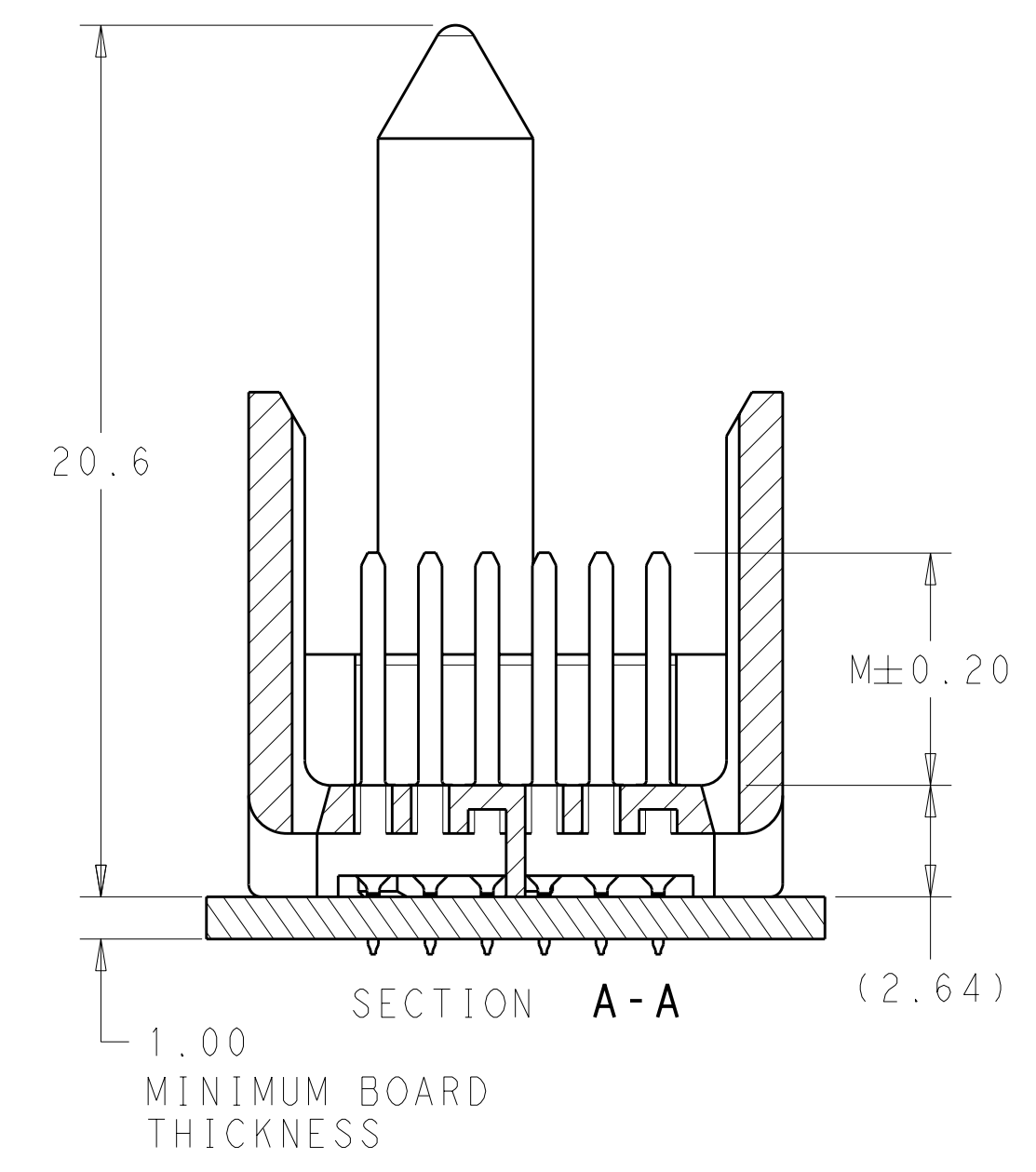
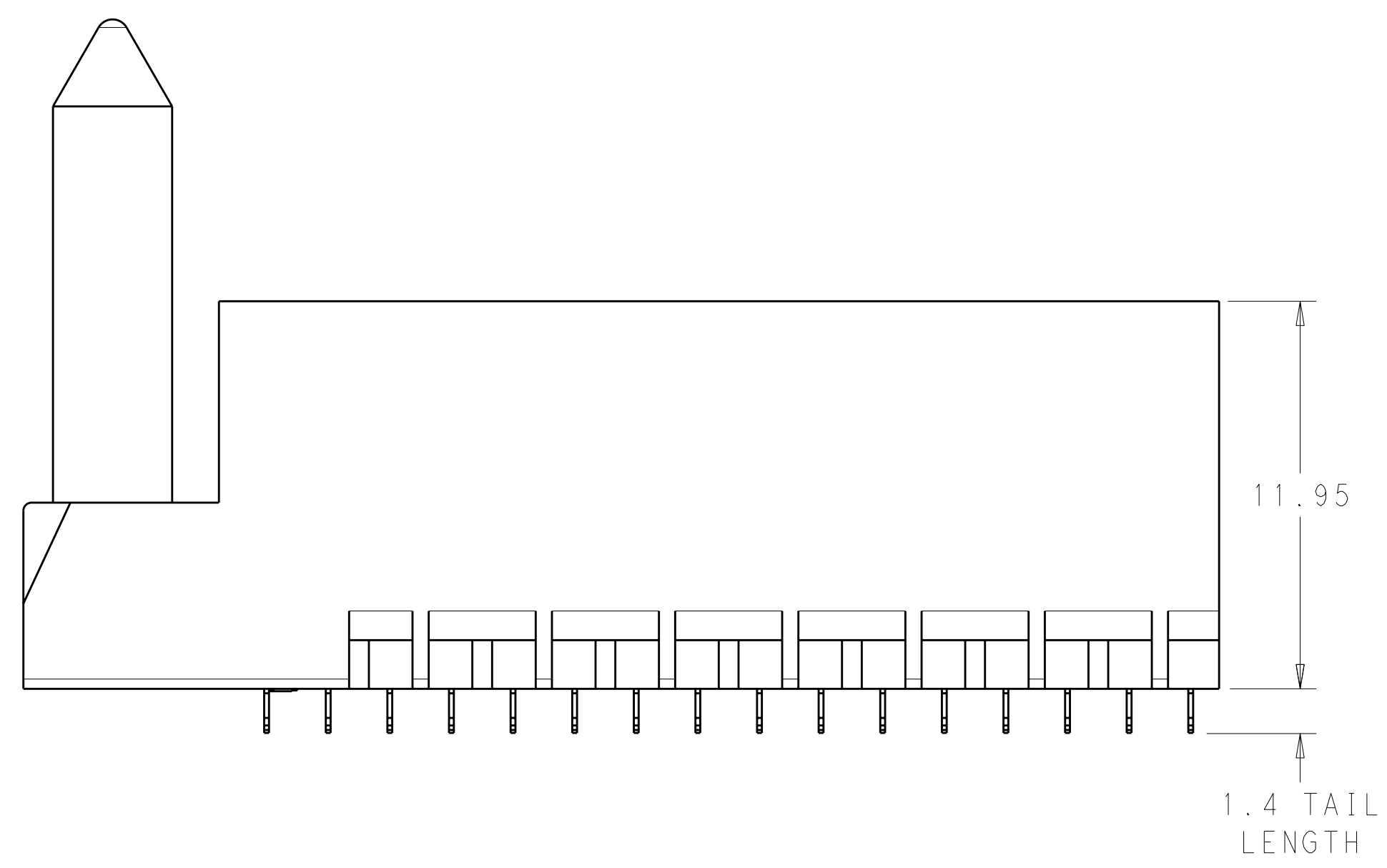
LOC		DIST		REVISIONS			
AD	00	P	LTR	DESCRIPTION	DATE	DWN	APVD
		B		REVISED PER ECO-11-025276	04JAN2012	KH	DY



- 1 MATERIAL:
HOUSING: LCP, GLASS FILLED, UL94V-0.
TERMINALS: HIGH PERFORMANCE COPPER ALLOY.
- 2 FINISH:
30μ" MIN GOLD IN CONTACT AREA. SELECTIVE TIN
ON PCB TAILS, NICKEL OVERALL.
- 3 FINISH:
30μ" MIN GOLD IN CONTACT AREA. SELECTIVE TIN-LEAD
ON PCB TAILS, NICKEL OVERALL.
- 4. SCREWS PACKAGED IN END OF PACKAGING TUBE.
- 5 FOR GROUNDED GUIDE PIN USE $\phi 3.56 \pm 0.08$ PTH,
 $\phi 3.66$ DRILL, AND $\phi 6.5$ PAD.



LEFT GUIDED
BACKPLANE HOLE PATTERN
(CONNECTOR SIDE)




THIS DRAWING IS A CONTROLLED DOCUMENT.		DWN	J. K. SHOBER	31JAN2011	TE Connectivity NAME: IMPACT, 2 PAIR, 16 COLUMN, HEADER LEFT GUIDED, OPEN END WALL SIGNAL MODULE, 0.39 PTH SIZE: CAGE CODE DRAWING NO. RESTRICTED TO A100779C=2057737 CUSTOMER DRAWING SCALE: 6:1 SHEET 1 OF 2 REV B
DIMENSIONS:		CHK	J. EARY	31JAN2011	
mm		APVD	J. EARY	31JAN2011	
9 PLC ± 1 PLC ±0.25 3 PLC ±0.13 5 PLC ± 4 PLC ± ANGLES ± FINISH SEE TABLE		TOLERANCES UNLESS OTHERWISE SPECIFIED:		PRODUCT SPEC	
MATERIAL		APPLICATION SPEC		WEIGHT	

THIS DRAWING IS UNPUBLISHED. RELEASED FOR PUBLICATION 20
 © COPYRIGHT 20 . . . ALL RIGHTS RESERVED.

LOC	DIST	REVISIONS					
AD	00	P	LTB	DESCRIPTION	DATE	DWN	APVD
		-	-	SEE SHEET 1	-	-	-

\triangle_3	5.5	2057737-6
\triangle_3	4.9	2057737-5
\triangle_3	4.5	2057737-4
\triangle_2	5.5	2057737-3
\triangle_2	4.9	2057737-2
\triangle_2	4.5	2057737-1
FINISH	DIM M	PART NUMBER

REFER TO WWW.TE.COM
FOR PRODUCT AVAILABILITY

THIS DRAWING IS A CONTROLLED DOCUMENT.		DWN J. K. SHOBER 31 JAN 2011																
DIMENSIONS: mm		CHK J. EARY 31 JAN 2011																
TOLERANCES UNLESS OTHERWISE SPECIFIED:		APVD J. EARY 31 JAN 2011	NAME IMPACT, 2 PAIR, 16 COLUMN, HEADER LEFT GUIDED, OPEN END WALL SIGNAL MODULE, 0.39 PTH															
<table border="1"> <tr><td>9 PLC</td><td>±</td></tr> <tr><td>7 PLC</td><td>±0.25</td></tr> <tr><td>5 PLC</td><td>±0.13</td></tr> <tr><td>3 PLC</td><td>±</td></tr> <tr><td>4 PLC</td><td>±</td></tr> <tr><td>ANGLES</td><td>±</td></tr> <tr><td>FINISH</td><td>±</td></tr> </table>		9 PLC	±	7 PLC	±0.25	5 PLC	±0.13	3 PLC	±	4 PLC	±	ANGLES	±	FINISH	±	PRODUCT SPEC	RESTRICTED TO	
9 PLC	±																	
7 PLC	±0.25																	
5 PLC	±0.13																	
3 PLC	±																	
4 PLC	±																	
ANGLES	±																	
FINISH	±																	
MATERIAL		APPLICATION SPEC	SIZE CAGE CODE DRAWING NO															
SEE TABLE		WEIGHT	A100779C=2057737															
CUSTOMER DRAWING		SCALE 5:1	SHEET 2 OF 2	REV B														