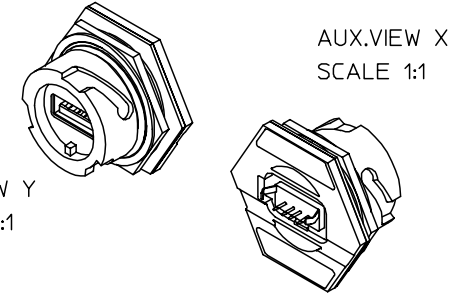
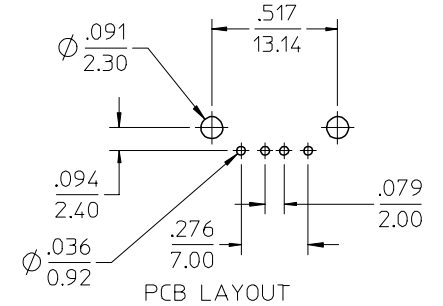
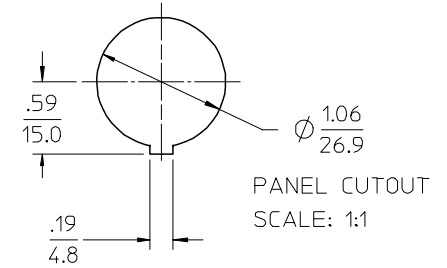
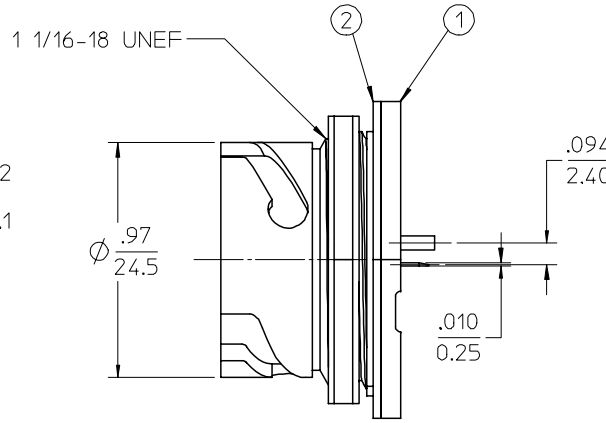
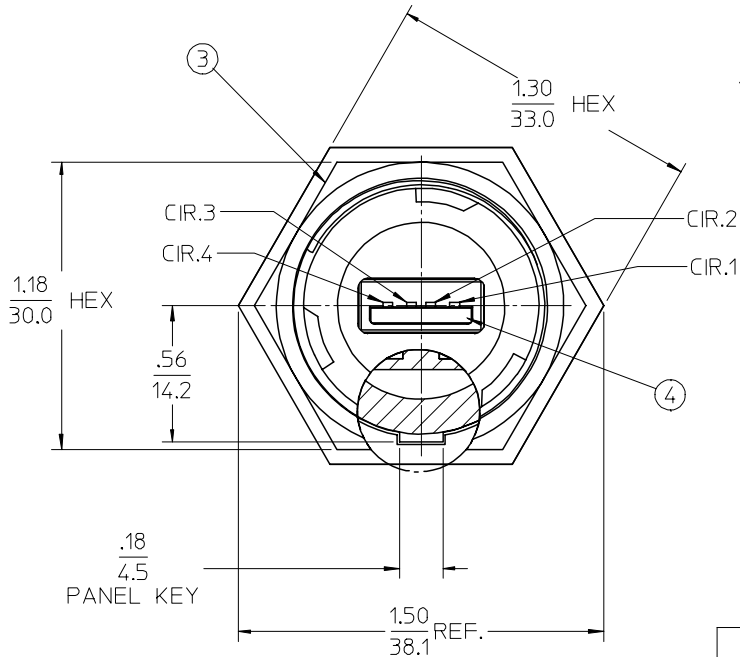


- NOTES:  
 1. MATERIAL: SEE TABLE  
 2. FINISHES: SEE TABLE  
 3. MATES WITH: INDUSTRY STD. BAYONET LOCKING USB TYPE A  
 4. MAX PANEL THICKNESS .10



AUX.VIEW Y  
SCALE 1:1

AUX.VIEW X  
SCALE 1:1



ITEM	QTY	DESCRIPTION	MATERIAL	FINISH
4	1	USB-A RECEPTACLE, PCB TYPE	VENDOR SPEC.	NI PLATED CONTACTS
3	1	LOCK-NUT	PA	BLACK
2	1	GASKET SEAL	NEOPRENE	BLACK
1	1	USB RECEPTACLE, PANEL MOUNT	PBT	BLACK

RELEASE TO BUILD	EC NO: ETC2006-0180	2006/01/11
	DRWR:RSTONE	2006/01/12
	CHKDR: DEROSS	2006/01/13
	APPR:RDEROSS	2006/01/13
REV	DESCRIPTION	
A		

QUALITY SYMBOLS		
	=0	
	=0	
GENERAL TOLERANCES (UNLESS SPECIFIED)		
	mm	INCH
4 PLACES	± .005	± .0005
3 PLACES	± .010	± .0010
2 PLACES	± 0.13	± .01
1 PLACE	± 0.25	± .01
ANGULAR ±1/2°		
DRAFT WHERE APPLICABLE MUST REMAIN WITHIN DIMENSIONS		

DIMENSION STYLE	
IN/MM	
DRAWN BY	DATE
R. STONE	05-11-21
CHECKED BY	DATE
R. DEROSS	06-01-05
APPROVED BY	DATE
R. DEROSS	06-01-05
MATERIAL NO.	
847290009	

SCALE	DESIGN UNITS	THIRD ANGLE PROJECTION
2:1	INCH	
TITLE		
RECEPTACLE, PANEL MT. USB-A, PCB STYLE		
MOLEX INCORPORATED		
DOCUMENT NO.		SHEET NO.
SD-84729-004		1 OF 1
THIS DRAWING CONTAINS INFORMATION THAT IS PROPRIETARY TO MOLEX INCORPORATED AND SHOULD NOT BE USED WITHOUT WRITTEN PERMISSION		