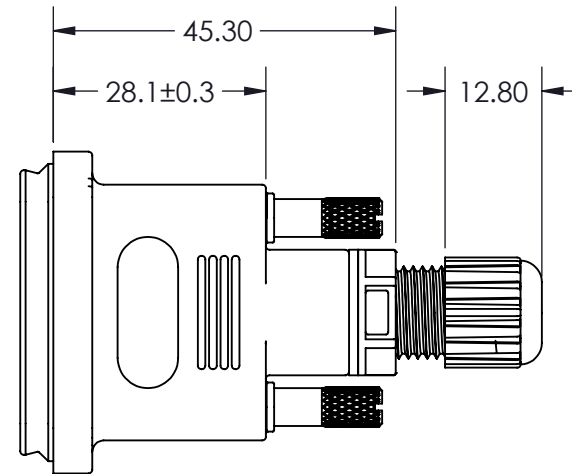
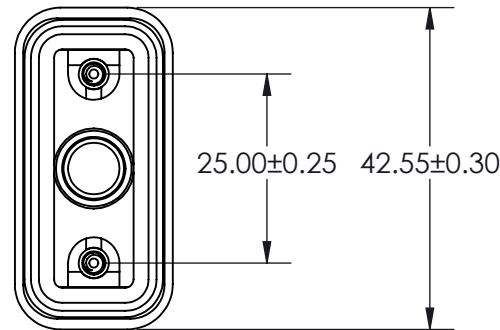
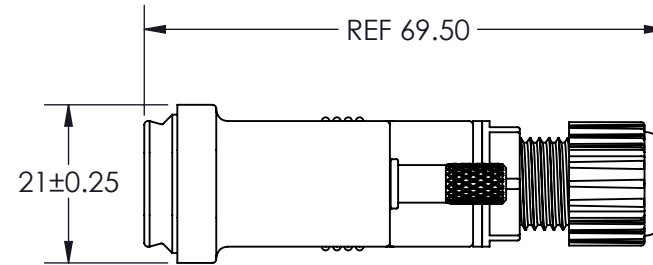
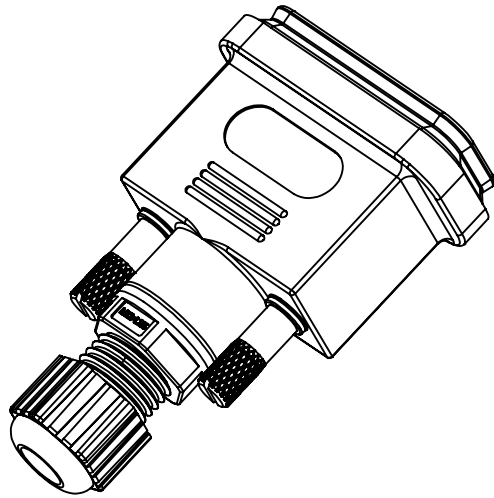


THIS IS A C.A.D. GENERATED DRAWING
DO NOT MAKE MANUAL REVISIONS TO MASTER.



ISSUE NUMBER

ORIGINAL ①




Materials and Finish

1. Housing: ABS, UL94V-0, Black
2. Gasket: Silicon, Black
3. O-Ring: Silicon, Black
4. Screw: Brass, Nickel Plated
5. Body Nut: ZYTEL, Black
6. Seal: Silicon, Black
7. Pressure Washer: Silicon, Black
8. Sealing Nut: ZYTEL, Black

DEGREE OF PROTECTION: IP67 AS PER IEC60529



THIS SERIES FULLY CONFORMS TO THE
EUROPEAN UNION DIRECTIVES 2002/95/EC
AND 2002/96/EC FOR RoHS COMPLIANCY.

Standard Density Waterproof D-Sub Connector BACKSHELL 627-230-009-010		ACAD REFERENCE NO. 627-230-009-010	
		DRAWN: R.STA.MONICA	DATE: June.4/13
 EDAC INC TORONTO, ONTARIO CANADA YOUR CONNECTION TO QUALITY & SERVICE		CHECKED:	DATE:
		SCALE: NTS	SHEET 1 OF 1
		DRAWING NUMBER 627-230-009-010	ISSUE 1

THESE DRAWINGS AND SPECIFICATIONS
ARE THE PROPERTY OF EDAC INC. AND
SHALL NOT BE REPRODUCED, OR COPIED
OR USED AS THE BASIS FOR THE
MANUFACTURE OR SALE OF APPARATUS
WITHOUT WRITTEN PERMISSION.