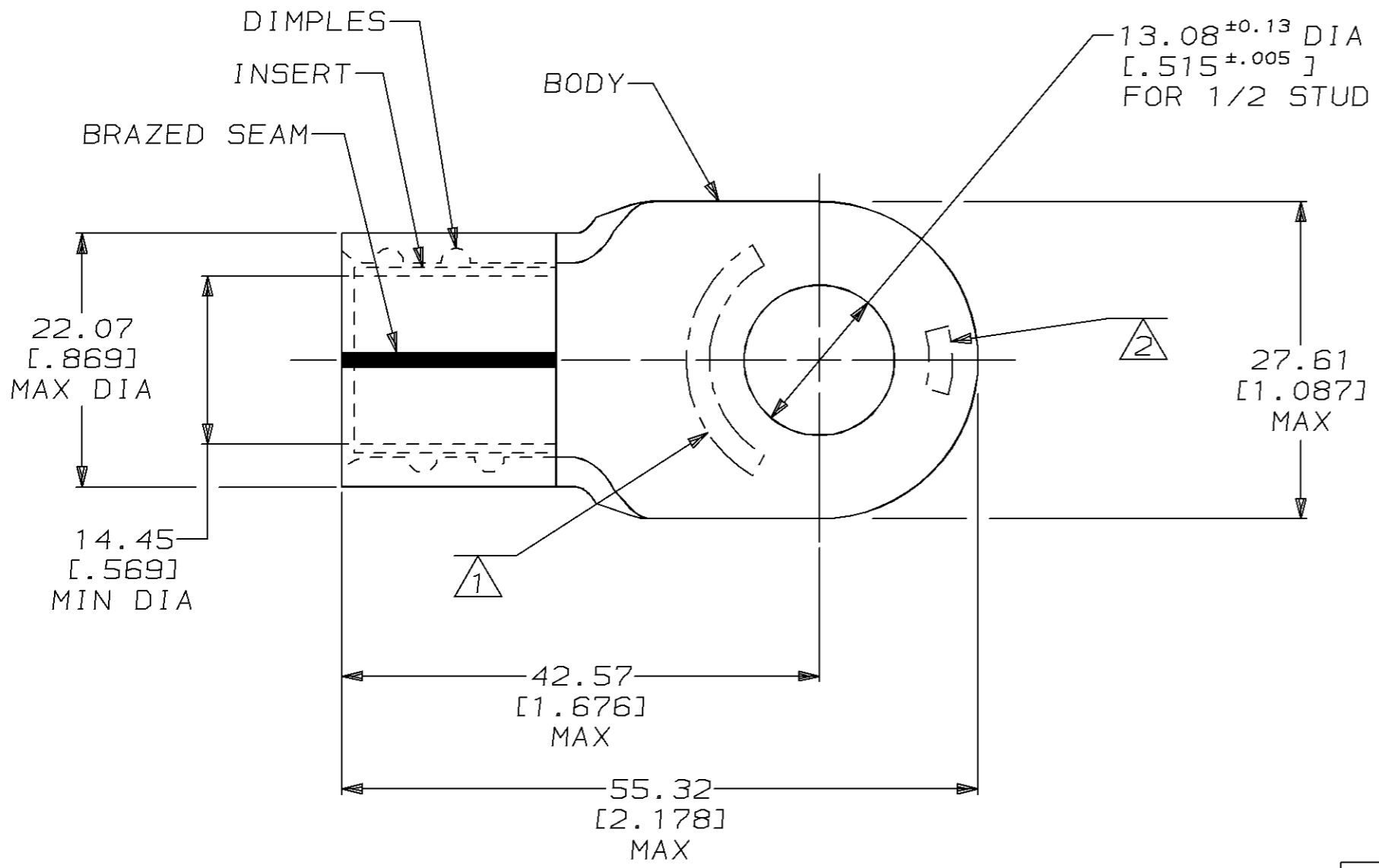


THIS DRAWING IS UNPUBLISHED. RELEASED FOR PUBLICATION, 19 .  
 © COPYRIGHT 19 BY AMP INCORPORATED. ALL INTERNATIONAL RIGHTS RESERVED.

LOC	DIST	P	F	ZONE	LTR	DESCRIPTION	DATE	APPD
G	86				J	REVISED PER 0L20-0012-96	04SEP96	OKS DMS

**METRIC**  
 DIMENSIONS LISTED IN mm [ INCHES ]



- 1 STAMP AMP 4/O APPROX AS SHOWN
- 2 STAMP AL90CU APPROX AS SHOWN
- 3 MATERIAL THK: 2.59±0.05 [.102±.002]

<b>BODY:</b> COPPER PER ASTM B-152 TIN PLATE 0.00254 [.000100] MIN PER MIL-T-10727	51995-2
<b>INSERT:</b> BRASS PER MIL-C-50 TIN PLATE 0.00254 [.000100] MIN PER MIL-T-10727	

<b>AMP INCORPORATED CUSTOMER SERVICE SYSTEMS</b>		MAX RECOMMENDED OPERATING TEMPERATURE: <b>150°C MAX</b>	DO NOT SCALE PRINT, UNLESS SPECIFIED <del>DIMENSIONS IN mm [INCHES]</del> TOLERANCES ON: 2 PLC DEC ± 0.20 [.008] 3 PLC DEC ± - ANGLES ± -	DR 2/4/94 DK SCHRUM	<b>AMP</b> AMP Incorporated Harrisburg, PA 17105-3608 NAME TERMINAL ASSEMBLY, RING TONGUE, STRANDED/SOLID, COPALUM™, WIRE SIZE: 4/O AWG SIZE <b>B</b> CAGE CODE 00779 DRAWING NO <b>C-51995</b> SCALE 2:1 SHEET 1 OF 1
FOR ADDITIONAL PRODUCT INFORMATION OR COPIES OF DRAWINGS AND TECHNICAL DOCUMENTS	PRODUCT INFORMATION CENTER 1-800-522-6752			VOLTAGE RATING: <b>NOT APPLICABLE</b>	
FOR APPLICATION TOOLING INFORMATION	TOOLING ASSISTANCE CENTER 1-800-722-1111	WIRE CROSS SECTIONAL AREA RANGE: 96.3-117.0mm² [190,000-231,100] CJR MILS SOLID OR STRANDED	APPD 2/10/94 RE ROSER		
FOR ORDER ENTRY	1-800-526-5142	THIS DRAWING IS A CONTROLLED DOCUMENT FOR AMP INCORPORATED. IT IS SUBJECT TO CHANGE AND THE CONTROLLING ENGINEERING ORGANIZATION SHOULD BE CONTACTED FOR THE LATEST REVISION.	APPD 2/10/94 JL MECKLEY		
			MATERIAL SEE TABLE	PRODUCT SPEC -	
			FINISH SEE TABLE	APPLICATION SPEC -	
			WEIGHT -		