

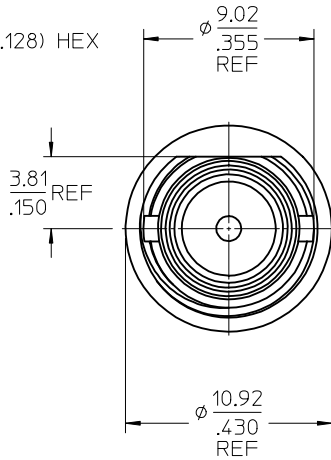
MATERIALS AND FINISHES

BODY, CRIMP TUBE, PRESS RING BRASS  
PLATED NICKEL

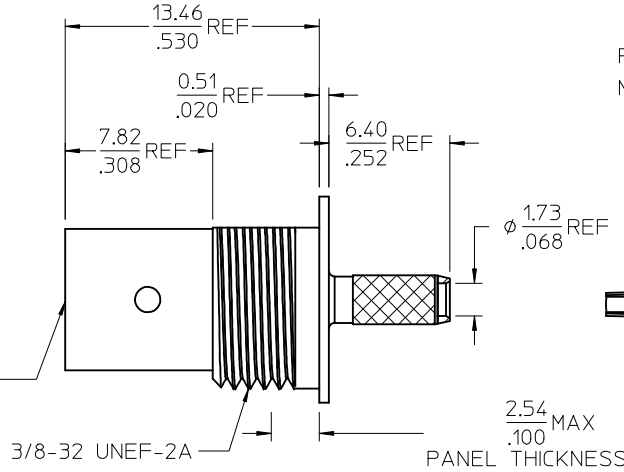
CENTER CONTACT PHOSPHOR BRONZE  
PLATED GOLD

INSULATOR TEFLON

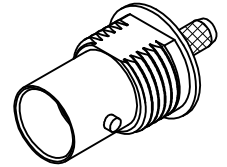
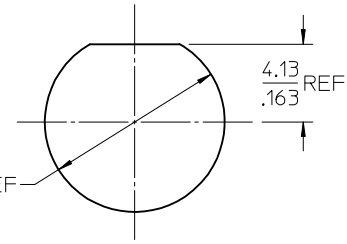
CRIMP DIE 3.25 (.128) HEX



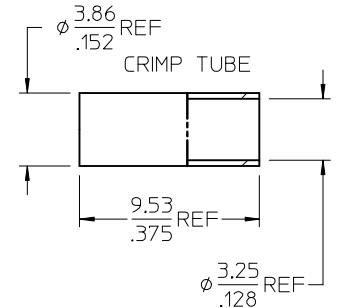
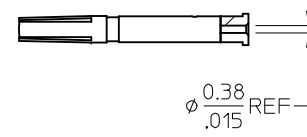
MINI BNC JACK  
INTERFACE



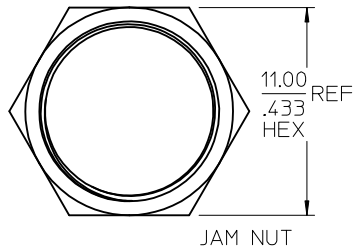
RECOMMENDED  
MOUNTING HOLE



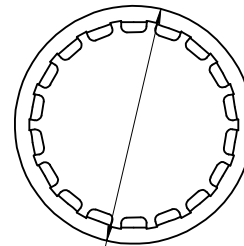
CONTACT



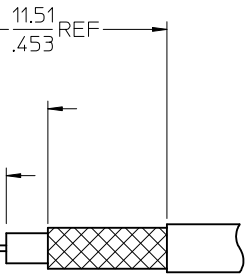
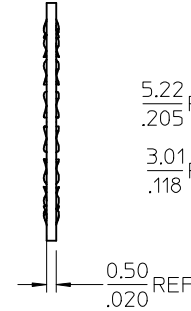
CRIMP TUBE



JAM NUT



LOCKWASHER



RECOMMENDED  
STRIP DIMENSIONS

73171-2632	73171-2631, ONE PER BAG
73171-2631	WITH JAM NUT & LOCKWASHER/TRAY
73171-2630	NO JAM NUT & LOCKWASHER/TRAY
PART NO.	DESCRIPTION/PACKAGING

CHG: -2630/31 PKG TRAY WAS BULK PER RF15-E237	EC NO: URF2015-0708	2015/06/15
	DRW: CME102	2015/06/15
CHKD:	APPR: YCHENG	2015/06/23
REV: A3	DESCRIPTION	

QUALITY SYMBOLS	▽=0
	▽=0
	▽=0

GENERAL TOLERANCES (UNLESS SPECIFIED)	mm	INCH
4 PLACES	± .005	± .0004
3 PLACES	± .004	± .0003
2 PLACES	± .003	± .0002
1 PLACE	± .002	± .0001
0 PLACE	± .001	± .0000
ANGULAR ± 2 °		
DRAFT WHERE APPLICABLE MUST REMAIN WITHIN DIMENSIONS		

DIMENSION STYLE		MM/IN
DRAWN BY	DATE	
JM	2005/05/04	
CHECKED BY	DATE	
JM	2005/05/04	
APPROVED BY	DATE	
JDW	2005/05/04	
MATERIAL NO.		
SEE TABLE		

SCALE	DESIGN UNITS	THIRD ANGLE PROJECTION
	METRIC	
TITLE		
MINI BNC JACK, BULKHEAD		
RG179, 75 OHMS		
EWR-2785, MINI BNC-JC		
<b>molex</b>		
DOCUMENT NO.	SHEET NO.	
SD-73171-263	1 OF 1	
THIS DRAWING CONTAINS INFORMATION THAT IS PROPRIETARY TO MOLEX INCORPORATED AND SHOULD NOT BE USED WITHOUT WRITTEN PERMISSION		