

SECTION Y-Y  
(SCALE 20-1)

SECTION Z-Z  
(SCALE 20-1)

NOTES

- 適合ハウジング: 502578-\*\*\*\*, 503149-\*\*\*\*  
APPLICABLE HOUSING: 502578-\*\*\*\*, 503149-\*\*\*\*
- 図示の斜線部の範囲は、接点部のため、傷、打痕、汚れなどを付けないようにして下さい。  
PLEASE DON'T DAMAGE, DON'T DENT, AND DON'T MAKE IT DIRTY. BECAUSE THE RANGE IN THE SHADED PORTION SHOWN IN FIGURE IS THE CONTACT AREA.
- トレードマーク: MX プラス1文字の製造工場を示すアルファベットにて表示。但し「J」は JAPAN を示す。(例 MXJ)  
FORMED BY MX AND 1 MORE LETTER OF ALPHABET WHICH MEAN THE MANUFACTORY. BUT "J" MEANS JAPAN. (TO TRADE MARK) (e.g. MXJ)
- ELV 及び RoHS 適合品  
ELV AND RoHS COMPLIANT

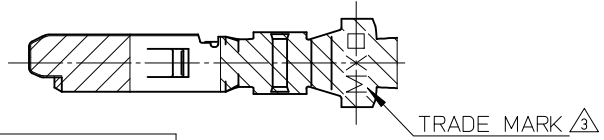
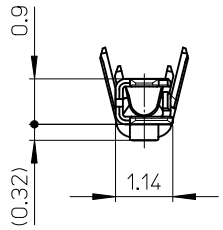
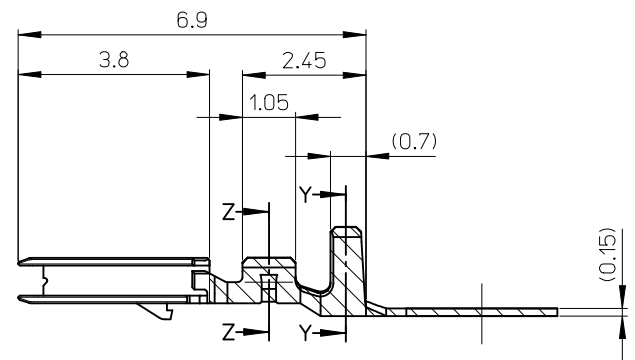
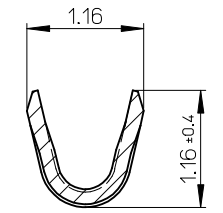
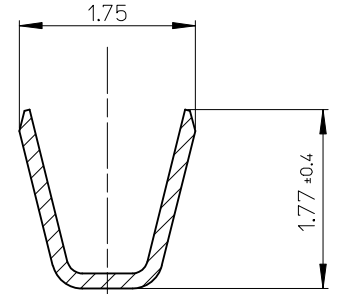
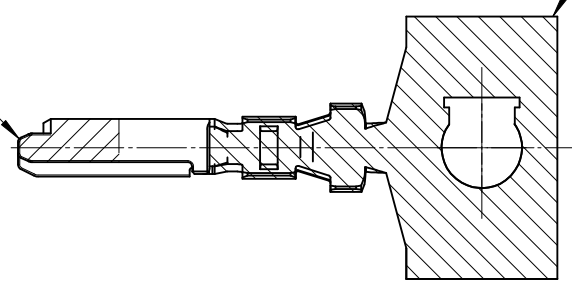
φ0.7-1.02mm	AWG#26-30	503429-0000	連鎖状 CHAIN
絶縁被覆外径範囲 INS. RANGE	適用電線範囲 WIRE RANGE	製品番号 MATERIAL NO.	端子形状 FORM

REVISED EC NO: J2009-2054 2009/03/09 DRWN: YGOTO 2009/03/10 CHKD: KASAKAWA 2009/03/10 APPR: SICHIKAWA 2009/03/10	DESCRIPTION A	GENERAL TOLERANCES (UNLESS SPECIFIED)		DIMENSION STYLE MM ONLY		SCALE 10:1		DESIGN UNITS METRIC		THIRD ANGLE PROJECTION		
		10 UNDER	±0.2	DRAWN BY YGOTO	DATE 2009/2/20	TITLE 1.5W/B CONN PLUG TERMINAL						
		10 OVER 30 UNDER	±0.25	CHECKED BY KASAKAWA	DATE 2009/2/20	MOLEX INCORPORATED						
		30 OVER	±0.3	APPROVED BY SICHIKAWA	DATE 2009/2/20	ENTER PART		SD-503429-001		SHEET NO. 1 OF 1		
ANGULAR ±3 °		DRAFT WHERE APPLICABLE MUST REMAIN WITHIN DIMENSIONS		MATERIAL NO.		DOCUMENT NO.		THIS DRAWING CONTAINS INFORMATION THAT IS PROPRIETARY TO MOLEX INCORPORATED AND SHOULD NOT BE USED WITHOUT WRITTEN PERMISSION				

部品 PART	材質 MATERIAL
ターミナル TERMINAL	銅合金 COPPER ALLOY
	錫めっき: 0.4 micro-meter MIN. リフロー処理 (前めっき) REFLOW TREATMENT (PRE-PLATED)
	ニッケルめっき (下地): 0.1 micro-meter MIN. リフロー処理 (前めっき) REFLOW TREATMENT (PRE-PLATED)

△ Au PLATING AREA

Sn PLATING AREA



NOTES

- 適合ハウジング: 502578\*\*\*\*, 503149\*\*\*\*  
APPLICABLE HOUSING: 502578\*\*\*\*, 503149\*\*\*\*
- 図示の斜線部の範囲は、接点部のため、傷、打痕、汚れなどを付けないようにして下さい。  
PLEASE DON'T DAMAGE, DON'T DENT, AND DON'T MAKE IT DIRTY. BECAUSE THE RANGE IN THE SHADED PORTION SHOWN IN FIGURE IS THE CONTACT AREA.
- トレードマーク: MX プラス1文字の製造工場を示すアルファベットにて表示。但し「J」は JAPAN を示す。(例 MXJ)  
FORMED BY MX AND 1 MORE LETTER OF ALPHABET WHICH MEAN THE MANUFACTORY. BUT "J" MEANS JAPAN. (TO TRADE MARK) (e.g. MXJ)
- ELV 及び RoHS 適合品  
ELV AND RoHS COMPLIANT

部品 PART	材質 MATERIAL 5034291***
銅合金 COPPER ALLOY	
コンタクト部 CONTACT POS.	金めっき: 0.2 micro-meter MIN. GOLD リフロー処理 (前めっき) REFLOW TREATMENT (PRE-PLATED)
バレル部 BARREL POS.	錫めっき: 1.0 micro-meter MIN. TIN リフロー処理 (前めっき) REFLOW TREATMENT (PRE-PLATED)
ターミナル TERMINAL	ニッケルめっき(下地): 0.1 micro-meter MIN. NICKEL (UNDER PLATING) リフロー処理 (前めっき) REFLOW TREATMENT (PRE-PLATED)

RELEASED EC NO: J2015-0528 DRWN: TAKAIKE 2014/10/24 CHKD: KASAKAWA 2015/02/16 APPR: NUKITA 2015/02/16	GENERAL TOLERANCES (UNLESS SPECIFIED)		DIMENSION STYLE	
	0.25 UNDER	UNDER	± 0.03	MM ONLY
	0.25 OVER	0.5 UNDER	± 0.05	DRAWN BY TAKAIKE
	0.5 OVER	1.0 UNDER	± 0.1	DATE 2014/10/24
	1.0 OVER	30 UNDER	± 0.2	CHECKED BY KASAKAWA
30 OVER		± 0.25	DATE 2015/02/16	
ANGULAR	± 3 °		APPROVED BY NUKITA	
			DATE 2015/02/16	
A	DRAFT WHERE APPLICABLE MUST REMAIN WITHIN DIMENSIONS		MATERIAL NO.	TITLE

φ0.7-1.02mm	AWG#26-30	5034291100	バラ状 LOOSE
		5034291000	連鎖状 CHAIN
絶縁被覆外径範囲 INS. RANGE	適用電線範囲 WIRE RANGE	製品番号 MATERIAL NO.	端子形状 FORM
SCALE 10:1	DESIGN UNITS METRIC	THIRD ANGLE PROJECTION	
1.5W/B CONN PLUG TERMINAL			
<b>molex</b>		DOCUMENT NO.	SHEET NO.
SEE TABLE		SD-503429-002	1 OF 1
THIS DRAWING CONTAINS INFORMATION THAT IS PROPRIETARY TO MOLEX INCORPORATED AND SHOULD NOT BE USED WITHOUT WRITTEN PERMISSION			