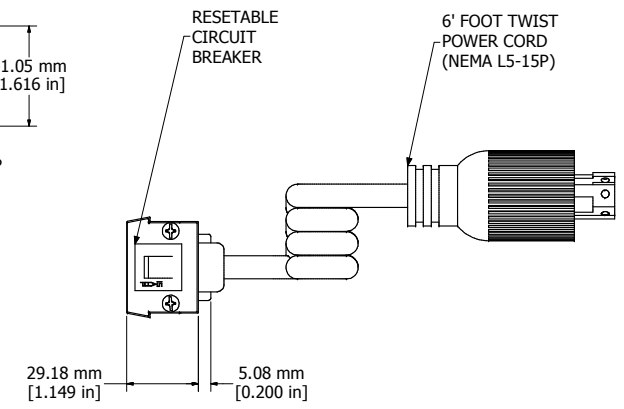
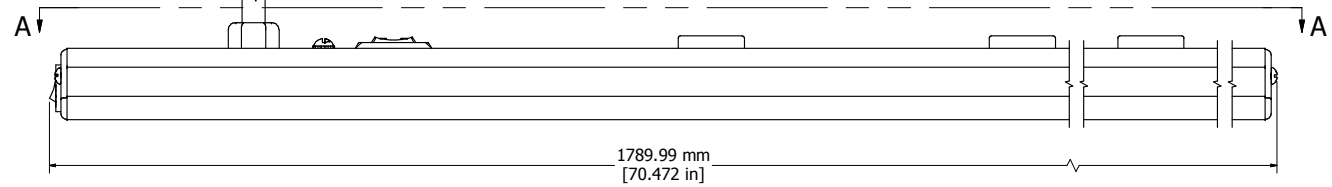


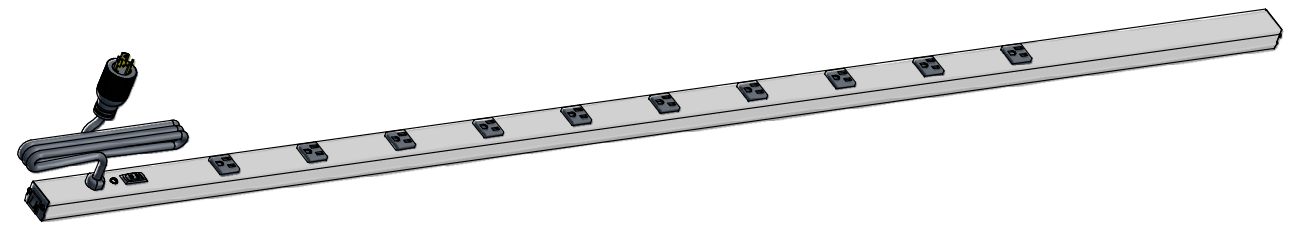
SECTION A-A
(VIEW FROM FRONT)



ASSEMBLY - VIEW FROM END



ASSEMBLY - VIEW FROM SIDE



ISOMETRIC VIEW

1587H10C1	
Finish - Case - Anodized Aluminum Extrusion	
Ends - ABS Plastic	
Rated - 125 VAC, 60 Hz, 15 Amps	
Approvals - CSA Certified Standards C22.2 (No. 21-95, 42-99)	
- UL Listed Standard UL1363	
Cord Length	
1587H10C1 - 6' Foot Twist Power Cord (NEMA L5-15P)	
1587H10D1 - 15' Foot Twist Power Cord (NEMA L5-15P)	
Accessories Included	
Mounting Bracket Kit with Hardware	

HAMMOND MANUFACTURING™

1587H10C1

www.hammondmfg.com