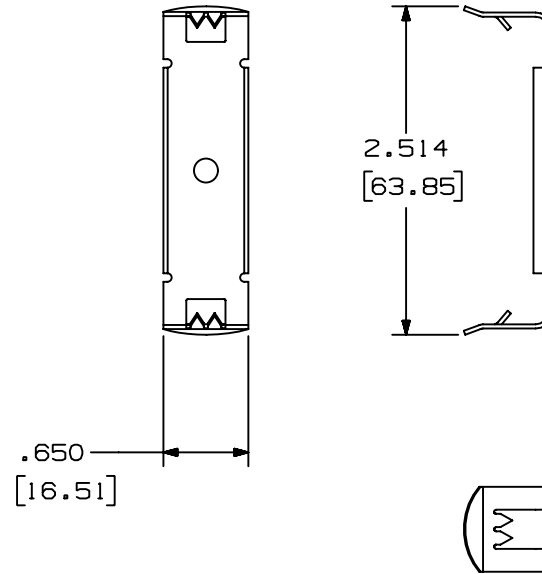



THIS COPY IS PROVIDED ON A RESTRICTED BASIS AND IS NOT TO BE USED IN ANY WAY DETRIMENTAL TO THE INTERESTS OF PANDUIT CORP.



NOTE.
 1. ALL DIMENSIONS ARE REFERENCE ONLY.
 2. DIMENSIONS IN PARENTHESES ARE METRIC.

				CAD FILENAME/LAYERS S2F (36897-858)_01.prt			
				PANDUIT CORP. TINLEY PARK, ILLINOIS			
				WIRING DUCT - TYPE F DUCT SNAP CLIP (S2F) MARKETING DRAWING			
1	6-16-05	JCST	MKBE	B. ADDED NOTES A. CHANGED MATERIAL	DRAWN BY JHNU	MAT'L: 	SCALE FULL
R	8-28-03	JHNU	JGG	DRAWING RELEASED	DATE 8-28-03	#21 Gage C.R.S.	DRAWING NO. 36897-858
REV	DATE	BY	CHK	DESCRIPTION	CHK'D JGG		DWG SIZE A