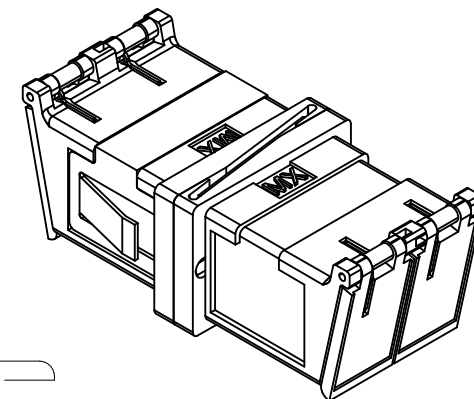
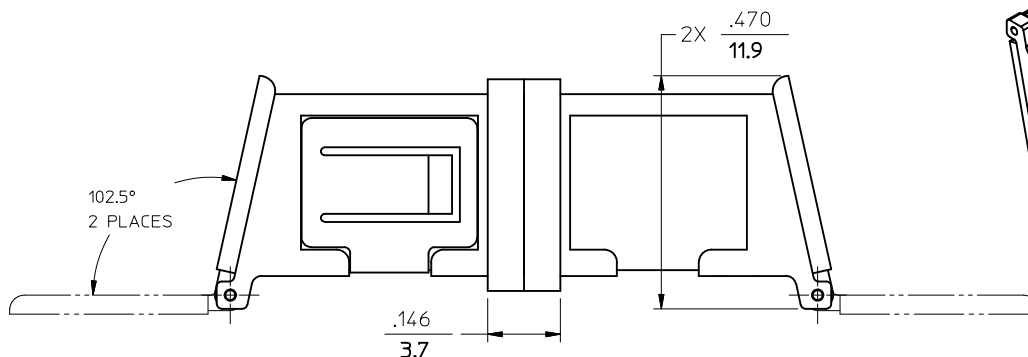
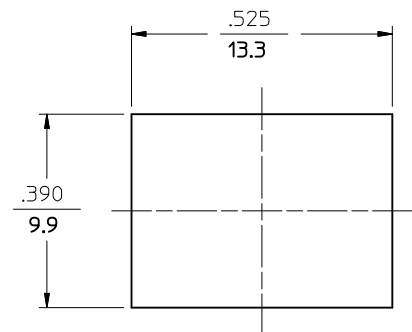
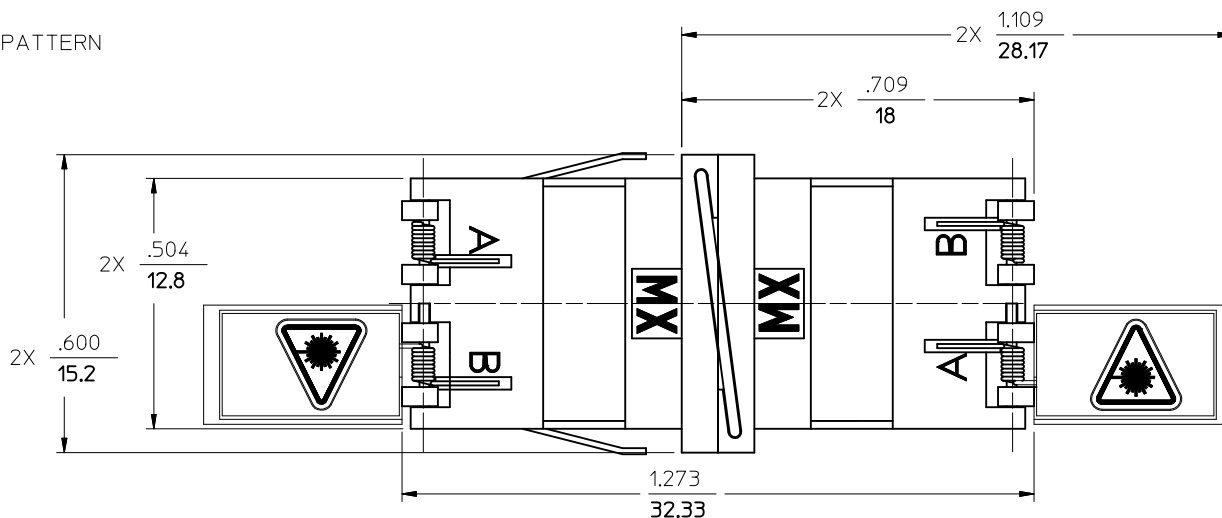
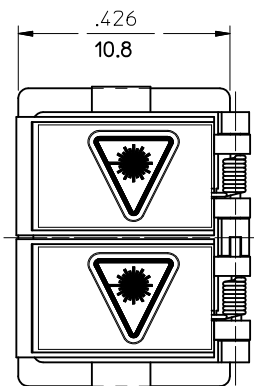


10	9
LC ADAPTER ASSY. P/N	LC SLEEVE MATERIAL
106128-0690	Ph. BRONZE
106128-1690	ZR



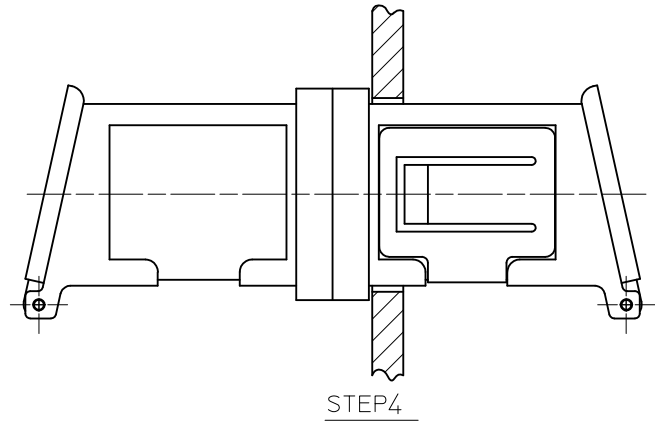
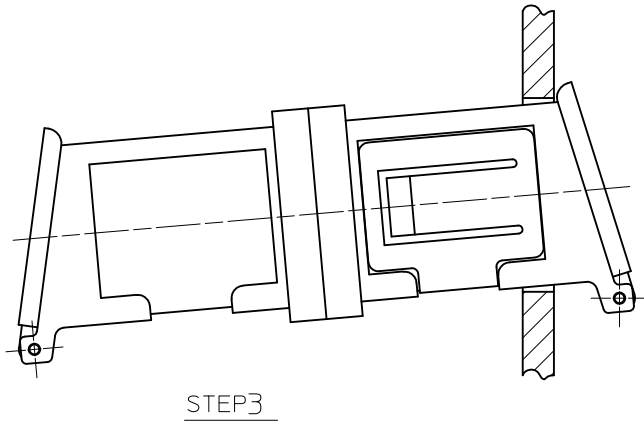
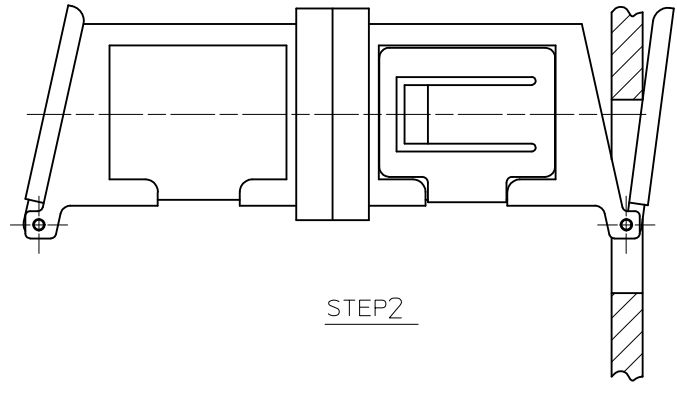
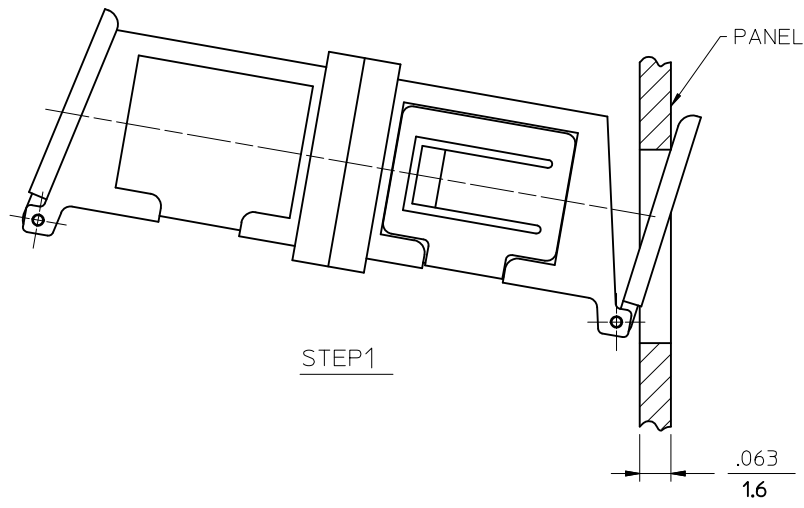
RECOMMENDED MOUNTING PATTERN
FOR $\frac{.063}{1.6}$ THICK PANEL



- NOTES:
1. ALL DIMENSIONS ARE FOR REFERENCE ONLY.
 2. USER ASSEMBLES LABELS.
 3. ADAPTERS TO BE PACKAGED IN TRAY

ENTER DESCRIPTION EC NO: MF2010-0240 DRW: MKPEVZNER 2009/12/04 CHKD: 2009/12/04 APPR: LGUMIN 2009/12/07	QUALITY SYMBOLS = 0 = 0	GENERAL TOLERANCES (UNLESS SPECIFIED) <table border="1"> <tr> <th></th> <th>mm</th> <th>INCH</th> </tr> <tr> <td>4 PLACES</td> <td>± .005</td> <td>± .0002</td> </tr> <tr> <td>3 PLACES</td> <td>± .004</td> <td>± .00015</td> </tr> <tr> <td>2 PLACES</td> <td>± .003</td> <td>± .0001</td> </tr> <tr> <td>1 PLACE</td> <td>± .002</td> <td>± .000075</td> </tr> </table>		mm	INCH	4 PLACES	± .005	± .0002	3 PLACES	± .004	± .00015	2 PLACES	± .003	± .0001	1 PLACE	± .002	± .000075	DIMENSION STYLE IN/MM	SCALE 4:1	DESIGN UNITS INCH	THIRD ANGLE PROJECTION
		mm	INCH																		
	4 PLACES	± .005	± .0002																		
	3 PLACES	± .004	± .00015																		
2 PLACES	± .003	± .0001																			
1 PLACE	± .002	± .000075																			
APPROVED BY DATE	DRAWN BY PGIBLIN	DATE 2005/10/05	TITLE LC DUPLEX ADAPTER																		
MATERIAL NO. SEE TABLE	MOLEX INCORPORATED				DOCUMENT NO. SD-106128-X690	SHEET NO. 1 OF 02															
SIZE B	DRAFT WHERE APPLICABLE MUST REMAIN WITHIN DIMENSIONS																				

10 9 8 7 6 5 4 3 2 1



ENTER DESCRIPTION EC NO: MF2010-0240 DRAWN: KPEVZNER CHKD: KPEVZNER APPR: IGUMIN DATE: 2009/12/04 DATE: 2009/12/04 DATE: 2009/12/07 DATE: 2009/12/07 A3 REV	QUALITY SYMBOLS ▼=0 ▽=0	GENERAL TOLERANCES (UNLESS SPECIFIED) <table border="1"> <thead> <tr> <th></th> <th>mm</th> <th>INCH</th> </tr> </thead> <tbody> <tr> <td>4 PLACES</td> <td>±---</td> <td>±---</td> </tr> <tr> <td>3 PLACES</td> <td>±---</td> <td>±---</td> </tr> <tr> <td>2 PLACES</td> <td>±---</td> <td>±---</td> </tr> <tr> <td>1 PLACE</td> <td>±---</td> <td>±---</td> </tr> </tbody> </table>		mm	INCH	4 PLACES	±---	±---	3 PLACES	±---	±---	2 PLACES	±---	±---	1 PLACE	±---	±---	DIMENSION STYLE IN/MM DRAWN BY: PGIBLIN DATE: 2005/10/05 CHECKED BY: _____ DATE: _____ APPROVED BY: _____ DATE: _____	SCALE: 4:1 DESIGN UNITS: INCH THIRD ANGLE PROJECTION	TITLE: LC DUPLEX ADAPTER Molex MOLEX INCORPORATED MATERIAL NO. 1061280690 DOCUMENT NO. SD-106128-X690 SHEET NO. 2 OF 02
		mm	INCH																	
	4 PLACES	±---	±---																	
	3 PLACES	±---	±---																	
2 PLACES	±---	±---																		
1 PLACE	±---	±---																		
DRAFT WHERE APPLICABLE MUST REMAIN WITHIN DIMENSIONS		ANGULAR ±1/2°		THIS DRAWING CONTAINS INFORMATION THAT IS PROPRIETARY TO MOLEX INCORPORATED AND SHOULD NOT BE USED WITHOUT WRITTEN PERMISSION																

9 8 7 6 5 4 3 2 1