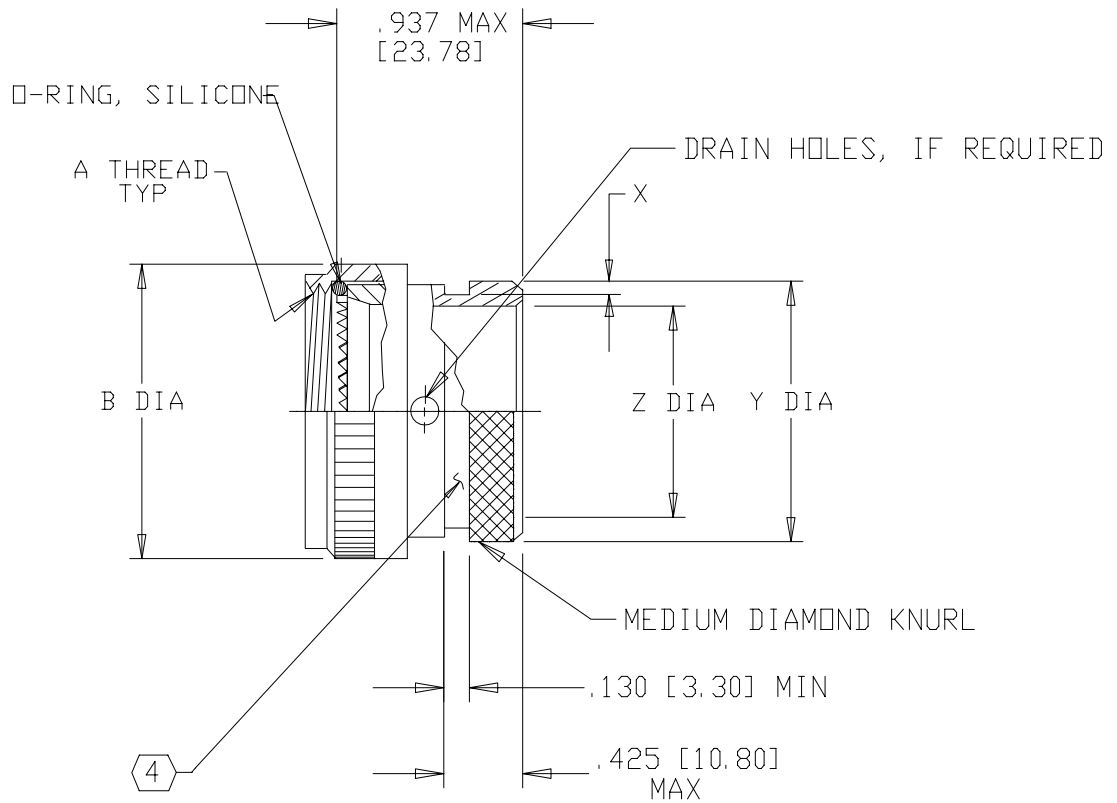


REVISIONS			
LTR	DESCRIPTION	DATE	APPROVED
M	REVISED PER ECN AD93016		



NOTES:

- THIS PRODUCT IS DESIGNED TO TERMINATE A HEAT SHRINKABLE LIPPED BOOT TO A CONNECTOR.
- FOR ADDITIONAL DIMENSIONS, ORDERING INFORMATION AND MODIFICATIONS, SEE CH00-0250-004.
- ADAPTER TO BE PERMANENTLY MARKED WITH CODE IDENT. NO. AND PART NO. (E.G.: 06090-202M212-19B).
- KNURL INSIDE BOOT GROOVE MAY BE SUPPLIED AT MANUFACTURE'S OPTION.
- ADAPTER MATES TO MIL-C-38999 SERIES I & II, CLASS E & T, MS27466, MS27467, MS27468, MS27472, MS27473, MS27474, MS27479, MS27480, MS27481, MS27484, MS27497, MS27652, MS27653, MS27656 CONNECTORS.

If this document is printed it becomes uncontrolled.
Check for the latest revision.

SPECIFICATION CONTROL DRAWING

UNLESS OTHERWISE SPECIFIED DIMENSIONS ARE IN INCHES. METRIC DIMENSIONS ARE IN BRACKETS. DECIMALS .XXX ± — [mm] .XX ± — [mm] .X ± — [mm] ANGLES .X ± —	DRAWN R. RAMIREZ	DATE 03-19-93		Tyco Electronics Corporation 300 Constitution Drive Menlo Park, CA. 94025 U.S.A.		
	CHECKED	DATE				TITLE
	APPROVED	DATE	ADAPTER, SPIN COUPLING CODE 41			
	APPROVED	DATE				
	CAD NAME	\ACAD12\202M2XX				
THIRD ANGLE PROJECTION 	SIZE A	CODE IDENT. NO. 06090	DWG. NO. 202M2XX	REV M	DO NOT SCALE THIS DWG	SHEET 1 OF 2

BASE PART NUMBER	SHELL SIZE ⑤		A THREAD CLASS 2B	B DIA MAX	X MIN	Y +.000 -.030 [+0.00] [-0.76] DIA	Z MIN
	SER 1	SER 2					
202M208	9	8	.438-28 UNEF	.750 [19.1]	.044 [1.12]	.533 [13.54]	.250 [6.35]
202M210	11	10	.562-24 UNEF	.850 [21.6]	↑	.605 [15.37]	.375 [9.53]
202M212	13	12	.688-24 UNEF	1.000 [25.4]		.774 [19.66]	.500 [12.70]
202M214	15	14	.812-20 UNEF	1.100 [27.9]		.838 [21.29]	.625 [15.88]
202M216	17	16	.938-20 UNEF	1.250 [31.8]	↓	.963 [24.46]	.750 [19.05]
202M218	19	18	1.062-18 UNEF	1.400 [35.6]	.044 [1.12]	1.042 [26.47]	.812 [20.62]
202M220	21	20	1.188-18 UNEF	1.500 [38.1]	.069 [1.75]	1.217 [30.91]	.937 [23.80]
202M222	23	22	1.312-18 UNEF	1.650 [41.9]	.069 [1.75]	1.355 [34.42]	1.062 [26.97]
202M224	25	24	1.438-18 UNEF	1.750 [44.5]	.069 [1.75]	1.443 [36.65]	1.188 [30.18]

If this document is printed it becomes uncontrolled.
Check for the latest revision.

SIZE A	CODE IDENT. NO. 06090	DWG. NO. 202M2XX	REV M
DO NOT SCALE THIS DWG		CAD NAME \ACAD12\202M2X-2	SHEET 2 OF 2