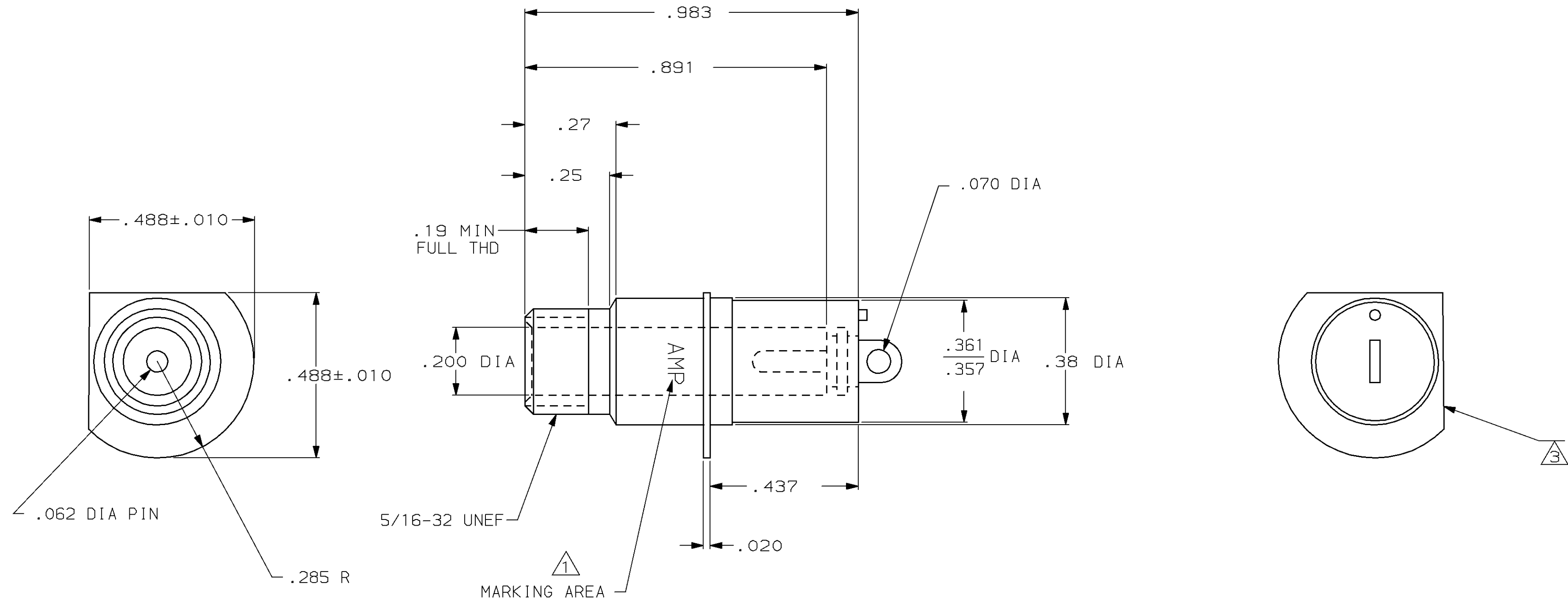


THIS DRAWING IS UNPUBLISHED. RELEASED FOR PUBLICATION ,19 .
 © COPYRIGHT 19 BY AMP INCORPORATED, HARRISBURG, PA. ALL INTERNATIONAL RIGHTS RESERVED. AMP PRODUCTS MAY BE COVERED BY U.S. AND FOREIGN PATENTS AND/OR PATENTS PENDING.

LOC		DIST		P		F		REVISIONS		DATE	APPROVED
DF	SO			ZONE	LTR	DESCRIPTION					
					A	REV PER 0600-6064-96 CT		3-97	SG		



- 1 MARKED PER MIL-STD-130.
- 2. THIS RECEPTACLE IS HERMETICALLY SEALED.
- 3 EYELET PORTION OF PIN AND FLATS ON FLANGE TO BE ORIENTED AS SHOWN.

868698-1
PART NO

UNLESS OTHERWISE SPECIFIED DIMENSIONS ARE IN INCHES TOLERANCES ON :		DR 2-5-86 R. HEPNER		AMP INCORPORATED Harrisburg, Pa. 17105	
2 PL DEC $\pm .01$ 3 PL DEC $\pm .005$ ANGLES $\pm -$		CHK 2-5-86 M. GARDNER			
MATERIAL		APPD 2-5-86 M. GARDNER		NAME RECEPTACLE, LGH 1/2L	
-		APPD 2-5-86 R. HEPNER			
FINISH		PRODUCT SPEC		SIZE	FSCM NO
-		APPLICATION SPEC		C	00779
WEIGHT		-		DRAWING NO	
-		-		868698	
		SCALE 4:1		SHEET 1 OF 1	