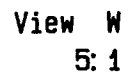
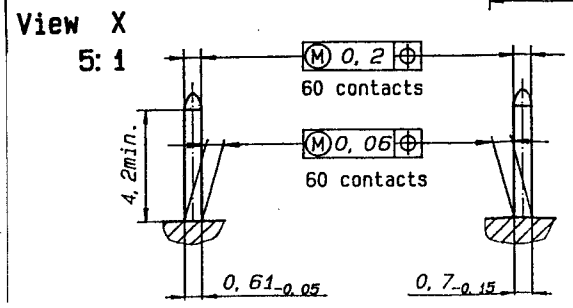
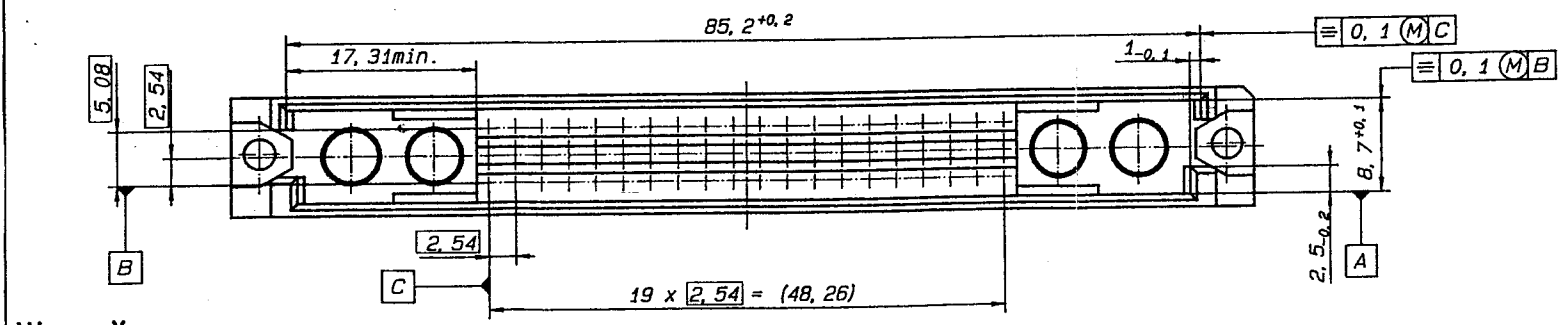
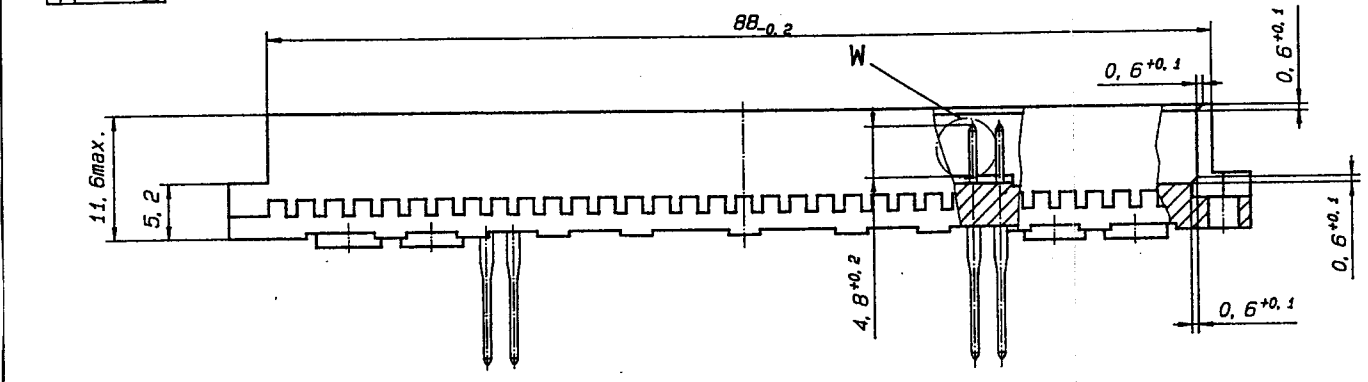
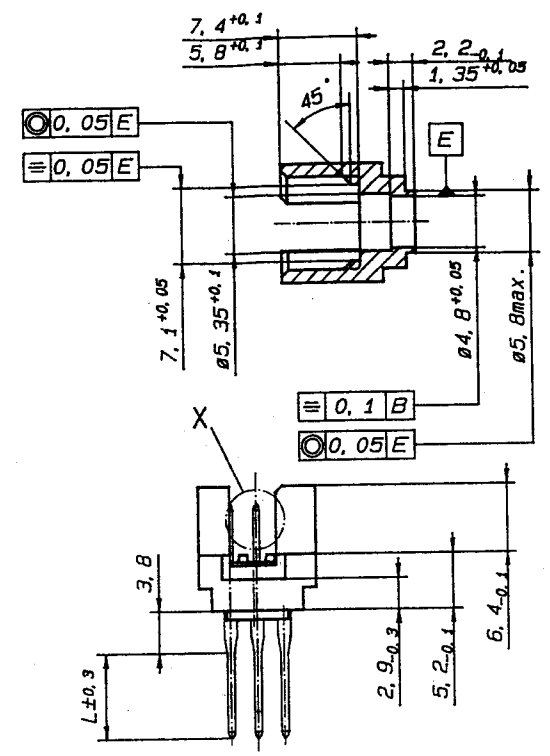
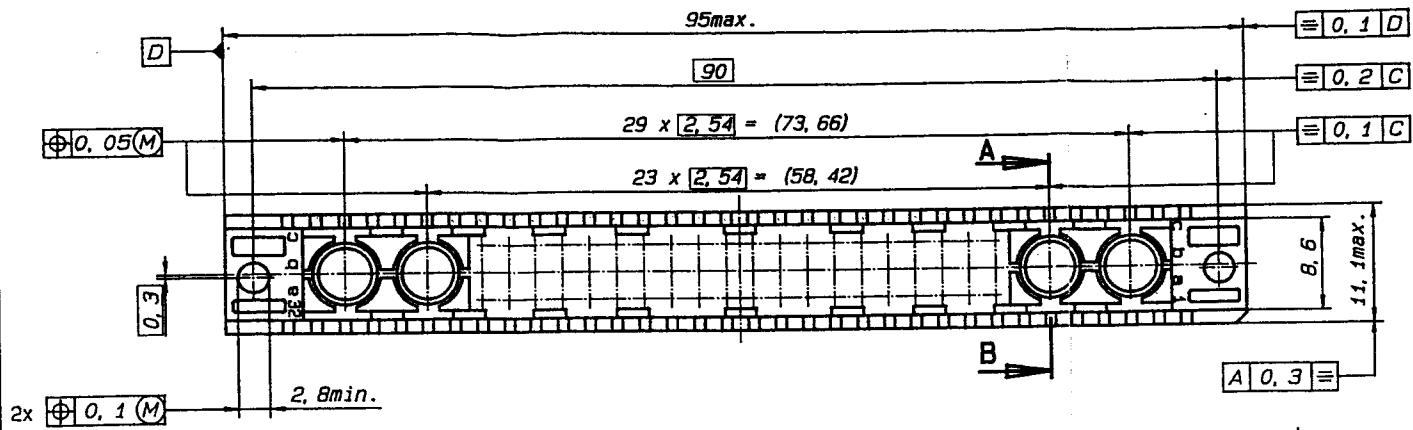




Section A-B  
(without contacts)



NO RELEASE  
REFERENCE  
USE ONLY

RoHS COMPLIANT

EC NO: 12006-0679 DRAWN BY: SHANKAR CHECKED BY: CHIKO.SSUDHIR APPROVED BY: APPR.SSUDHIR	QUALITY SYMBOLS	GENERAL TOLERANCES (UNLESS SPECIFIED)	DIMENSION STYLE	SCALE	DESIGN UNITS	THIRD ANGLE PROJECTION
	$\nabla \rightarrow 0$ $\nabla \rightarrow 0$	mm INCH 4 PLACES $\pm$ 3 PLACES $\pm 0,05$ 2 PLACES $\pm 0,1$ 1 PLACE $\pm 0,15$ ANGULAR $\pm 2^\circ$	MM ONLY	NTS	METRIC	<input checked="" type="checkbox"/> THIRD ANGLE PROJECTION
			DRAWN BY: SHANKAR DATE: 2006/06/06	TITLE: ASSY DIN 41612.STYLE M INVERTED, 60 POS MALE C-PIN, CONNECTOR		
			CHECKED BY: SSUDHIR DATE: 2006/06/06	APPROVED BY: SSUDHIR DATE: 2006/06/06		
			MATERIAL NO. SEE SHEET 2 SD-85017-003			
			DRAFT WHERE APPLICABLE MUST REMAIN WITHIN DIMENSIONS			
			THIS DRAWING CONTAINS INFORMATION THAT IS PROPRIETARY TO MOLEX INCORPORATED AND SHOULD NOT BE USED WITHOUT WRITTEN PERMISSION			
			MOLEX MOLEX INCORPORATED			
			DOCUMENT NO. SHEET NO. 1 OF 3			

60P-6093-0731-9	85017-0282	no	2	----- 2	1, 2, 3...20	a+b+c
60P-6093-0731-7	85017-0294	no	2	Wire wrap 13, 3	1, 2, 3...20	a+b+c
60P-6093-0731-6	85017-0268	no	2	Wire wrap 16, 4	1, 2, 3...20	a+b+c
60P-6093-072V-9	85017-0115	yes	2	----- 2	1, 2, 3...20	a+b+c
60P-6093-072V-8	85017-0103	yes	2	Wire wrap 9, 4	1, 2, 3...20	a+b+c
60P-6093-072V-7	85017-0098	yes	2	Wire wrap 13, 3	1, 2, 3...20	a+b+c
60P-6093-072V-6	85017-0086	yes	2	Wire wrap 16, 4	1, 2, 3...20	a+b+c
60P-6093-0722-9	85017-0024	no	1	----- 2	1, 2, 3...20	a+b+c
Engineering number	Ordering code	Molex std.	Perform. level hard gold acc. MIL-G45204	Termination / L	Contact sequence / row	

RoHS COMPLIANT



EC NO: 12006-0679 DRW: SHANKAR 2006/06/06 CHKD: SSUDHIR 2006/06/06 APPR: SSUDHIR 2006/06/06 A	QUALITY SYMBOLS	GENERAL TOLERANCES (UNLESS SPECIFIED)	DIMENSION STYLE <b>MM ONLY</b>	SCALE NTS	DESIGN UNITS METRIC	<input checked="" type="checkbox"/> THIRD ANGLE PROJECTION	
	▼-0 ▽-0	4 PLACES ± 3 PLACES ± 2 PLACES ± 1 PLACE ±	mm    INCH ±       ± ±       ± ±       ± ±       ±	DRAWN BY SHANKAR    2006/06/06	DATE 2006/06/06	TITLE <b>ASSY DIN 41612 STYLE M          INVERTED, 60 POS MALE          C-PIN, CONNECTOR</b>	
		ANGULAR ± °		CHECKED BY SSUDHIR    2006/06/06	DATE 2006/06/06	Molex <b>MOLEX INCORPORATED</b>	
		DRAFT WHERE APPLICABLE MUST REMAIN WITHIN DIMENSIONS		APPROVED BY SSUDHIR    2006/06/06	DATE 2006/06/06	MATERIAL NO. <b>SEE CHART</b>	DOCUMENT NO. <b>SD-85017-003</b>
			SIZE <b>A</b>		THIS DRAWING CONTAINS INFORMATION THAT IS PROPRIETARY TO MOLEX INCORPORATED AND SHOULD NOT BE USED WITHOUT WRITTEN PERMISSION		

SHEET NO. 2 OF 3

1. General : Technical Data .....  
60pos. Male connector acc.DIN 41612 style M inverted  
(C-Pin)
2. Material :
  - 2.1 Moulding material : Thermoplastic Polyester GV30 grey RAL 7032
    - 2.1.1 Moulding material  
burning properties acc. to UL94 V0
    - 2.1.2 Resistance against  
solvents : good
  - 2.2 Pin contact : CuSn
    - 2.2.1 Contact plating : Performance level I or II (Test acc.DIN 41612 part.5)
3. Printing : Part.No., date of manufacturing



RoHS COMPLIANT

EC NO: 12006-0679 DRAWN BY: SHANKAR CHECKED BY: SSUDHIR APPROVED BY: SSUDHIR	DESCRIPTION	QUALITY SYMBOLS ▽=0 ▽-0	GENERAL TOLERANCES (UNLESS SPECIFIED)		DIMENSION STYLE MM ONLY	SCALE NTS	DESIGN UNITS METRIC	THIRD ANGLE PROJECTION
			m/m	INCH				
			4 PLACES ±	±	DRAWN BY: SHANKAR	DATE: 2006/06/06	TITLE: ASSY DIN 41612 STYLE M INVERTED, 60 POS MALE C-PIN, CONNECTOR	
			3 PLACES ±	±	CHECKED BY: SSUDHIR	DATE: 2006/06/06		
			2 PLACES ±	±	APPROVED BY: SSUDHIR	DATE: 2006/06/06		
			1 PLACE ±	±	MATERIAL NO. SD-85017-003			
			ANGULAR ± °		DOCUMENT NO. SD-85017-003		SHEET NO. 3 OF 3	
			DRAFT WHERE APPLICABLE MUST REMAIN WITHIN DIMENSIONS		SEE SHEET 2		THIS DRAWING CONTAINS INFORMATION THAT IS PROPRIETARY TO MOLEX INCORPORATED AND SHOULD NOT BE USED WITHOUT WRITTEN PERMISSION	