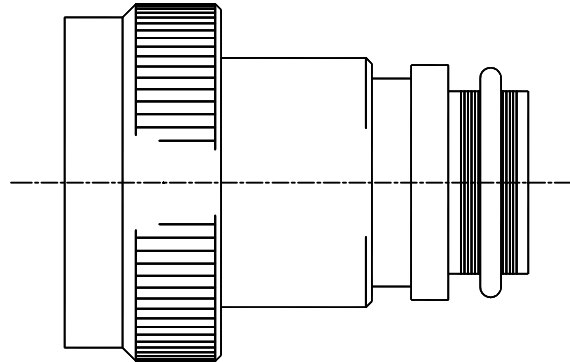


THIS DRAWING AND THE INFORMATION SET FORTH HERE-
ON ARE THE PROPERTY OF TYCO ELECTRONICS
AND ARE TO BE HELD IN TRUST AND CONFIDENCE. PUB-
LICATION, DUPLICATION, DISCLOSURE, OR USE FOR ANY
PURPOSE NOT EXPRESSLY AUTHORIZED IN WRITING BY
TYCO ELECTRONICS IS PROHIBITED.

REVISIONS			
LTR	DESCRIPTION	DATE	APPROVED
B	INITIAL RELEASE PER ECO-13-002859	02/18/13	IMYONG



CODE 66 TINEL-LOCK ADAPTER

NOTES:


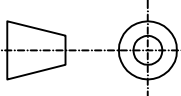
1. THIS PRODUCT IS DESIGNED TO TERMINATE A BRAIDED CABLE SHIELD AND A HEAT SHRINKABLE LIPPED BOOT TO A CONNECTOR.
2. SEE CH00-0250-008 FOR ORDERING INFORMATION, MODIFICATIONS AND ADDITIONAL DIMENSIONS.
- ③ SEE DRAWING TR FOR DETAIL ON TINEL-LOCK RING. RINGS ARE DESIGNED TO BE HEATED ELECTRICALLY. ALL RINGS ARE MARKED WITH THERMOCHROMIC PAINT WHICH CHANGES COLOR WHEN INSTALLATION TEMPERATURE IS REACHED.
4. ADAPTER TO BE PERMANENTLY MARKED WITH CODE IDENTIFICATION NUMBER AND PART NUMBER, LESS RING DESIGNATOR. (e.g. 06090 TXR66AB00-2012). RING SHALL BEAR NO MARKING.
- ⑤ FOR LARGER ENTRY SIZES, A 2 PIECE ADAPTER (TYPE II) IS SUPPLIED.
- ⑥ ADAPTER MATES TO: LITTON-VEAM VG95234 CONNECTORS, CIR SERIES, 06*, 07* AND 08*, LESS ALL BACKSHELLS.

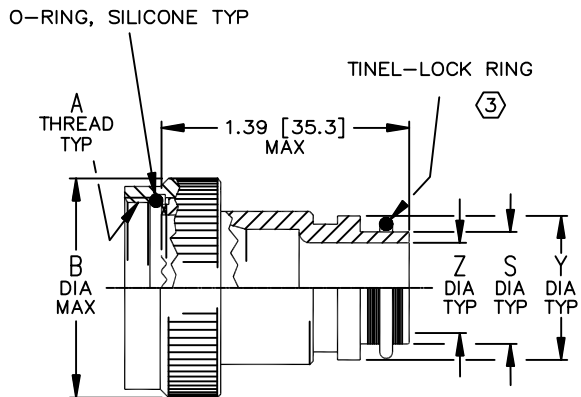
If this document is printed it becomes uncontrolled. Check for the latest revision

Raychem Adapters

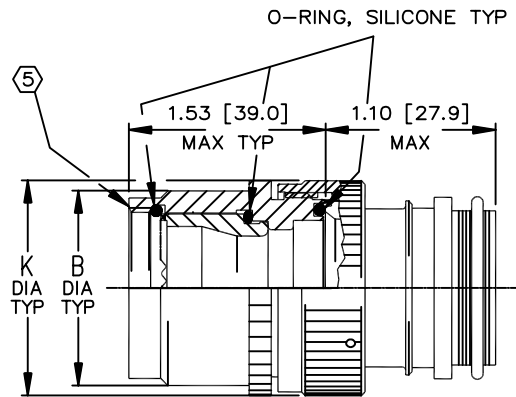
© 2012-2013 Tyco electronics corporation. All rights reserved

CUSTOMER DRAWING

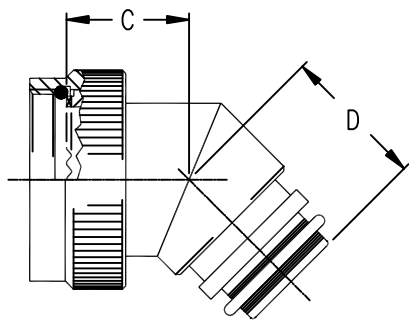
UNLESS OTHERWISE SPECIFIED DIMENSIONS ARE IN INCHES AND TOLERANCES ARE: .XXX ± - .XX ± - .X ± - ANGLES .X ± -	DRAWN G.WELLS	DATE FEB2013	 TE Connectivity		
	CHECKED -	DATE -			
	APPROVED -	DATE -			
MATERIAL -	THIRD ANGLE PROJECTION 		TITLE TINEL-LOCK™ ADAPTER		
FINISH -	CAD NAME TXR66_CD-1.dwg	SIZE A	CAGE CODE: 06090	DWG. NO. TXR66	REV B
	RPN: -	SCALE: NONE	SHEET 1 OF 3		



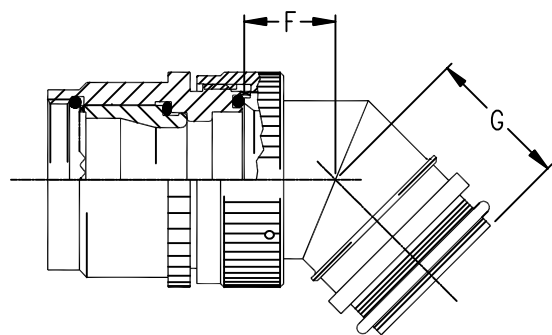
STRAIGHT ADAPTER - TYPE I



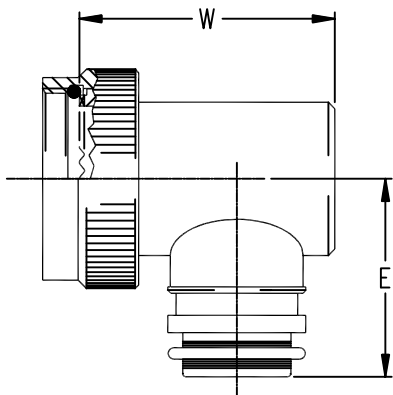
STRAIGHT ADAPTER - TYPE II



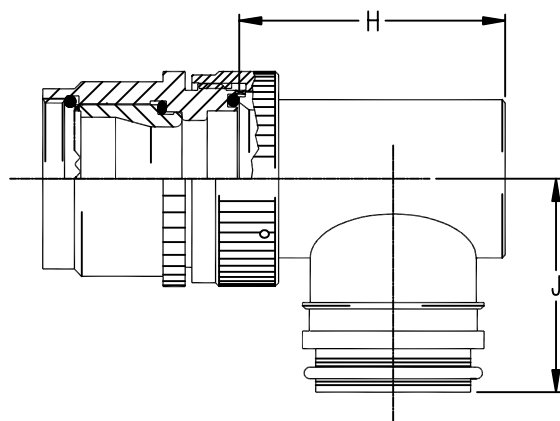
45° ADAPTER - TYPE I



45° ADAPTER - TYPE II



90° ADAPTER - TYPE I



90° ADAPTER - TYPE II

Raychem Adapters
CUSTOMER DRAWING

If this document is printed it becomes uncontrolled. Check for the latest revision

SIZE A	CAGE CODE: 06090	DWG. NO. TXR66	REV B
SCALE: NONE		SHEET 2 OF 3	

TABLE I								
ORDER NUMBER	SHELL SIZE ⑤ ⑥	MAX ENTRY SIZE ⑤ ⑥ TYPE I	A UNIFIED THREAD CLASS 2B	B DIA MAX	C MAX	D MAX	E MAX	W MAX
11	10SL	05	0.625-24 UNEF	.91 [23.1]	.82 [20.8]	1.16 [29.5]	1.20 [30.5]	1.21 [30.7]
14	14S	07	0.750-20 UNEF	1.04 [26.4]	.86 [21.8]	1.18 [30.0]	1.27 [32.3]	1.27 [32.3]
16	16/16S	08	0.875-20 UNEF	1.22 [31.0]	.93 [23.6]	1.20 [30.5]	1.33 [33.8]	1.33 [33.8]
18	18	10	1.000-20 UNEF	1.35 [34.3]	.99 [25.1]	1.22 [31.0]	1.39 [35.3]	1.58 [40.1]
20	20	12	1.125-18 UNEF	1.47 [37.4]	1.04 [26.4]	1.25 [31.8]	1.45 [36.8]	1.58 [40.1]
22	22	14	1.250-18 UNEF	1.60 [40.6]	1.06 [26.9]	1.27 [32.3]	1.52 [38.6]	1.65 [41.9]
24	24	16	1.375-18 UNEF	1.72 [43.7]	1.09 [27.7]	1.29 [32.8]	1.58 [40.1]	1.89 [48.0]
28	28	18	1.625-18 UNEF	1.97 [50.0]	1.11 [28.2]	1.32 [33.5]	1.70 [43.2]	2.02 [51.3]
32	32	22	1.875-16 UN	2.22 [56.4]	1.17 [29.7]	1.37 [34.8]	1.83 [46.5]	2.27 [57.7]
36	36	24	2.062-16 UN	2.47 [62.7]	1.22 [31.0]	1.42 [36.1]	1.92 [48.8]	2.58 [65.5]
40	40	28	2.312-16 UN	2.72 [69.1]	1.28 [32.5]	1.48 [37.6]	2.05 [52.1]	2.83 [71.9]

TABLE II								
ENTRY SIZE	Z DIA +0.010 -0.020 [+0.25] [-0.50]	S DIAMETER	Y DIA ±0.015 [±0.38]	F MAX	G MAX	H MAX	J MAX	K MAX
04	.250 [6.35]	.376 .370 [9.56] [9.39]	.550 [13.97]	N/A	N/A	N/A	N/A	N/A
05	.312 [7.92]	.438 .432 [11.13] [10.97]	.612 [15.54]	N/A	N/A	N/A	N/A	N/A
06	.375 [9.52]	.501 .495 [12.73] [12.57]	.675 [17.14]	.77 [19.6]	.93 [23.6]	1.19 [30.2]	1.16 [29.5]	.80 [20.3]
07	.437 [11.09]	.563 .556 [14.31] [14.12]	.737 [18.71]	.80 [20.3]	.95 [24.1]	1.38 [35.1]	1.22 [31.0]	.92 [23.4]
08	.500 [12.70]	.626 .619 [15.91] [15.72]	.800 [20.32]	.80 [20.3]	.95 [24.1]	1.38 [35.1]	1.22 [31.0]	.92 [23.4]
10	.625 [15.87]	.752 .742 [19.11] [18.84]	.925 [23.49]	.84 [21.3]	1.00 [25.4]	1.51 [38.4]	1.35 [34.3]	1.18 [30.0]
12	.750 [19.05]	.877 .867 [22.28] [22.02]	1.050 [26.67]	.86 [21.8]	1.01 [25.7]	1.63 [41.4]	1.40 [35.6]	1.35 [34.3]
14	.875 [22.23]	1.002 .991 [25.46] [25.17]	1.175 [29.84]	.88 [22.4]	1.04 [26.4]	1.78 [45.2]	1.46 [37.1]	1.41 [35.8]
16	1.000 [25.40]	1.127 1.116 [28.63] [28.34]	1.300 [33.02]	.91 [23.1]	1.06 [26.9]	1.88 [47.8]	1.53 [38.9]	1.60 [40.6]
18	1.125 [28.57]	1.252 1.241 [31.81] [31.52]	1.425 [36.19]	.93 [23.6]	1.09 [27.7]	2.01 [51.1]	1.59 [40.4]	1.66 [42.2]
20	1.250 [31.75]	1.377 1.366 [34.98] [34.69]	1.550 [39.37]	.98 [24.9]	1.13 [28.7]	2.13 [54.1]	1.78 [45.2]	2.04 [51.8]
22	1.375 [34.93]	1.502 1.488 [38.15] [37.79]	1.675 [42.55]	1.03 [26.2]	1.38 [35.1]	2.29 [58.2]	1.85 [47.0]	2.23 [56.6]
24	1.500 [38.10]	1.627 1.613 [41.33] [40.97]	1.800 [45.72]	1.08 [27.4]	1.44 [36.6]	2.42 [61.5]	1.92 [48.8]	2.23 [56.6]
28	1.820 [46.22]	1.877 1.863 [47.67] [47.32]	2.048 [52.0]	1.08 [27.4]	1.44 [36.6]	2.58 [65.5]	2.03 [51.6]	2.48 [63.0]

Raychem Adapters

CUSTOMER DRAWING

SIZE A	CAGE CODE: 06090	DWG. NO. TXR66	REV B
SCALE: NONE		SHEET 3 OF 3	