

5

4

3

2

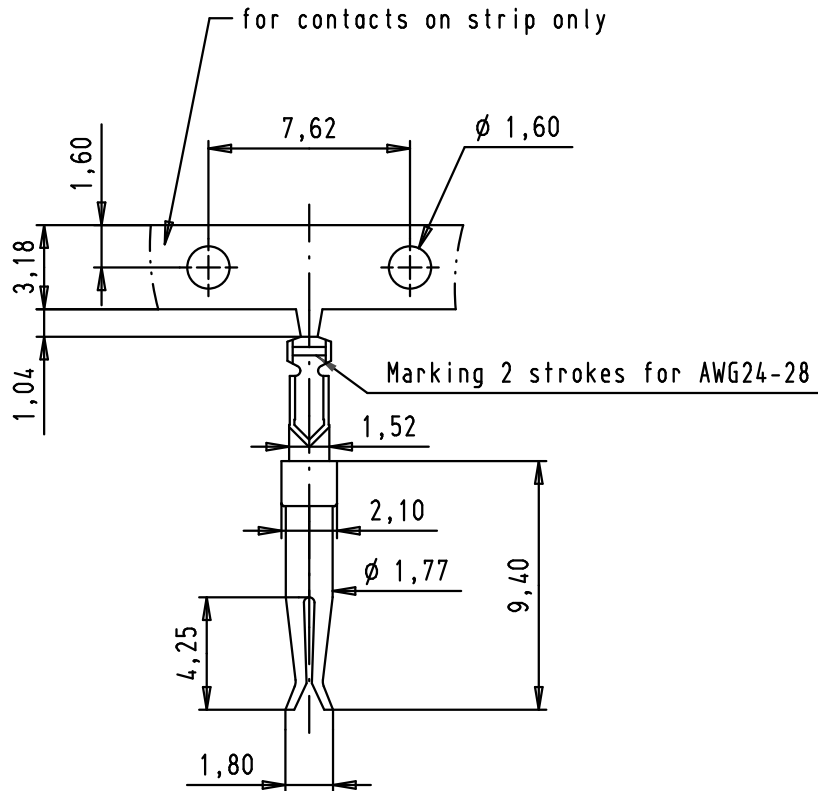
1

D

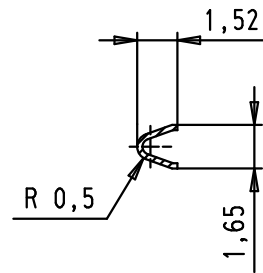
C

B

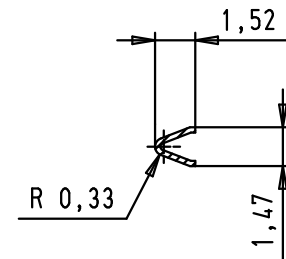
A



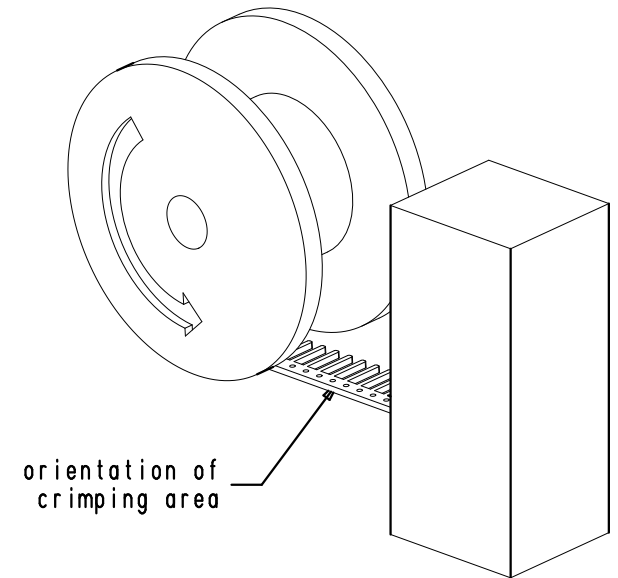
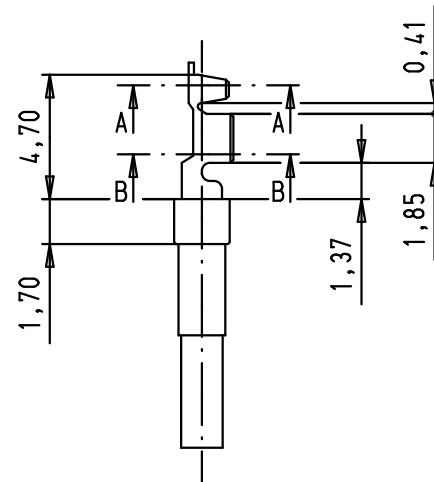
Section A-A



Section B-B

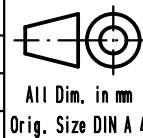


Reel unrolling left



Base material: brass
 Plating: sliding contact selective gold plated over nickel
 nickel plated crimp area
 Number of contacts per reel: 10000

				Dat.	Name
			Detail.	24/03/03	PP
36288	13/01/12	SD	Insp.	13/01/12	JB
33986	24/04/07	PK	Stand.		
33242	17/10/05	JMDR			
31476	24/03/03	PP			
Mod.	Dat.	Name	HARTING EURL F-95972 Paris		



D-Sub, stamped female
 AWG 24-28 crimp contact,
 reel unrolling left

Maßstab/
Scale
3,5:1

09 67 000 7258	PL2
09 67 000 7257	PL3
09 67 000 7256	PL1
Part number	Performance level

TB 09 67 000 725X

Blatt/ Page
1 / 1

Sub.

