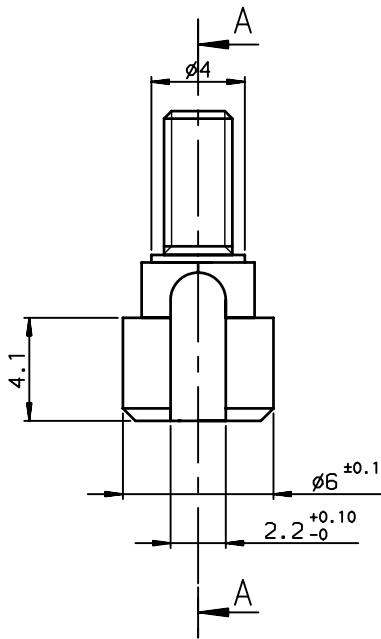
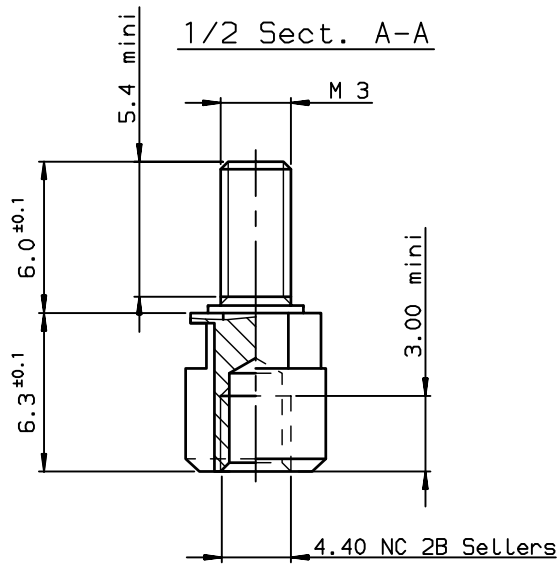
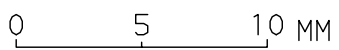
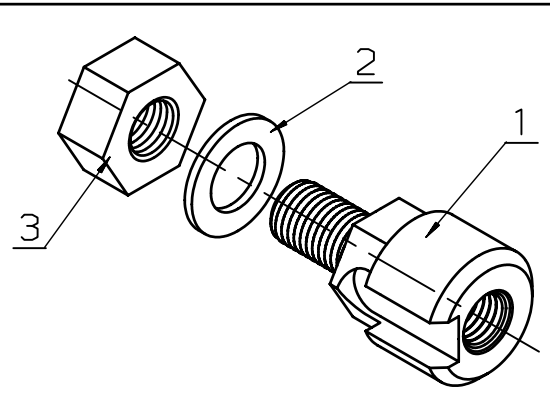
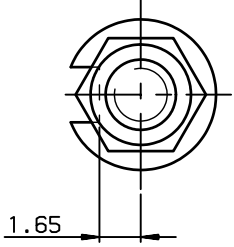


Copyright FCJ. **FCJ**



86551301100	3	100	NUT M3 M3	STEEL, yellow ZINC
	2	100	WASHER Ø3	STEEL, yellow ZINC
	1	100	CODING	STEEL, yellow ZINC
PART NUMBER	Rep	Qty	DESIGNATION	MATERIAL



rev	ecn no	dr	date
A1	-	ETI	1992/06/17
B	LS06-0097	LGO	2006/07/28
C	LS08-0225	MPE	2008/12/08
-	-	-	-
-	-	-	-
-	-	-	-

www.fciconnect.com		surface ISO 1302 ✓	tolerance std ISO 406 ISO 1101	projection A3	mm
TOLERANCES UNLESS OTHERWISE SPECIFIED					
ANGULAR	LINEAR	0.X	±0.1	size	Scale
0.XX' ±2°		0.XX	±0.1	A3	5
0.XXX		0.XXX	±0.1	ECN	LS08-0225
Dr	ETIEMBRE	1992/06/17	Product family	D-SUB	Spec ref -
Eng	FONTENEAU	1992/06/17			
Chr	LEGARE	1992/06/17			
Appr	LEGARE	1992/06/17			
<b>FCJ</b>	title <b>REMOVABLE CODING FEMALE</b>		dwg no	Rev.	
	PER 100 PIECES		C01-8655-0632	C	
catalog no			CUSTOMER	sheet 1 of 1	

REV F - 2006-04-17