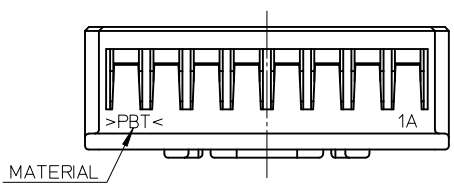
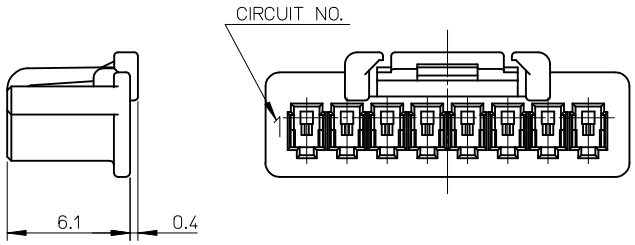
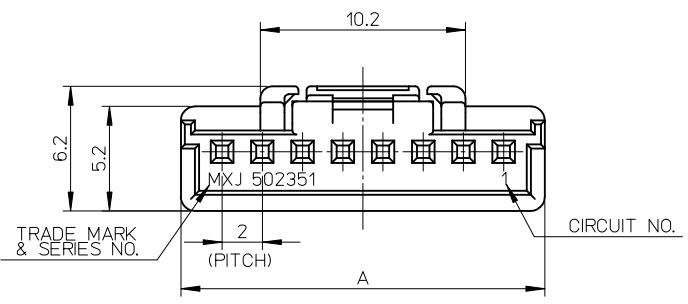
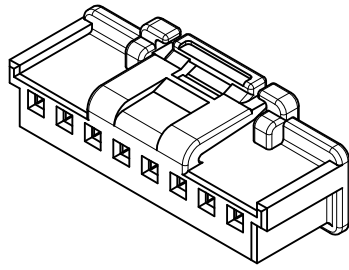
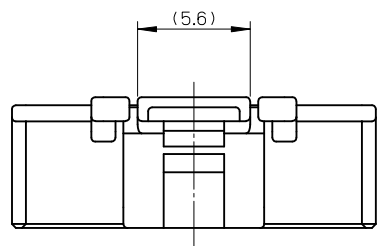


NOTES

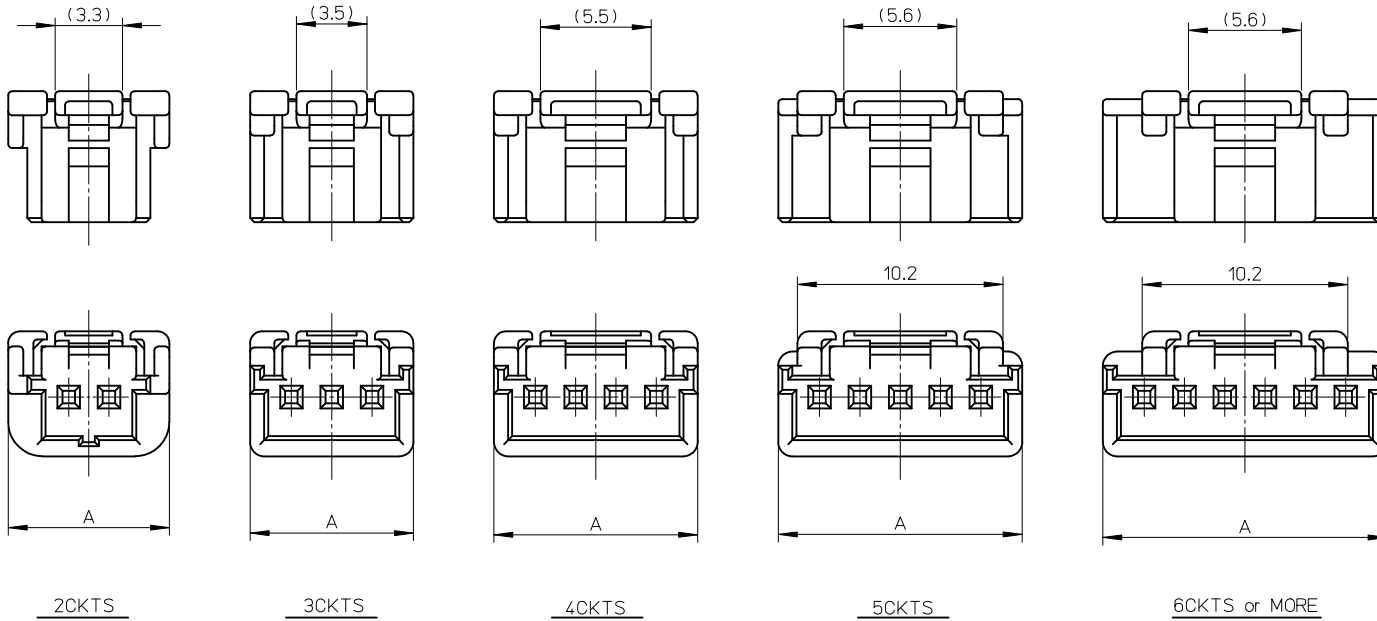
- 1. 材質: PBT
MATERIAL: PBT
- 2. 色: 白
COLOR: WHITE
- 3. 適合端子: 50212, 50372, 56161シリーズ
APPLICABLE TERMINAL: 50212, 50372, 56161 SERIES
- 4. 嵌合相手: 502352, 560020シリーズ
MATES WITH: 502352, 560020 SERIES
- 5. ELV及びRoHS適合品
ELV AND RoHS COMPLIANT



18.1	502351-0800	8
16.1	502351-0700	7
14.1	502351-0600	6
12.1	502351-0500	5
10.1	502351-0400	4
8.1	502351-0300	3
8.0	502351-0200	2
A	MATERIAL NO.	CKTS

8CKTS

REVISED EC NO: JTR2012-0080 DRWN: Y. TAMAKI 2012/02/24 CHKD: H. KOMATSU 2012/02/29 APPR: M. MAYAMOTO 2012/03/01	GENERAL TOLERANCES (UNLESS SPECIFIED)		DIMENSION STYLE MM ONLY		SCALE 4:1	DESIGN UNITS METRIC	THIRD ANGLE PROJECTION	
	10 UNDER	±0.20	DRAWN BY SHSHIBATA	DATE 2007/12/18	TITLE 2.0MM PITCH WIRE TO BOARD CONN. RECEPTACLE HOUSING			
	10 OVER 30 UNDER	±0.25	CHECKED BY HKOMATSU	DATE 2007/12/18	MOLEX INCORPORATED			
	30 OVER	±0.30	APPROVED BY MAYAMAMOTO	DATE 2010/12/02	MATERIAL NO. SEE CHART	DOCUMENT NO. SD-502351-001	SHEET NO. 1 OF 2	
	ANGULAR ±3 ° DRAFT WHERE APPLICABLE MUST REMAIN WITHIN DIMENSIONS	THIS DRAWING CONTAINS INFORMATION THAT IS PROPRIETARY TO MOLEX INCORPORATED AND SHOULD NOT BE USED WITHOUT WRITTEN PERMISSION						



REVISED EC NO: JTR2012-0080 DRWN: YAMAKI 2012/02/17 CHKD: HKOMATSU 2012/02/29 APPR: MAYAMOTO 2012/03/01	GENERAL TOLERANCES (UNLESS SPECIFIED)		DIMENSION STYLE MM ONLY	SCALE 4:1	DESIGN UNITS METRIC	THIRD ANGLE PROJECTION
	10 UNDER	±0.20	DRAWN BY SHSHIBATA	DATE 2007/12/18	TITLE 2.0MM PITCH WIRE TO BOARD CONN. RECEPTACLE HOUSING	
	10 OVER 30 UNDER	±0.25	CHECKED BY HKOMATSU	DATE 2007/12/18	MOLEX INCORPORATED DOCUMENT NO. SD-502351-001	
	30 OVER	±0.30	APPROVED BY MAYAMOTO	DATE 2010/12/02		
ANGULAR ±3 °		MATERIAL NO. SEE CHART				
DRAFT WHERE APPLICABLE MUST REMAIN WITHIN DIMENSIONS		THIS DRAWING CONTAINS INFORMATION THAT IS PROPRIETARY TO MOLEX INCORPORATED AND SHOULD NOT BE USED WITHOUT WRITTEN PERMISSION				