

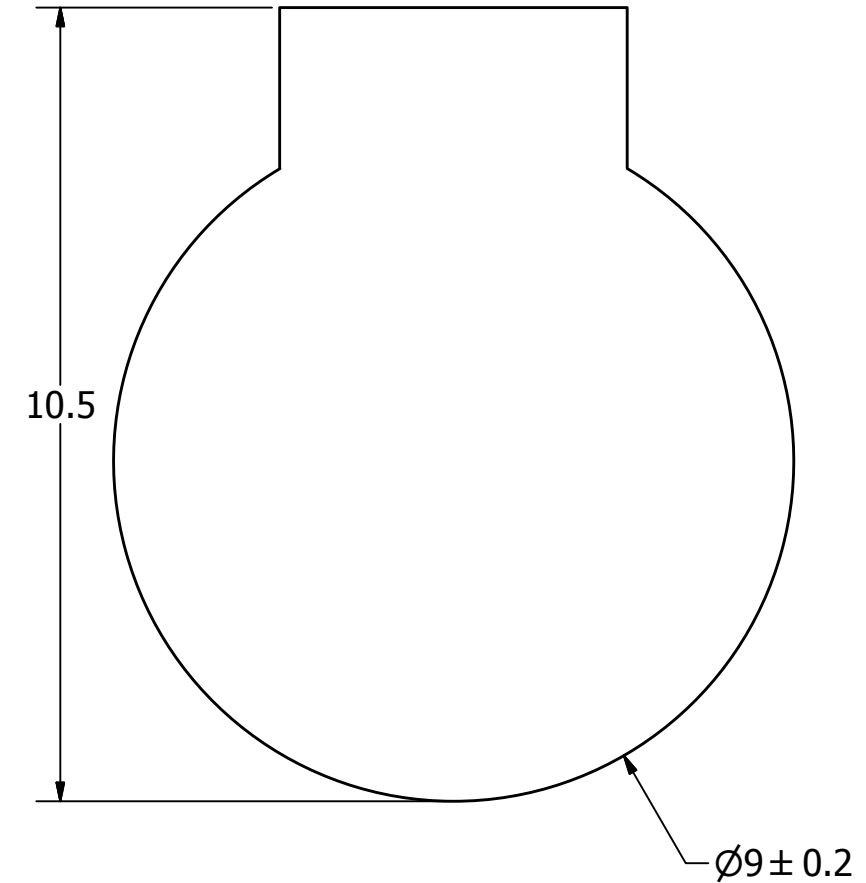
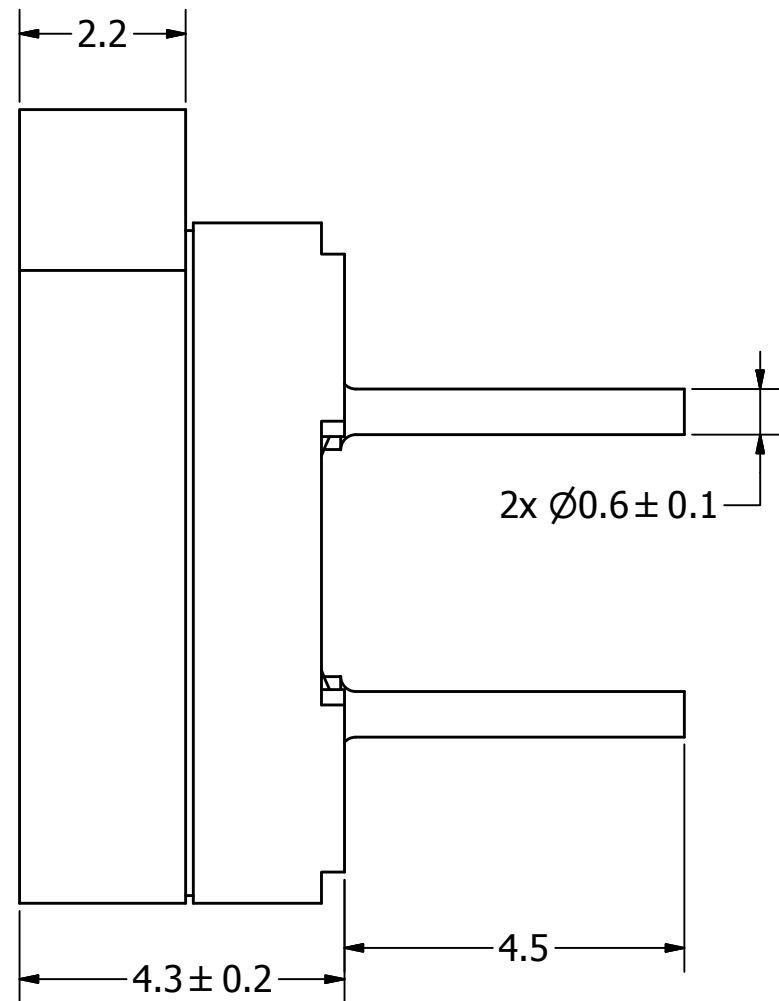
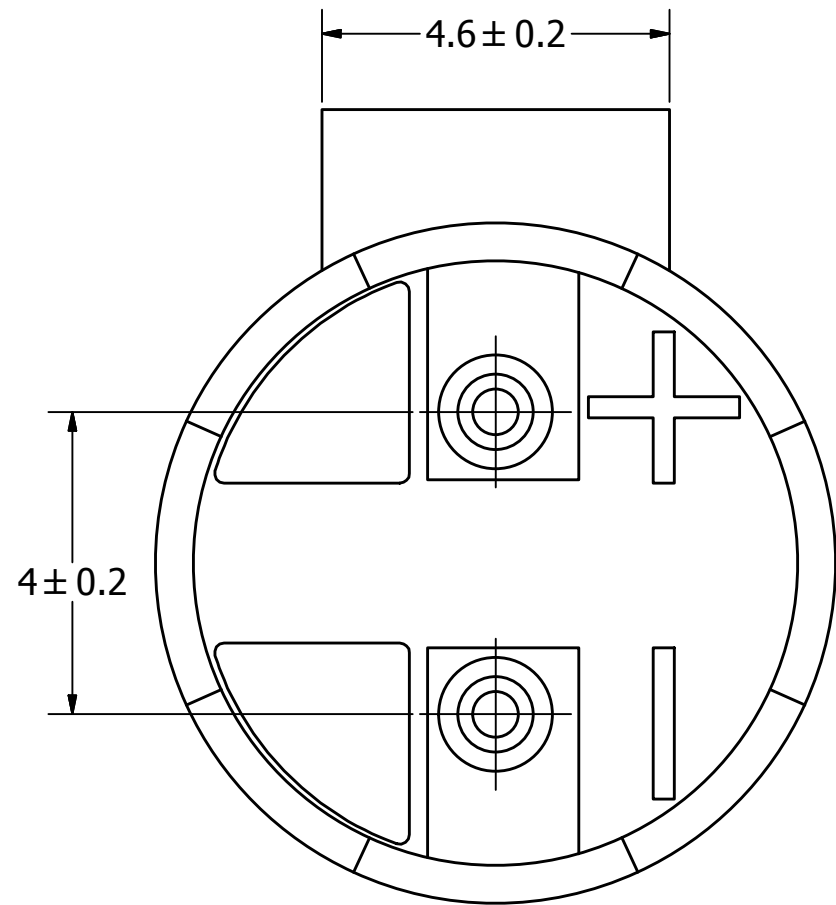
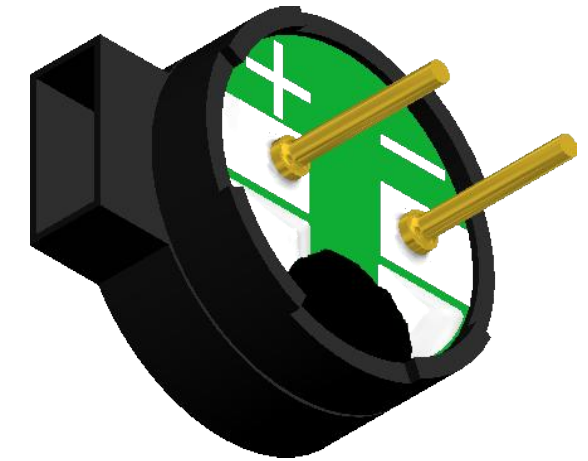
SPECIFICATIONS

PARAMETERS	VALUES	UNIT
RATED VOLTAGE	3	Vpk
OPERATING VOLTAGE RANGE	2 ~ 4	Vpk
RATED CURRENT (MAX)	80	mA
COIL RESISTANCE	15 ± 3	OHM
MINIMUM SPL @ 10 CM	90	dB
RESONANT FREQUENCY	2,730 ± 500	Hz
OPERATING TEMPERATURE	-20 ~ +70	°C
STORAGE TEMPERATURE	-30 ~ +80	°C
HOUSING MATERIAL	NORYL	-
TERMINAL MATERIAL	Au PLATED BRASS	-
WEIGHT	0.5	grams

THIS DOCUMENT CONTAINS DATA PROPRIETARY TO PROJECTS UNLIMITED, INC. ANY USE OR REPRODUCTION, IN ANY FORM, WITHOUT PRIOR WRITTEN PERMISSION OF PROJECTS UNLIMITED, INC. IS PROHIBITED.
©2003, Projects Unlimited Inc.

REVISION HISTORY

LTR	DESCRIPTION	DATE	APPROVED
-	RELEASED FROM ENGINEERING	08/07/2014	
A	CORRECTED PART WEIGHT	10/27/2016	M.L.



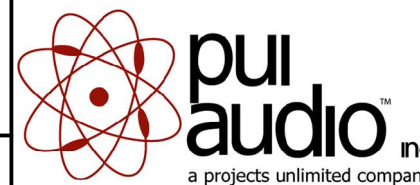
NOTES:

1. ALL DIMENSIONS ARE IN MILLIMETERS.
2. SPECIFICATIONS SUBJECT TO CHANGE OR WITHDRAWL WITHOUT NOTICE.
3. THIS PART IS RoHS 2011/65/EU COMPLIANT.

UNLESS OTHERWISE SPECIFIED:
ALL PURCHASES ARE SUBJECT TO AND INCORPORATE THE PUI AUDIO TERMS AND CONDITIONS SALE FOUND AT http://www.puiaudio.com/pdf/terms_conditions.pdf (paper copy available upon request). DIMENSIONS ARE IN MILLIMETERS, TOLERANCES ARE ±0.5 AND ANGLES ARE ±3°.

SIZE
A3

Designed by	Date	Checked by	Date	Approved by	Date	Drawn Date
J.D.	8/7/2014	C.W.	8/7/2014	B.R.	8/7/2014	8/7/2014



AT-1127-ST-2-R

Transducer (Electro-Mech)	Edition	Sheet
	-	1 / 1

AT-1127-ST-2-R.idw