

ORDERING GUIDE:

5 1 6 - 2 3 5 - 1 5 6

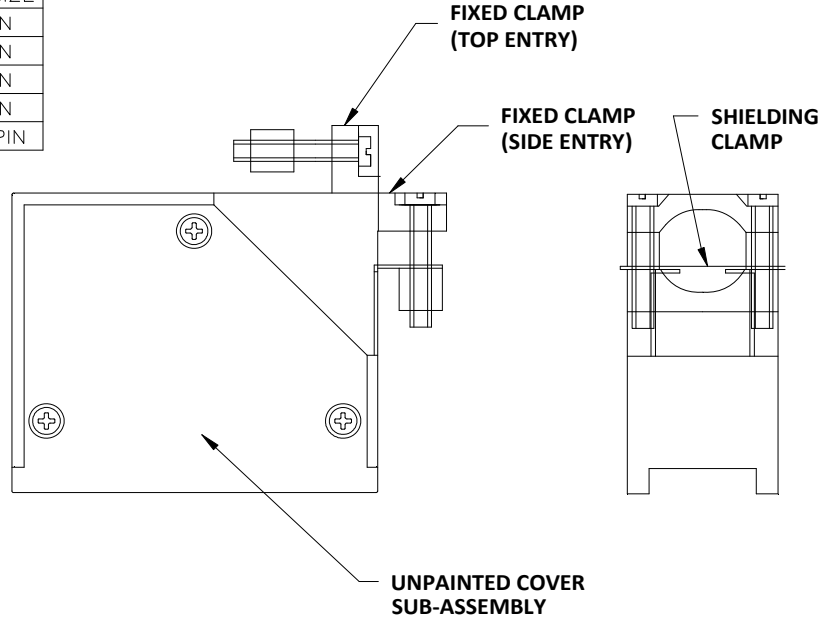
SERIES
SHIELDED COVER IDENTIFICATION CODE
COVER TYPE

COVER SIZE

CODE	COVER SIZE
20	20 PIN
38	38 PIN
56	56 PIN
90	90 PIN
12	120 PIN

CODE	ENTRY STYLE	THREAD TAP
1	SIDE	METRIC
3	TOP	METRIC
5	SIDE	UNIFIED
7	TOP	UNIFIED

516 SERIES SHIELDED METAL COVER



NOTE:
 PACKAGING TO PREVENT PLATING
 SCRATCHES AND SCRAPES IS REQUIRED.

COMPONENTS CHART

SHIELDED COVER PART NUMBER		UNPAINTED COVER SUB-ASSEMBLY										SHIELDING CLAMP	
												1	516-234-121
												1	516-234-139
												1	516-234-157
												1	516-234-191
												1	516-234-113
												1	516-234-421
												1	516-234-439
												1	516-234-457
												1	516-234-491
												1	516-234-413
		1											516-234-621
			1										516-234-639
				1									516-234-657
					1								516-234-691
						1							516-234-613
							1						516-234-821
								1					516-234-839
									1				516-234-857
										1			516-234-891
											1		516-234-813
													516-237-120
			1	1									516-237-138
													516-237-190
													516-237-112
													516-235-120
													516-235-138
													516-235-156
													516-235-190
													516-235-112
													516-235-320
													516-235-338
													516-235-356
													516-235-390
													516-235-312
													516-235-520
													516-235-538
													516-235-556
													516-235-590
													516-235-512
													516-235-720
													516-235-738
													516-235-756
													516-235-790
													516-235-712