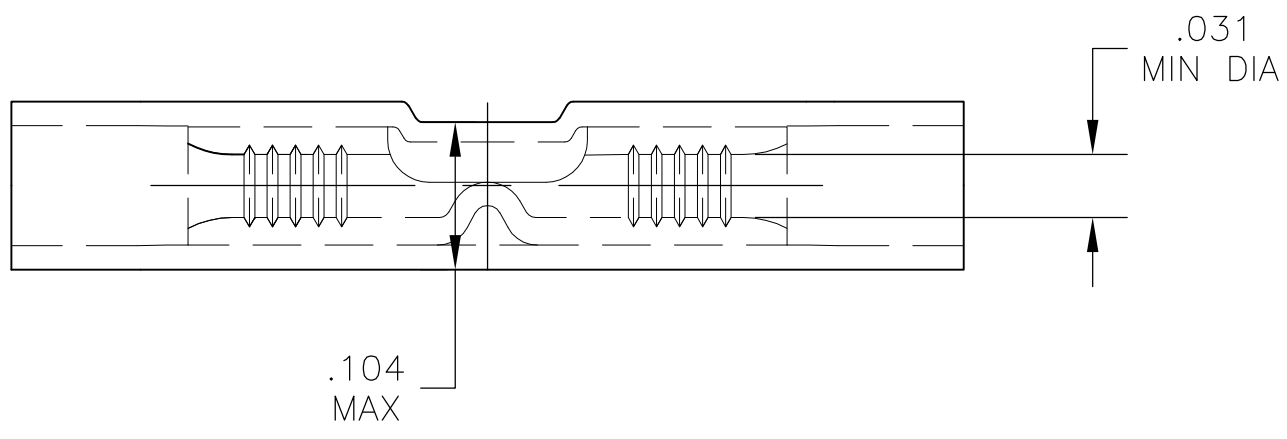
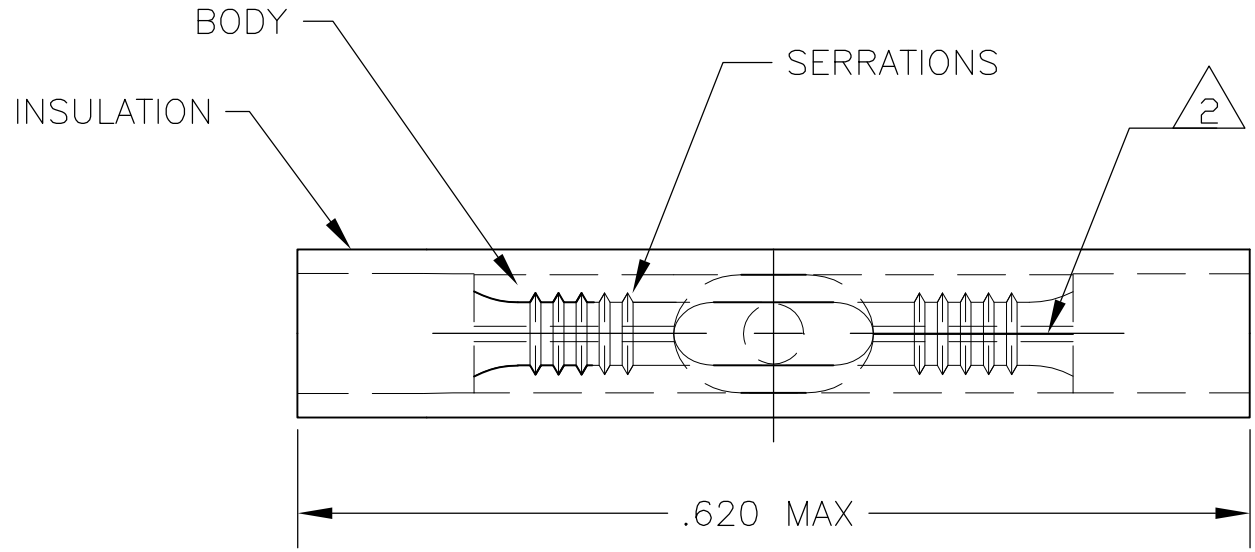


THIS DRAWING IS UNPUBLISHED. RELEASED FOR PUBLICATION
 © COPYRIGHT - By - ALL RIGHTS RESERVED.

LOC	DIST	REVISIONS					
		P	LTR	DESCRIPTION	DATE	DWN	APVD
G	14		F3	REVISED PER ECO-11-004917	11MAR11	RK	HMR



- 1 FOR .050 TO .080 WIRE INSULATION DIA.
- 2 BRAZED SEAM ON BUTT SPLICE BODY
- 3 MATERIAL: INSULATION - PVC
 COLOR - YELLOW
 BODY - COPPER PER ASTM B152
 FINISH - TIN PL. PER ASTM B545

QTY	DESCRIPTION	PART NO
100	LOOSE PIECE	8-321026-1
4000	ON TAPE	2-321026-1
1000	LOOSE PIECE	321026

THIS DRAWING IS A CONTROLLED DOCUMENT.		DWN jr_ruth 27OCT04	STE TE Connectivity	
DIMENSIONS: INCHES		CHK T MICHELUTTI 27OCT04		
TOLERANCES UNLESS OTHERWISE SPECIFIED:		APVD T MICHELUTTI 27OCT04	NAME	
0 PLC ± -		PRODUCT SPEC		WIRE BUTT SPLICE, PLASTI-GRIP, WIRE SIZE: 26-22
1 PLC ± -		APPLICATION SPEC		
2 PLC ± -		114-2161		SIZE
3 PLC ± .008		WEIGHT -		CAGE CODE
4 PLC ± -		CUSTOMER DRAWING		DRAWING NO
ANGLES ± 5°		SCALE 1:1		SHEET 1 OF 1
MATERIAL		FINISH		RESTRICTED TO
3		3		REV F3