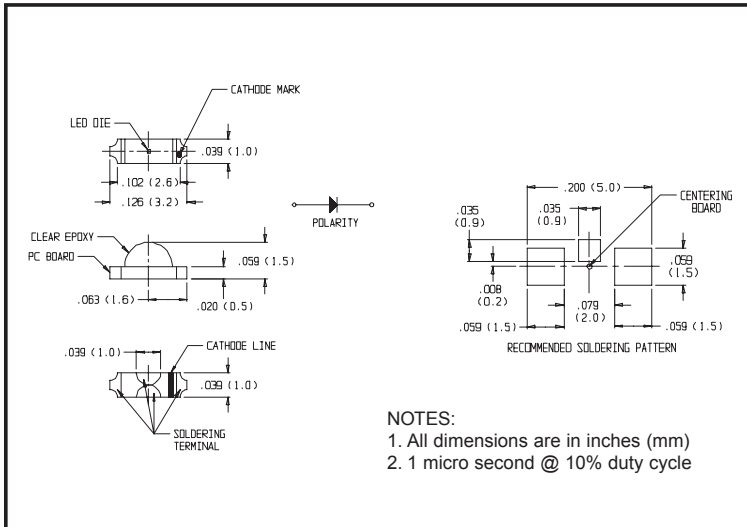


CMDA7 Series HIGH BRIGHTNESS Right Angle Surface Mount LED Description and Features



Features

- High brightness
- Small size
- Industry standard Footprint
- Non-diffused optics
- Right angle emitting
- Compatible with IR solder profiles
- Ideal for use with Light Pipes
- Available in 8 mm tape on 7" diameter reel
- Packaged 3,000 pieces per reel
- RoHS Compliant

Applications

- LCD backlighting
- Push button backlighting
- Front panel indicator
- Symbol indicator
- Microdisplays
- Small message panel signage

CAUTION: CMDA6AG is Class 1 ESD sensitive per MIL-STD-1686. Please observe appropriate precautions during handling and processing.

Electro-Optical Characteristics and Ratings

| Part Number | Output Color | Diffusion | Package Color | Test Current (mA) | Forward Voltage Typ. (V) | Forward Voltage Max. Typ. (V) | Luminous Intensity Min. (mcd) | Luminous Intensity Typ. (mcd) | Peak Wavelength (nm) | Viewing Angle (Degrees) |
|-------------|--------------|--------------|---------------|-------------------|--------------------------|-------------------------------|-------------------------------|-------------------------------|----------------------|-------------------------|
| CMDA7AG7A1S | Green | Non-Diffused | Clear | 20 | 3.4 | 3.9 | 40 | 150 | 520 | 130 |
| CMDA7DY7A1S | Amber | Non-Diffused | Clear | 20 | 1.9 | 2.4 | 25 | 95 | 595 | 130 |
| CMDA7AR7A1S | Red | Non-Diffused | Clear | 20 | 1.9 | 2.4 | 25 | 95 | 637 | 130 |

Absolute Maximum Ratings to = 25°C

| Part Number | Power Dissipation (mW) | Operating Temperature (°C) | Storage Temperature (°C) | Peak Forward Current Max. (See note 2) (mA) | Reverse Voltage (IR = 100 mA) (V) | Lead Solder Time at 230°C (Seconds) |
|-------------|------------------------|----------------------------|--------------------------|---|-----------------------------------|-------------------------------------|
| AG | 98 | -30 to +85 | -40 to +85 | 100 | 5 | 10 |
| DY | 75 | -30 to +85 | -40 to +85 | 100 | 5 | 10 |
| AR | 75 | -30 to +85 | -40 to +85 | 100 | 5 | 10 |