

P	LTR	DESCRIPTION	DATE	DWN	APVD
A2		ECR-12-012115	26OCT'12	EL	WK

NOTE:

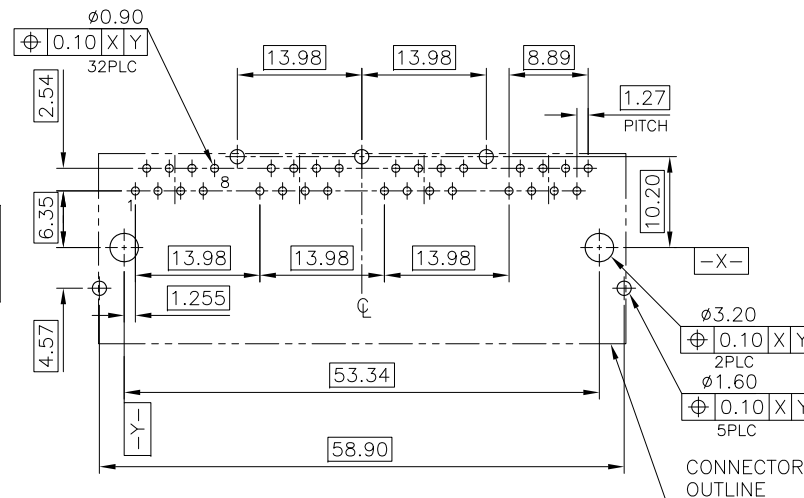
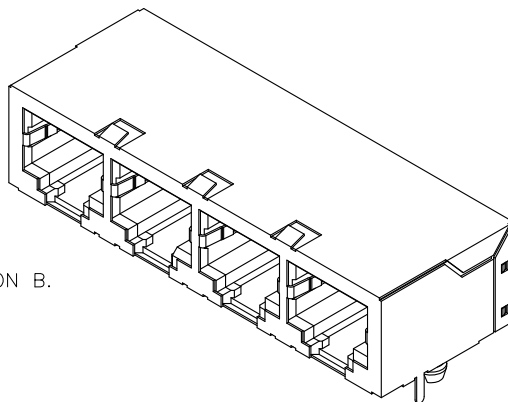
1. MATERIAL:

- 1.1 HOUSING: PA46, WITH 30% GF, UL94 V-0, BLACK COLOR.
- 1.2 CONTACTS: PHOSPHOR BRONZE.
- 1.3 SHELL: BRASS.

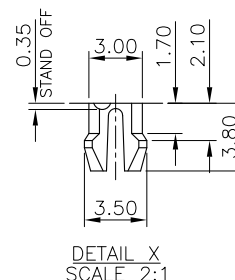
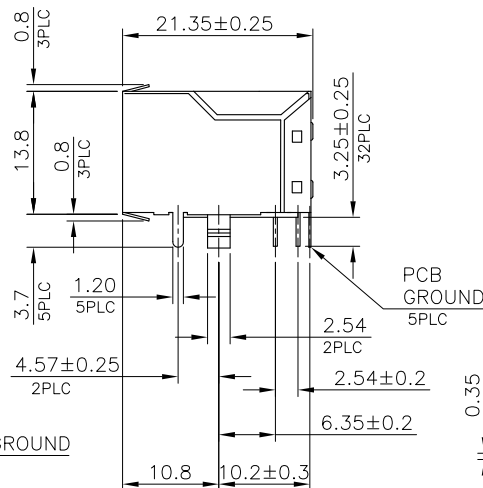
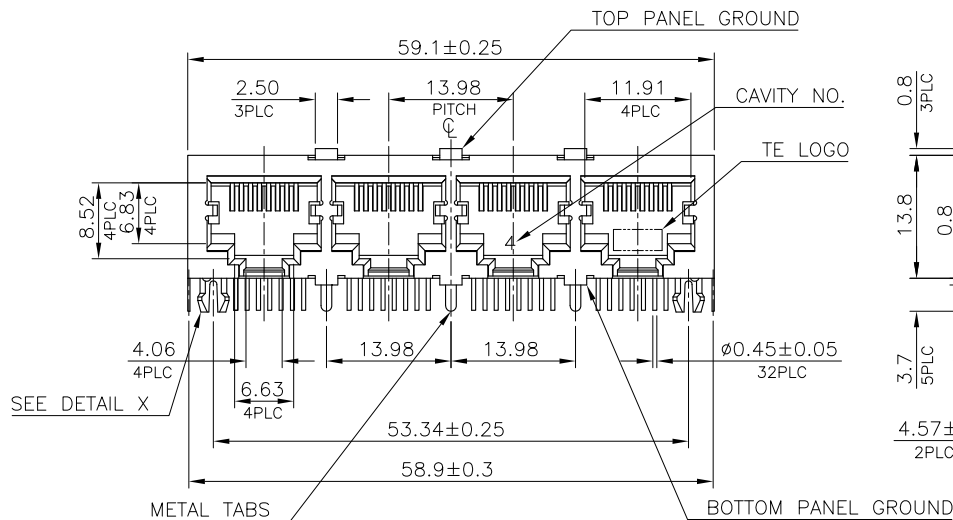
2. FINISH:

- 2.1 CONTACTS: (SEE TABLE) GOLD PLATED ON CONTACT AREA, 1.27um [50u"] MIN. NICKEL UNDERPLATED OVERALL.
- 2.2 SHELL: 0.508um [20u"] MIN. NICKEL PLATED.
- PCB GROUND: TIN PLATED.

3. REFLOW SOLDER CAPABLE TO 260°C PER TEC-109-201, CONDITION B.

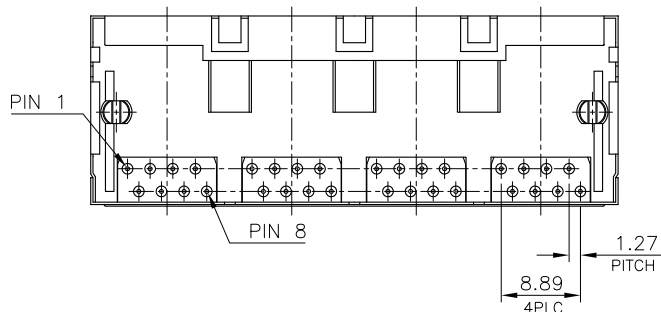


RECOMMENDED PCB LAYOUT  
 RECOMMENDED PCB THICKNESS: 1.6mm.  
 TOLERANCE: ±0.05 (TOP VIEW)



DETAIL X SCALE 2:1

STATUS	TYPE	THICKNESS	PART NUMBER
OBSOLETE	TRAY	1.27um[50u"]	1-1734714-4
OBSOLETE		0.76um[30u"]	1-1734714-3
OBSOLETE		0.38um[15u"]	1-1734714-2
OBSOLETE	TUBE	0.15um[6u"]	1-1734714-1
OBSOLETE		1.27um[50u"]	1734714-4
OBSOLETE		0.76um[30u"]	1734714-3
OBSOLETE		0.38um[15u"]	1734714-2
OBSOLETE		0.15um[6u"]	1734714-1
	PACKAGE	MIN. GOLD THICKNESS	PART NUMBER



THIS DRAWING IS A CONTROLLED DOCUMENT.

DIMENSIONS: mm

TOLERANCES UNLESS OTHERWISE SPECIFIED:

0 PLC	± -
1 PLC	± 0.3
2 PLC	± 0.2
3 PLC	± 0.15
4 PLC	± -
ANGLES	± 3°

MATERIAL SEE NOTE

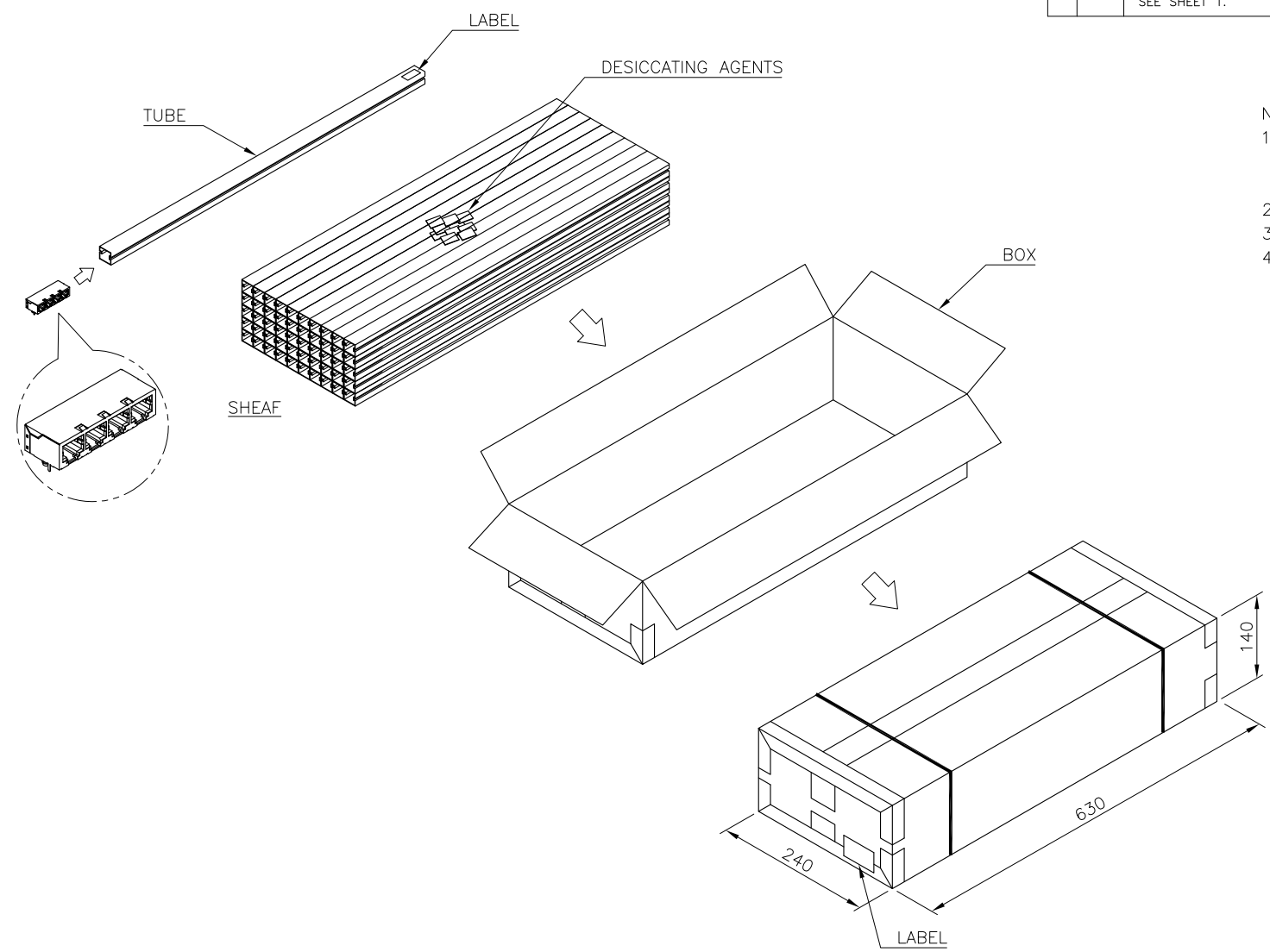
FINISH SEE NOTE

DWN	S. CHIEN	20FEB2008
CHK	S. HOU	20FEB2008
APVD	W. KODAMA	20FEB2008
PRODUCT SPEC	108-57136	
APPLICATION SPEC	-	
WEIGHT	22.41 GRAMS	
CUSTOMER DRAWING		

<b>STE</b> TE Connectivity			
NAME: MODULAR JACK, RJ45, MULTI-PORT, SHIELDED, THRU-HOLE, PANEL GROUND			
SIZE	CAGE CODE	DRAWING NO	RESTRICTED TO
A3	00779	C=1734714	-
SCALE			SHEET 1 OF 2
REV			A2

THIS DRAWING IS UNPUBLISHED. RELEASED FOR PUBLICATION  
 © COPYRIGHT 2011 BY TYCO ELECTRONICS CORPORATION. ALL RIGHTS RESERVED.

LOC	DIST	REVISIONS					
DW		P	LTR	DESCRIPTION	DATE	DWN	APVD
				SEE SHEET 1.			



- NOTES:
- MATERIAL:  
TUBE: PVC.  
BOX: CORRUGATED FIBER.
  - DIMENSION: SEE DRAWING
  - QUANTITY: SEE TABLE
  - WEIGHT: SEE TABLE

13.40KG	10.08G	9	50	450
GROSS WEIGHT	NET WEIGHT	PCS/TUBE	TUBES/BOX	PCS/BOX

THIS DRAWING IS A CONTROLLED DOCUMENT.		DWN	-		
DIMENSIONS: mm		CHK	-		
TOLERANCES UNLESS OTHERWISE SPECIFIED:		APVD	-		
0 PLC ± .		PRODUCT SPEC	-		
1 PLC ± 0.3		APPLICATION SPEC	-		
2 PLC ± 0.2		WEIGHT	-		
3 PLC ± 0.15		CUSTOMER DRAWING	-		
4 PLC ± .		SCALE	-		
FINISH		SHEET	2 of 2		
MATERIAL		REV	A2		
		<b>STE</b> TE Connectivity NAME: MODULAR JACK, RJ45, MULTI-PORT, SHIELDED, THRU-HOLE, PANEL GROUND SIZE: A3 CAGE CODE: 00779 DRAWING NO: C=1734714 RESTRICTED TO: - SCALE: - SHEET: 2 of 2 REV: A2			