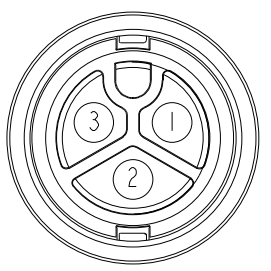
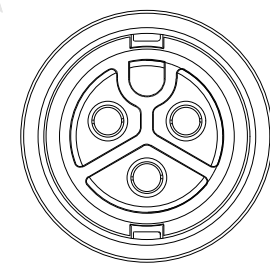
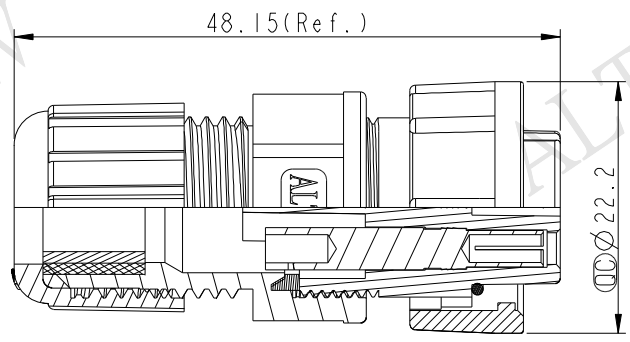
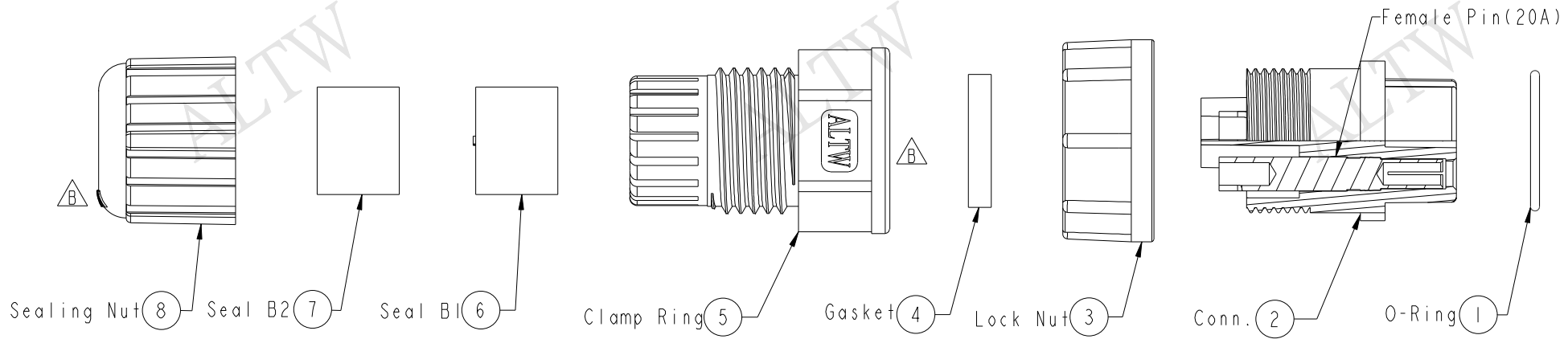


REV.	ECN NO.	DATE	SIGN	DESCRIPTION
A	Initial Release	2010/08/10	Aric	Change Rev.01 To Rev.A
B	LEN1490384	2014/09/20	Lu Di	Update Logo



Pin Assignments  
Front View

ALTW  
CONFIDENTIAL  
2014-09-20  
R&D DEPT.

ALTW  
DCC. DEPT.  
CONFIDENTIAL  
2014.09.24  
ISSUED

- Notes:
- \* (CC) Important Dimensions To Check.
  - \* Housing: Nylon+GF, Black.
  - \* Female Pin: Copper Alloy, Gold Plated.
  - \* O-Ring: Silicone, Gray.
  - \* Lock Nut: Nylon+GF, Black.
  - \* Gasket: Silicone, Gray.
  - \* Clamp Ring: Nylon, Black.
  - \* Sealing Nut: Nylon, Black.
  - \* Seal B1 For Cable OD:  $\varnothing 7.6\text{mm} \sim 9.6\text{mm}$
  - \* Seal B2 For Cable OD:  $\varnothing 4.0\text{mm} \sim 7.6\text{mm}$
  - \* One Set Unassembled In One PE Bag.
  - \* UL94V-0 rated materials.

A	UNIT:mm	TITLE Power, Assy Lock 3Pins F Conn. F Pin 20Amps			ITEM NO PWC-03BFFA-LL7002	DRAWN BY Lu Di	DATE 2014/09/20
	TOLERANCE .X $\pm 0.25$ .XX $\pm 0.1$ .XXX $\pm 0.05$ ANGLES $\pm 1^\circ$	SCALE 3:2	SIZE A4	SHEET 1 OF 1	DWG NO PWC-03BFFA-LL7002	CHECKED BY Mafei	DATE 2014/09/20
	REV. B	WC-REV. A.3	(CC): Inspection item		CUSTOMER ALTW	APPROVED BY Jerry	DATE 2014/09/20
	Amphenol LTW 安費諾亮泰企業股份有限公司				8 FMM10702-01-02A1		

THIS DOCUMENT IS SUBJECT TO CHANGE WITHOUT NOTICE. IT IS CONFIDENTIAL AND A PROPERTY OF AMPHENOL LTW. DISCLOSURE TO THIRD PARTY HAS TO BE AUTHORIZED BY AMPHENOL LTW.