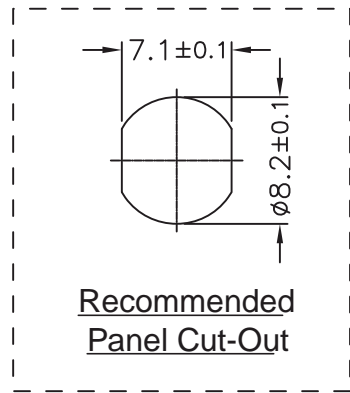


- Material:**
- Waterproof Rate: IP67
  - LED Holder: Brass, Nickel plating
  - LED:  $\varnothing$ 3mm, Red
  - Gasket: EPDM, Black
  - Screw Nut: Brass, Nickel plating
  - Operating voltage: 4V DC
  - Operating Temperature: -40°C~+80°C
  - For Panel Thickness 6.5mm Max.



QC Quality Control: Important Dimension to check

Unit: mm



Scale	Free						Date	Name	Title <b>Waterproof LED</b> Red color, metal, $\varnothing$ 3.0mm
TOLERANCE						Drawn	06.03.14	Wilson	
X.	$\pm 0.3$					Approved	06.03.14	Groll	ASSMANN WSW-No. <b>A-LED8-1RAAS-MR7-1</b>
X.X	$\pm X$								Drawing-No. <b>ASS 6231 CO</b>
X.XX	$\pm X$								rev00
DIM	TOL								Replace
X.°	$\pm X^\circ$								Sheet
X.X°	$\pm X^\circ$								1/1
Angle	TOL	Id.	Modification	Date	Name	 1840 W. Drake Drive, Suite 101 • Tempe, AZ 85283 Toll Free: 1-877-277-6266 • Email: info@assmann.us			