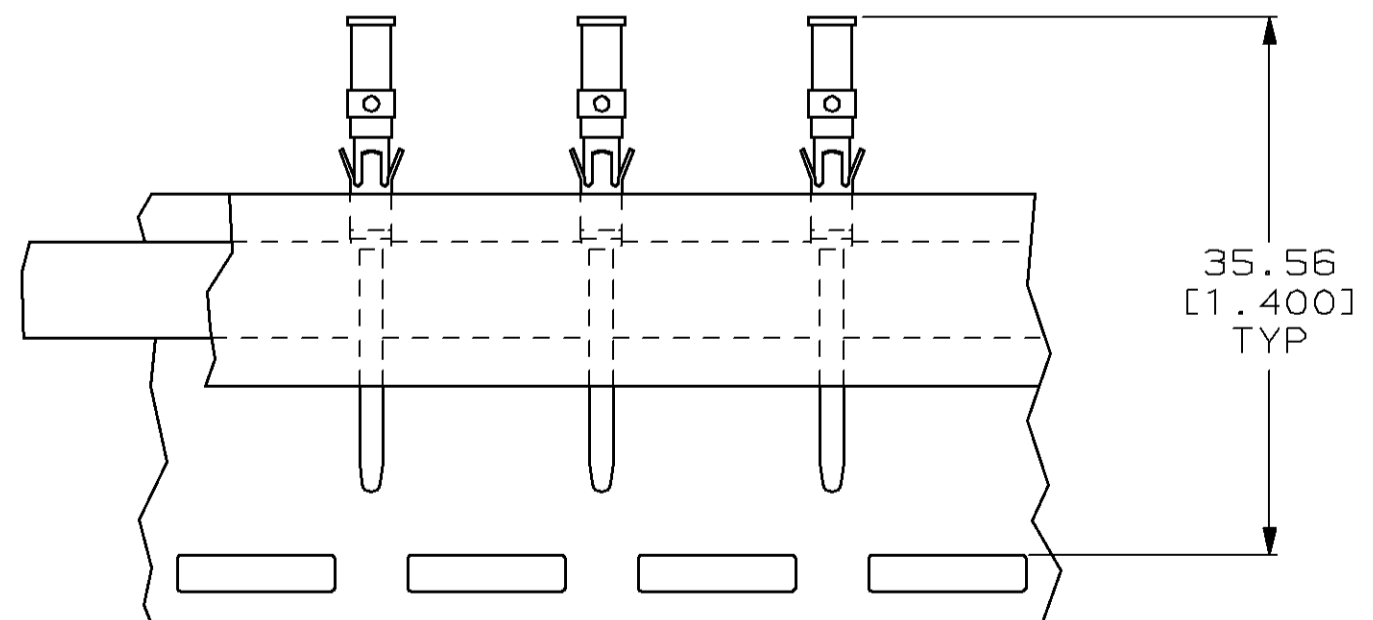
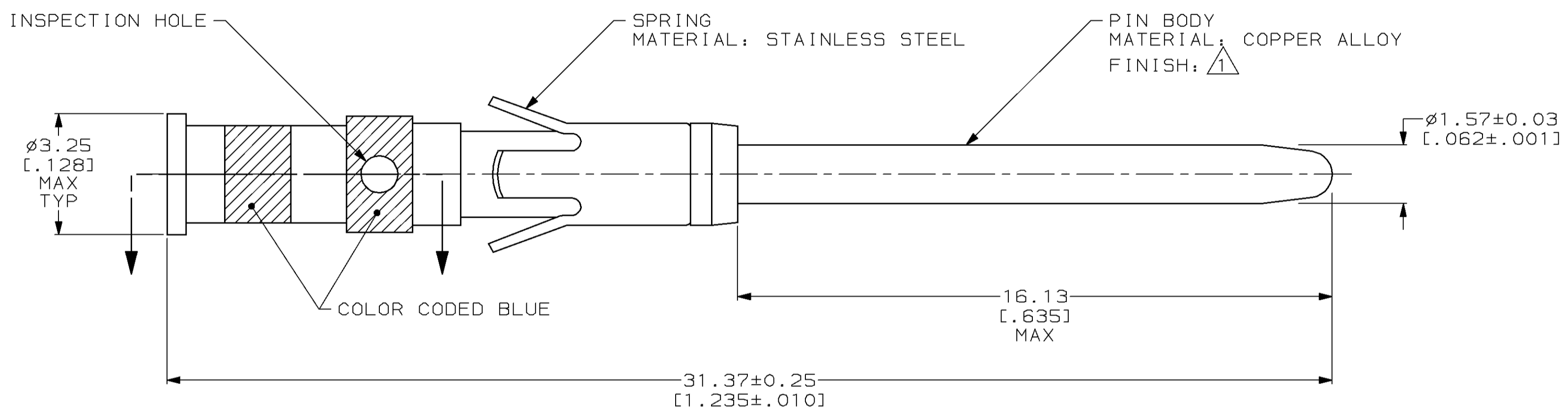
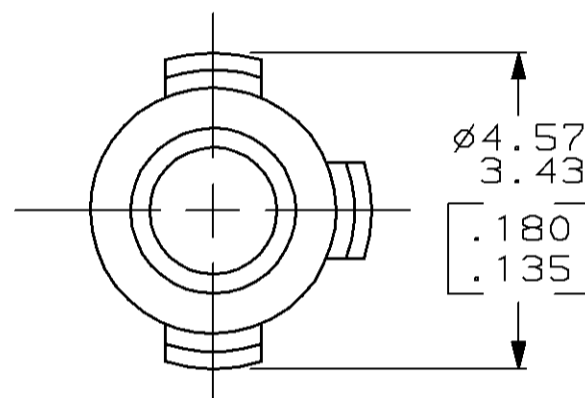
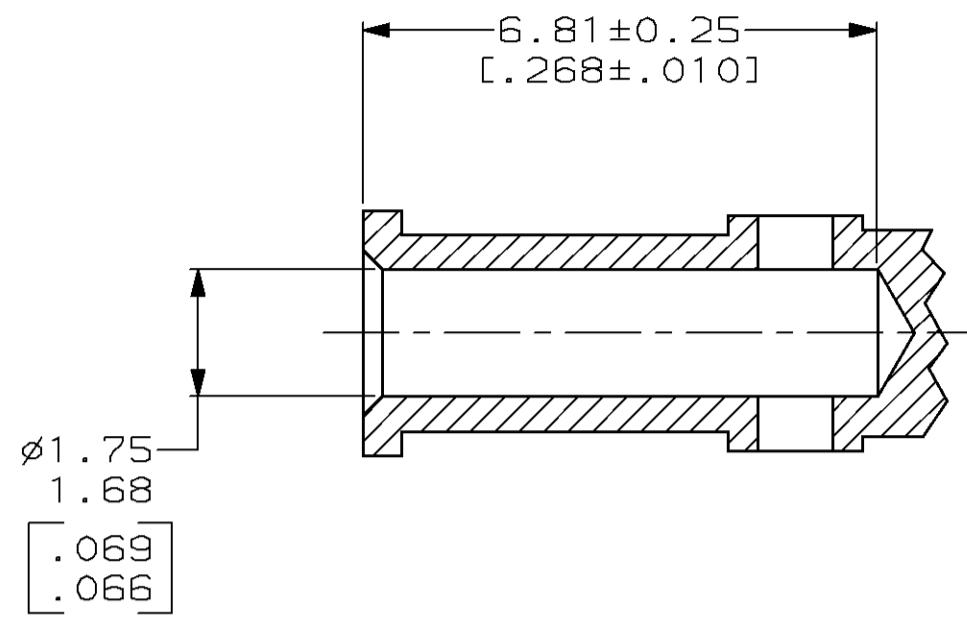


THIS DRAWING IS UNPUBLISHED. RELEASED FOR PUBLICATION
 © COPYRIGHT 19 BY AMP INCORPORATED. ALL RIGHTS RESERVED.

LOC		DIST		REVISIONS			
P	LTR	DESCRIPTION	DATE	DWN	APVD		
FT	8						
	K	REDRAWN W/O CHANGE PER EC 0320-109-96	04 DEC 97	-	-		



TAPE MTG DETAIL
SCALE 2:1

Δ 0.76µm [.000030] MIN GOLD OVER 1.27µm [.000050] MIN NICKEL.

TAPE MTD	204219-3
STANDARD	204219-1
PACKAGING TYPE	PART NUMBER

THIS DRAWING IS A CONTROLLED DOCUMENT.		DWN	B. CARBO	04 DEC 97
DIMENSIONS:		CHK	R. STONE	10 DEC 97
mm [INCHES]		APVD	G. STEINHAUER	06 JAN 98
TOLERANCES UNLESS OTHERWISE SPECIFIED:		PRODUCT SPEC	NAME	
0 PLC	±-	APPLICATION SPEC	AMP Incorporated Harrisburg, PA 17105-3608	
1 PLC	±-	WEIGHT	-	
2 PLC	±0.13 [.005]	CUSTOMER DRAWING	SCALE 10:1 SHEET 1 OF 1 REV K	
3 PLC	±-			
4 PLC	±-			
ANGLES	±-			
FINISH	SEE CALLOUTS			

204219