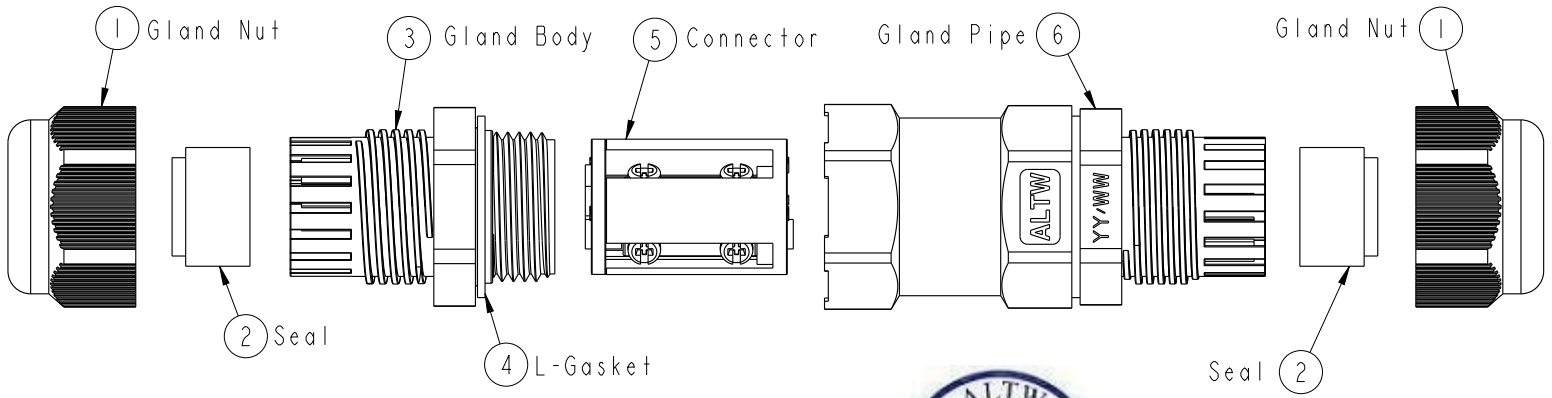
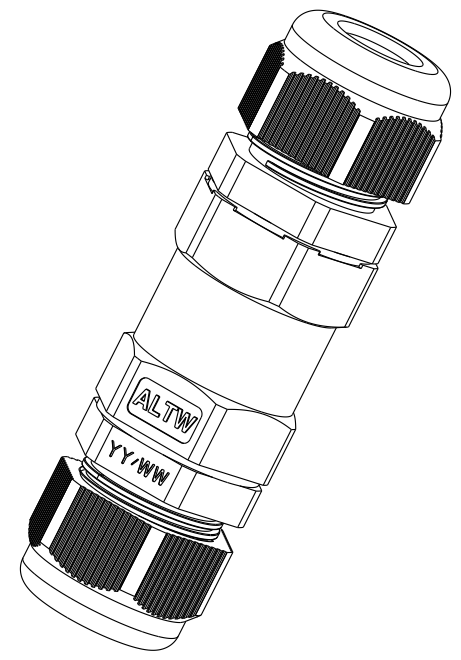
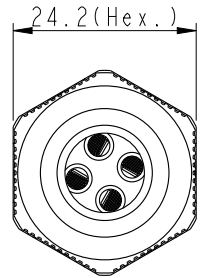
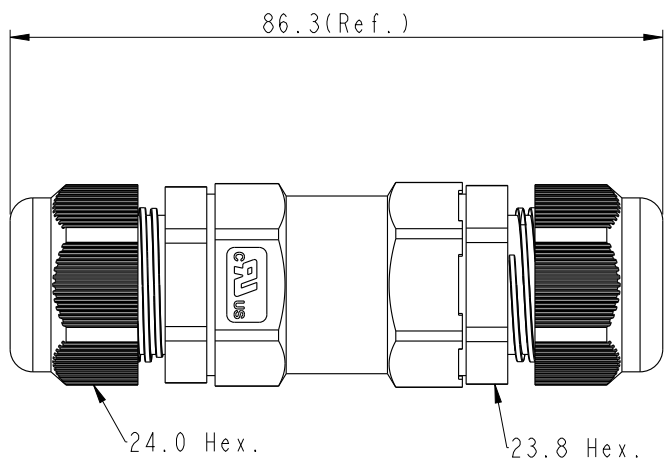
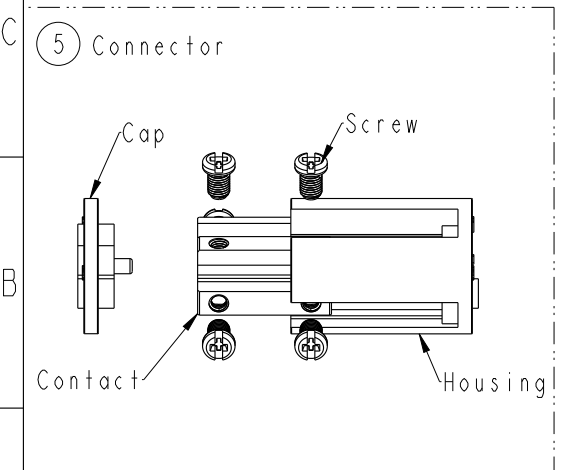


REV.	ECN NO.	DATE	SIGN	DESCRIPTION
A	Initial Release	2017/07/27	Lingpeng	New Item.
B	LEN17A0081~96	2017-10-14	Lingpeng	Add The Label And Change The Title



**ALTW**  
**CONFIDENTIAL**  
 2017-10-14  
**R&D DEPT.**

**ALTW**  
 DCC. DEPT.  
 CONFIDENTIAL  
 2017.10.25  
**ISSUED**



UNIT: mm		
TOLERANCE	.X ±0.25	
.XX ±0.1		
.XXX ±0.05		
ANGLES	±1°	

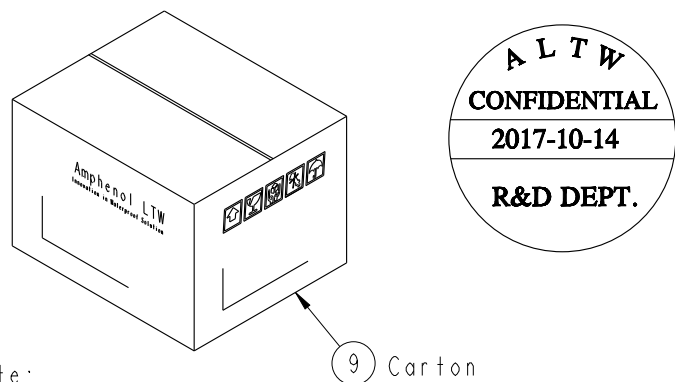
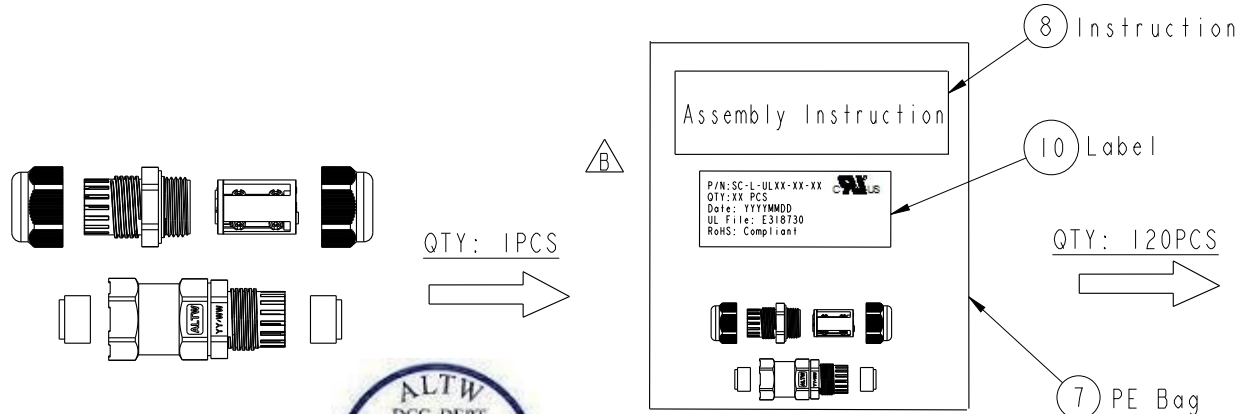
TITLE	UL12 Cable Joiner Screw-in Type		
SCALE	1:1	SIZE	A4
REV.	B	SHEET	1 OF 2
WC-REV.	A.2	QC: Inspection item	

**Amphenol LTW**  
 安費諾亮泰企業股份有限公司

ITEM NO.	DRAWN BY	DATE
	Lingpeng	2017-10-14
DWG NO.	CHECKED BY	DATE
SC-L-UL12-XX-XX	MaFei	2017-10-14
CUSTOMER	APPROVED BY	DATE
ALTW	Jerry	2017-10-14

THIS DOCUMENT IS SUBJECT TO CHANGE WITHOUT NOTICE. IT IS CONFIDENTIAL AND A PROPERTY OF Amphenol LTW. DISCLOSURE TO THIRD PARTY HAS TO BE AUTHORIZED BY Amphenol LTW.

THIS DOCUMENT IS SUBJECT TO CHANGE WITHOUT NOTICE. IT IS CONFIDENTIAL AND A PROPERTY OF Amphenol LTW. DISCLOSURE TO THIRD PARTY HAS TO BE AUTHORIZED BY Amphenol LTW.



Both A Unassembled product And An Instruction Are In A PE Bag.  
(將一套未組裝的產品和說明書，放置於一個PE袋，並封口)

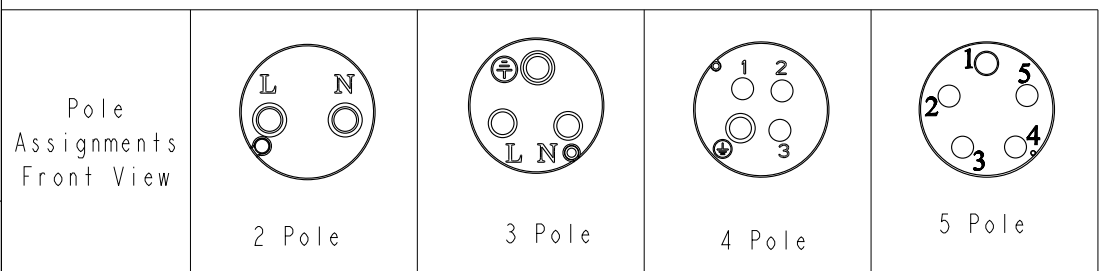
- Note:
- \* Important Dimension To Check.
  - \* Waterproof Rate: IP68 (50M,24H)
  - \* Housing & Cap: PA66+GF, Black.
  - \* Gland Pipe: PA66, Black.
  - \* Gland Body: PA66, Black.
  - \* Gland Nut: PA66, Black.
  - \* Contact: Brass, Nickel Plated
  - \* L-Gasket : Silicone, Yellow.
  - \* Seal: Silicone, Blue & Yellow & Green & Red.
  - \* Rated Voltage: 2~5 Pole 600V AC
  - \* Rated Current: 2 & 3 Pole Max. 20A ,  
4 Pole Max. 15A ,  
5 Pole Max. 8A.
  - \* Operating Temperature: -40°~+105°.
  - \* Gland Body Recommended Tightening Torque:  
8~10 Kgf.cm(0.78~0.98 N.m)
  - \* Gland Nut Recommended Tightening Torque:  
8~10 Kgf.cm(0.78~0.98 N.m)
  - \* Seal For Cable OD:  $\varnothing 4.5\sim\varnothing 6.5$ mm, Blue.  
 $\varnothing 6.5\sim\varnothing 8.5$ mm, Yellow.  
 $\varnothing 8.5\sim\varnothing 10.5$ mm, Green .  
 $\varnothing 10.5\sim\varnothing 11.5$ mm, Red.
  - \* Screws for Wire connection recommended tightening torque: 2.00~4.50 kgf.cm / 0.196~0.44 N.m
  - \* Applicable Wire gauge: 18AWG~12AWG(2~4 pole)  
18AWG~14AWG(5 pole)
  - \* UL2238 Certification

SC-L-UL12-XX-XX

L:Cable Joiner  
Type: UL12

Seal's Color: BL-Blue(藍色) For Cable Range:  $\varnothing 4.5\sim\varnothing 6.5$ mm  
 YW-Yellow(黃色) For Cable Range:  $\varnothing 6.5\sim\varnothing 8.5$ mm  
 GN-Green(綠色) For Cable Range:  $\varnothing 8.5\sim\varnothing 10.5$ mm  
 RD-Red(紅色) For Cable Range:  $\varnothing 10.5\sim\varnothing 11.5$ mm

No. of Conductor: 02-2Poles  
 03-3Poles  
 04-4Poles  
 05-5Poles



UNIT:mm		TITLE  UL12 Cable Joiner Screw-in Type		<b>Amphenol LTW</b>		ITEM NO	DRAWN BY	DATE
TOLERANCE .X $\pm 0.25$ .XX $\pm 0.1$ .XXX $\pm 0.05$ ANGLES $\pm 1^\circ$	SCALE 1:1	SIZE A4	SHEET 2 OF 2	<b>安費諾亮泰企業股份有限公司</b>		DWG NO SC-L-UL12-XX-XX	CHECKED BY MaFei	DATE 2017-10-14
	REV. B	WC-REV. A.2	Inspection item			CUSTOMER ALTW	APPROVED BY Jerry	DATE 2017-10-14