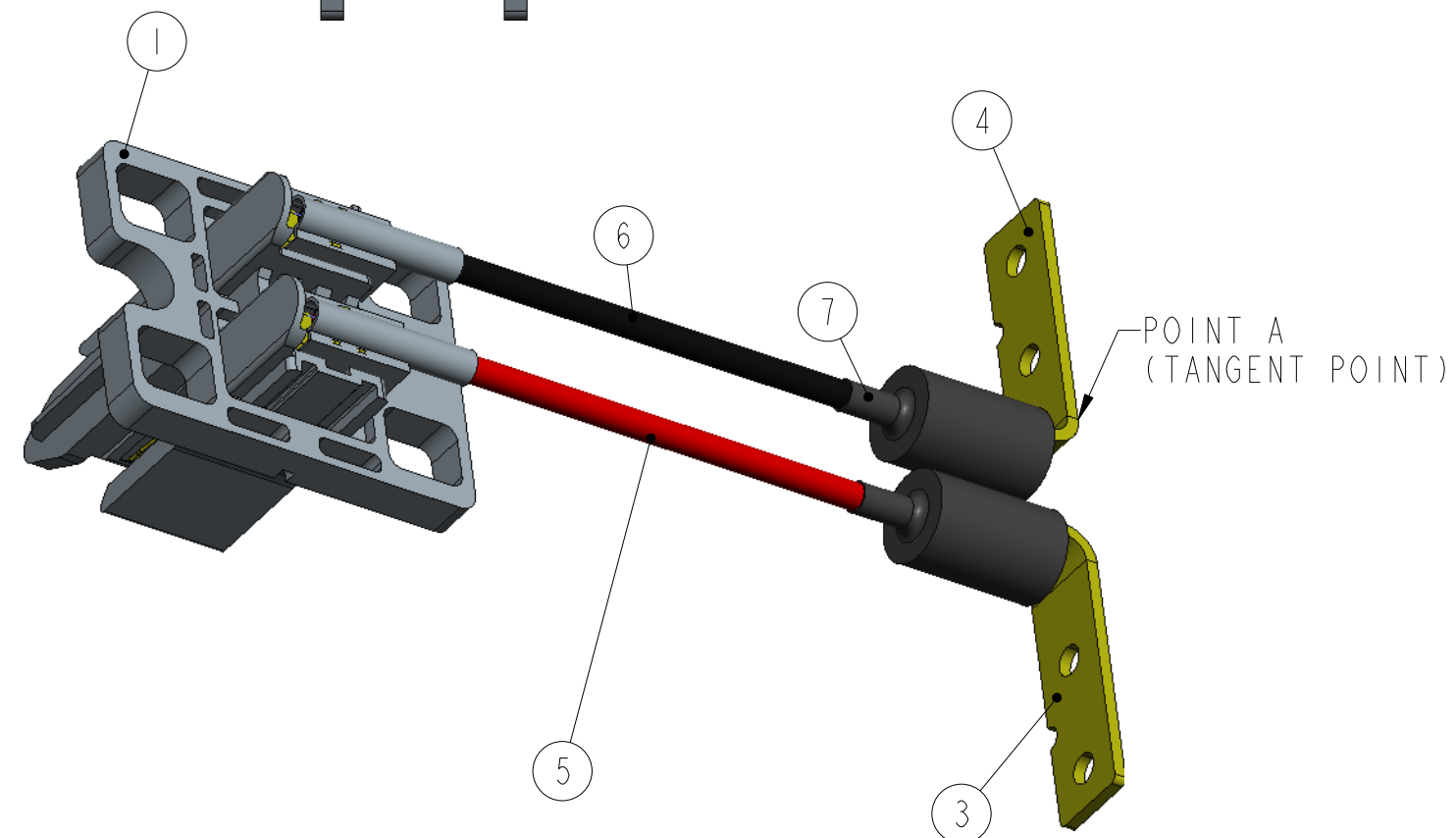
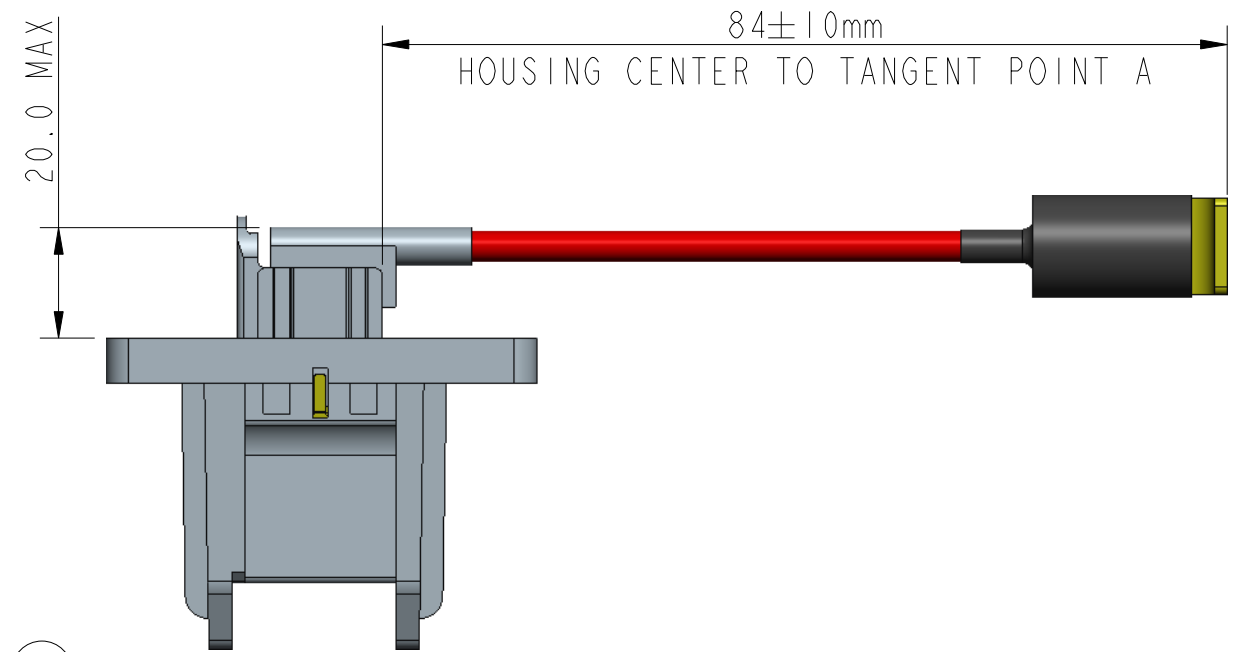
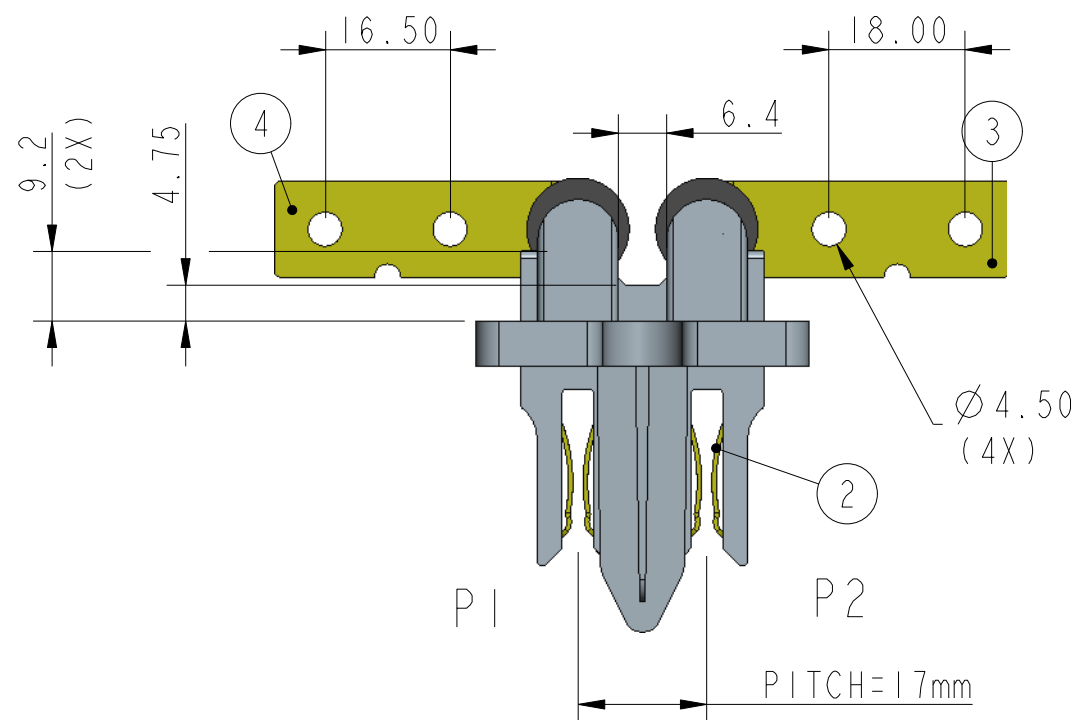


PART NUMBER	CUSTOMER P/N
10124234-12000ILF	JBR



ITEM NO.	PART NUMBER	DESCRIPTION	Q'TY
1	10124237-001	HOUSING, THERMOPLASTIC RESIN, UL94V-0	1
2	10124235-1200ILF	MATING CONTACT, HIGH CONDUCTIVITY COPPER ALLOY, TIN PLATED.	2
3	10124236-1200ILF	FLAT CONTACT, THROUGH HOLE PITCH=18.00mm HIGH CONDUCTIVITY COPPER ALLOY TIN PLATED	1
4	10124236-12002LF	FLAT CONTACT, THROUGH HOLE PITCH=16.50mm HIGH CONDUCTIVITY COPPER ALLOY TIN PLATED	1
5	10124238-12001	FLEXIBLE POWER WIRE, 12 AWG, UL 10070, 105°C, 600V RED INSULATION COLOR, LEGTH=105mm	1
6	10124238-12002	FLEXIBLE POWER WIRE, 12 AWG, UL 10070, 105°C, 600V BLACK INSULATION COLOR, LEGTH=105mm	1
7	10124239-12000	THERMAL SHRINKAGE TUBING, COLOR BLACK, 0.5mm THICKNESS. LENGTH 25mm MIN.	4

NOTES:
 (1) ELECTRICAL RATING: 600V, 20A
 (2) WORKING TEMPERATURE: -20~75°C
 (3) REFERENCE DOCUMENTS:
 PRODUCT SPECIFICATION: FCI-GS-12-1127
 PACKAGEING SPECIFICATION: FCI-GS-14-2295
 (4) RoHS COMPLIANT.

spec ref	dr Beer Fu	2013-02-01	projection	MM	size A3	scale 1:1			
tolerance std	eng Beer Fu	2013-02-01			ecn no ELX-T-19523	rel level RELEASED			
TOLERANCES UNLESS OTHERWISE SPECIFIED surface ✓	chr Beer Fu	2013-02-01					product family		
	appr Beer Fu	2013-02-01			title POWER CABLE FINAL ASSEMBLY	dwg no 10124234-12000ILF rev C			
	linear	0.X ±0.30	0.XX ±0.15	0.XXX ±0.05	angular	0° ±5°	www.fci.com	cat. no.	CUSTOMER



Copyright FCI.