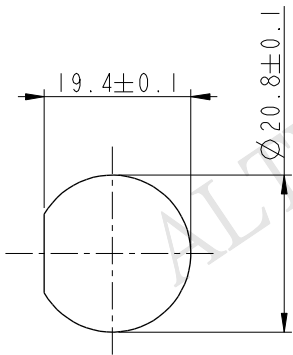
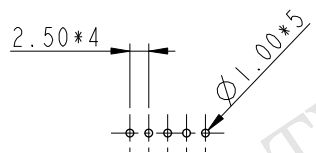


THIS DOCUMENT IS SUBJECT TO CHANGE WITHOUT NOTICE. IT IS CONFIDENTIAL AND A PROPERTY OF Amphenol LTW. DISCLOSURE TO THIRD PARTY HAS TO BE AUTHORIZED BY Amphenol LTW.

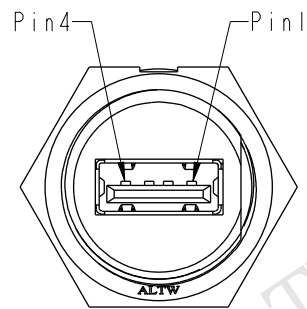
REV.	ECN NO.	DATE	SIGN	DESCRIPTION
D	LE31370270	2013/07/25	Cary	Add Half Finished
E	LEN1380180	2013/08/22	Cary	Update The View
F	LEN1640310	2016/04/13	Vicky	Update Logo



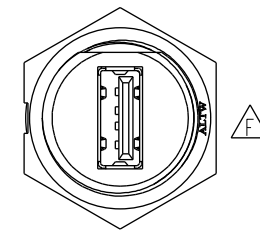
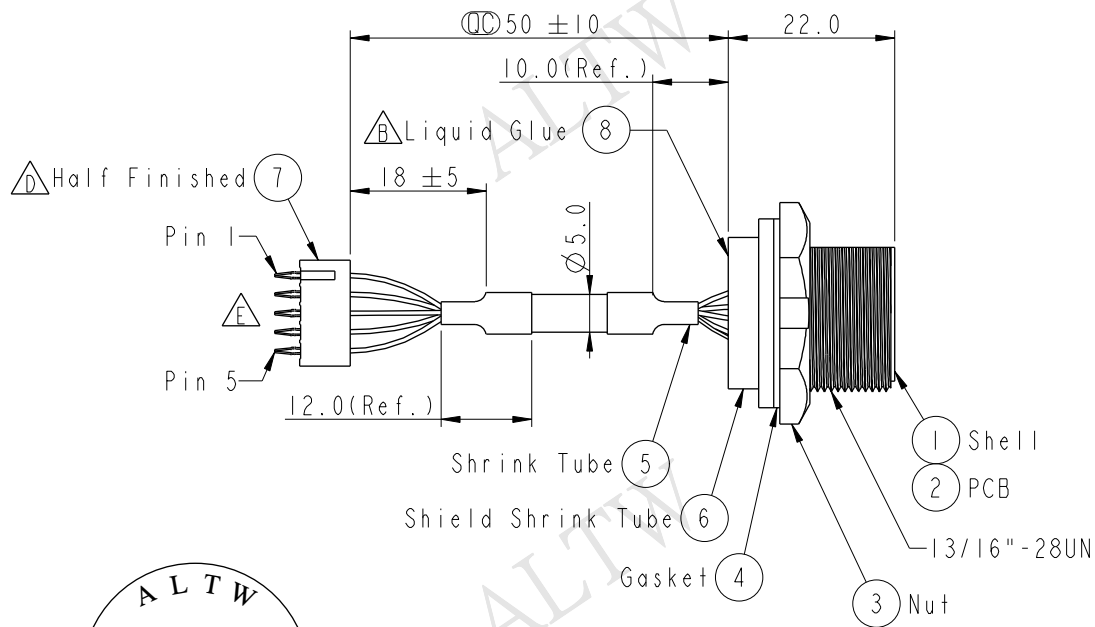
Recommended Panel Cut-Out



PCB Layout



Pin Assignments Front View



Waterproof Rate: IP68
IP68: 1M depth of water in 24hours

ALTW
CONFIDENTIAL
2016-04-13
R&D DEPT.

5	Drain	地線	Shield
4	Black	24AWG 黑	4
3	Green	28AWG 綠	3
2	White	28AWG 白	2
1	Red	24AWG 紅	1
Housing	Wire Color	Conn.	
Pin Out			

Twist

ALTW
DCC. DEPT.
CONFIDENTIAL
2016.04.25
ISSUED

Note:

- * CC Important Dimension.
- * Shell: ABS 94V-0, Black
- * Connector: USB A Female, Gold Plated
- * Gasket: EPDM, Black
- * Panel Nut: Nylon+GF, Black
- * Liquid Glue: Black
- * Housing: PH=2.50mm
- * Cable: USB2.0 28AWG*1P+24AWG*2C+AL/MY+D+B, Black PVC Jacket Resist UV, OD=5.0mm
- * Use with waterproof cap or dust cap For Panel Thickness Max: 2.8mm
- * Use without waterproof cap or dust cap For Panel Thickness Max: 4.0mm

UNIT:mm		
TOLERANCE		
.X	±0.25	
.XX	±0.1	
.XXX	±0.05	
ANGLES	±1°	

TITLE Panel Screw 20A M Conn. F Pin			
SCALE 1:1	SIZE A4	SHEET 1 OF 1	
REV. F	WC-REV. C.2	CC : Inspection item	

Amphenol LTW
安費諾亮泰企業股份有限公司

ITEM NO	DRAWN BY	DATE
UA-20PMFP-SC8002	Vicky	2016-04-13
DWG NO	CHECKED BY	DATE
UA-20PMFP-SC8002	Rita	2016-04-13
CUSTOMER	APPROVED BY	DATE
ALTW	Lisa	2016-04-13