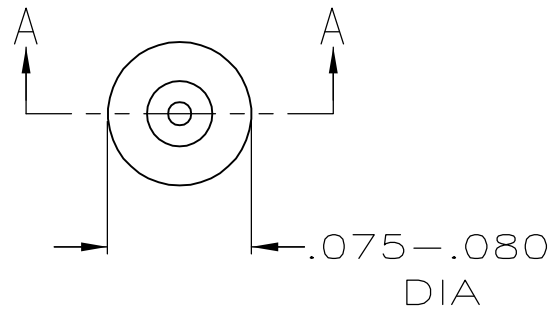
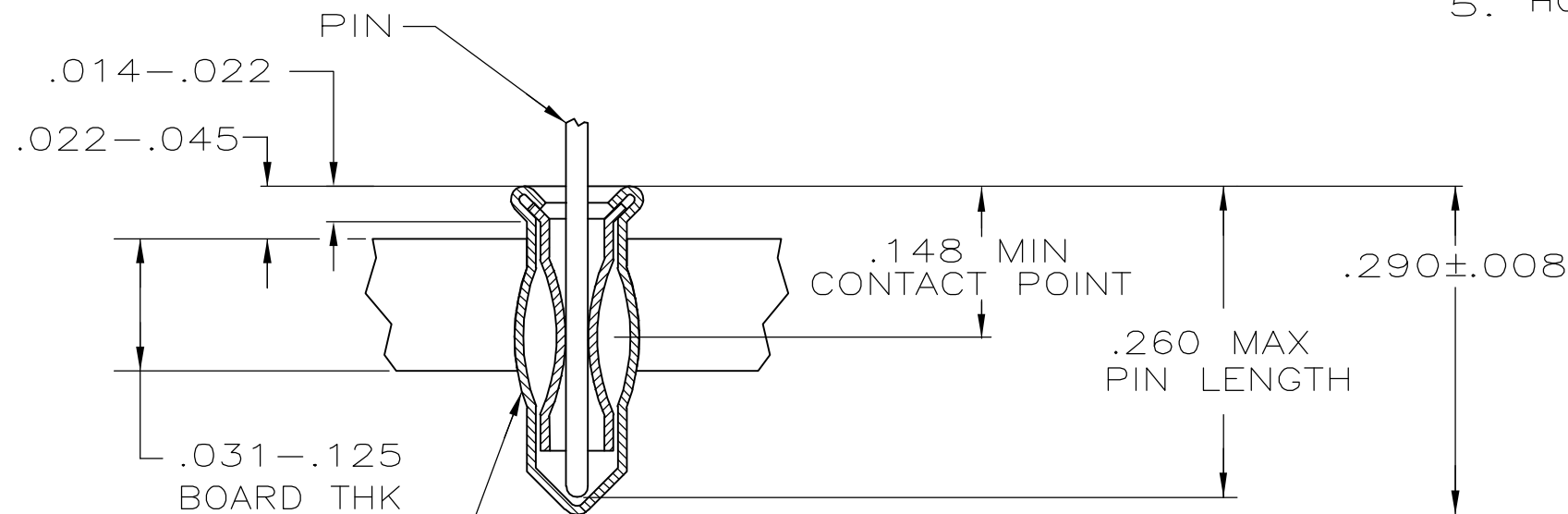


THIS DRAWING IS UNPUBLISHED. RELEASED FOR PUBLICATION
 © COPYRIGHT - BY TYCO ELECTRONICS CORPORATION. ALL RIGHTS RESERVED.

| LOC | DIST | REVISIONS | | | |
|-----|------|---------------------------|---------|-----|------|
| P | LTR | DESCRIPTION | DATE | DWN | APVD |
| | A | REVISED PER ECO-06-001742 | 31JAN06 | JDP | JGH |



- MATERIAL:
 EYELET - COPPER PER ASTM B 152
 SPRING - BERYLLIUM COPPER PER ASTM B 194
- TIN PLATE PER ASTM B 545 .000100 MIN THICK.
- GOLD PLATE PER ASTM B 488 .000030 MIN THICK OVER NICKEL PLATE PER QQ-N-290 ON CONTACT AREA.
- TO INSURE 1/2 OZ MIN RETENTION DO NOT EXCEED .004 DIFFERENCE IN PIN DIA WHEN CHANGING TO A SMALLER DIA PIN
- HOLE SIZE FOR HAND INSERTION .063-.066



MSS INSERTION MACHINE CAPABLE OF OVALIZING SOCKET FOR RETENTION IN PC BOARD WITH .063±.003 DIA HOLE PRIOR TO SOLDERING OPERATION

| | | | | |
|-----------|----------------|-----------------|----------------|-----------|
| .148/.260 | .028/.033 | GOLD $\Delta 3$ | TIN $\Delta 2$ | 5645988-2 |
| | | TIN $\Delta 2$ | | 5645988-1 |
| LENGTH | DIA $\Delta 4$ | SPRING | EYELET | PART NO |
| PIN | | FINISH | | |

| | | | | | | | | | | | | | | | | |
|--|---------------------|-------------------------------------|---|--------------------|-----|-------|-----|-------|-----|-------|-----|--------|-----|-------------------------------|------------|--------------------|
| THIS DRAWING IS A CONTROLLED DOCUMENT. | | DWN L. VARELA - DOCKS 19APR05 | Tyco Electronics Corporation Harrisburg, PA 17105-3608 | | | | | | | | | | | | | |
| DIMENSIONS: INCHES | | CHK J. HAVENER 19APR05 | NAME MINIATURE SPRING SOCKET ASSEMBLY | | | | | | | | | | | | | |
| TOLERANCES UNLESS OTHERWISE SPECIFIED: | | APVD J. HAVENER 19APR05 | PRODUCT SPEC 108-14008 | | | | | | | | | | | | | |
| <table border="0"> <tr><td>0 PLC</td><td>± -</td></tr> <tr><td>1 PLC</td><td>± -</td></tr> <tr><td>2 PLC</td><td>± -</td></tr> <tr><td>3 PLC</td><td>± -</td></tr> <tr><td>4 PLC</td><td>± -</td></tr> <tr><td>ANGLES</td><td>± -</td></tr> </table> | | 0 PLC | ± - | 1 PLC | ± - | 2 PLC | ± - | 3 PLC | ± - | 4 PLC | ± - | ANGLES | ± - | APPLICATION SPEC 114-13152 | SIZE A3 | CAGE CODE 00779 |
| 0 PLC | ± - | | | | | | | | | | | | | | | |
| 1 PLC | ± - | | | | | | | | | | | | | | | |
| 2 PLC | ± - | | | | | | | | | | | | | | | |
| 3 PLC | ± - | | | | | | | | | | | | | | | |
| 4 PLC | ± - | | | | | | | | | | | | | | | |
| ANGLES | ± - | | | | | | | | | | | | | | | |
| MATERIAL NOTE 1 | FINISH SEE TABLE | WEIGHT - | DRAWING NO C=5645988 | RESTRICTED TO - | | | | | | | | | | | | |
| CUSTOMER DRAWING | | | SCALE 10:1 | SHEET 1 OF 1 | | | | | | | | | | | | |
| | | | REV A | | | | | | | | | | | | | |