

## Description

The NIS5132 is a self-protected resettable electronic fuse designed for consumer applications such as hard disk drives, to industrial applications to enhance system reliability against catastrophic and shutdown failures.

To support a wide range of demanding applications, the design has been optimized to operate over the supply range of 9.0V to 18V. For robustness and protections, the device integrates a low  $R_{DS(ON)}$  NMOS buffer power device along with an undervoltage lockout, overvoltage clamp, a current limit, a  $dv/dt$  control and a thermal shutdown circuits. The overvoltage circuit limits the output voltage without shutting the device down to allow the load to continue operating during over voltage. Thermal shutdown can be either latching type (NIS5132MN1) or auto-retry type (NIS5132MN2).

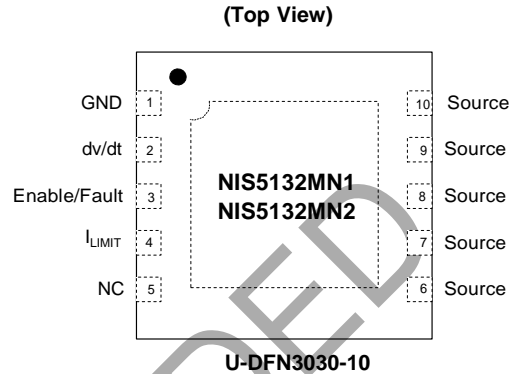
## Features

- 9.0 to 18V Operating Input Voltage
- Integrated NMOS Power Device with  $R_{DS(ON)}$  of 30m $\Omega$  Typical
- Internal Current Limit - No External Current Sense Resistor in Load Path
- Under Voltage Lockout
- Over Voltage Clamp (NIS5132MN1 and NIS5132MN2)
- Thermal Shutdown
- -40°C to +150°C Operating Junction Temperature
- ESD Ratings: HBM > 1500V; MM 200V
- Small Low Profile U-DFN3030-10 Package
- UL Recognized, Report E322375-20140529
- **Lead-Free Finish; RoHS Compliant (Notes 1 & 2)**
- **Halogen and Antimony Free. "Green" Device (Note 3)**

Notes:

1. EU Directive 2002/95/EC (RoHS) & 2011/65/EU (RoHS 2) compliant. All applicable RoHS exemptions applied.
2. See [http://www.diodes.com/quality/lead\\_free.html](http://www.diodes.com/quality/lead_free.html) for more information about Diodes Incorporated's definitions of Halogen- and Antimony-free, "Green" and Lead-free.
3. Halogen- and Antimony-free "Green" products are defined as those which contain <900ppm bromine, <900ppm chlorine (<1500ppm total Br + Cl) and <1000ppm antimony compounds.

## Pin Assignments



## Applications

- Hard Drives
- Mother Board Power Management
- Printer Load Power Management

## Typical Application Circuits

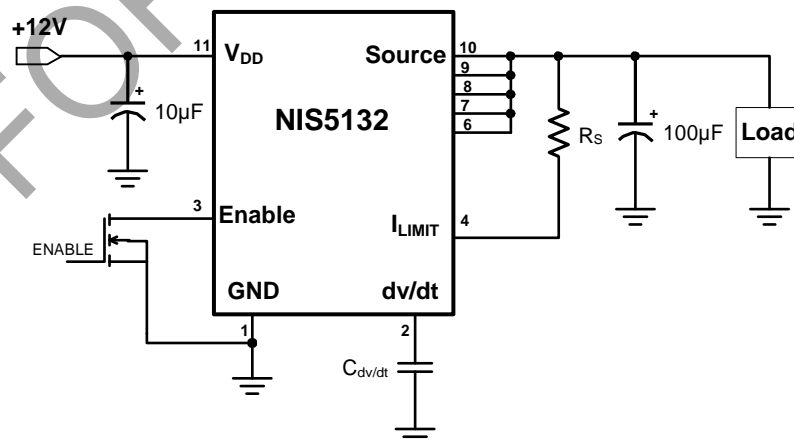


Figure 1. Application Circuit with Direct Current Sensing

**Typical Application Circuits** (Cont.)

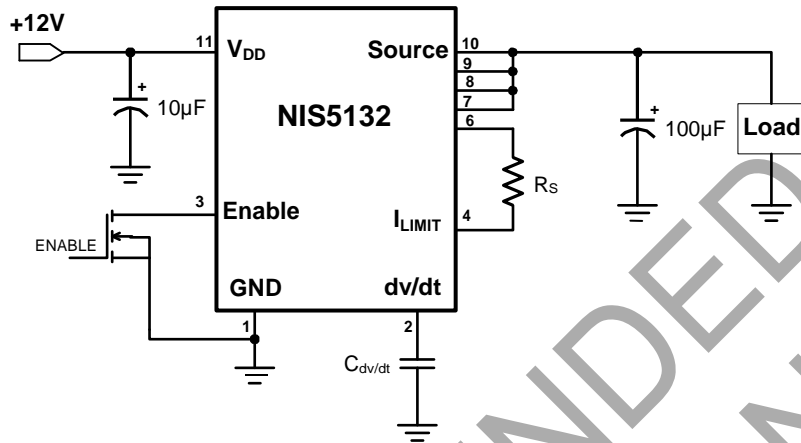


Figure 2. Application Circuit with Kelvin Current Sensing

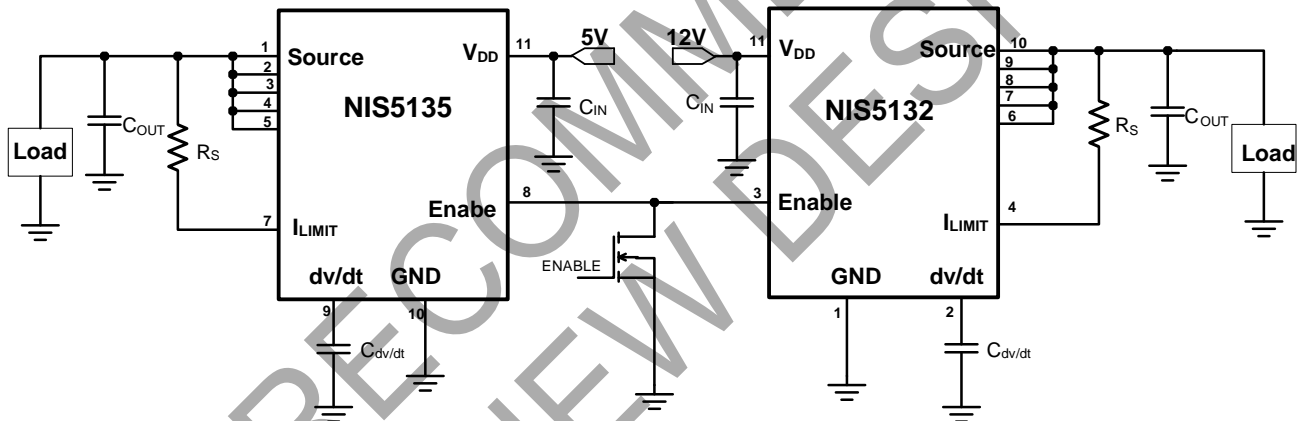


Figure 3. Application Circuit with Common Thermal Shutdown

**Pin Descriptions**

Package: U-DFN3030-10

Pin Number	Pin Name	Function
1	GND	Ground pin
2	dv/dt	Internal NMOS power device turn-on time adjustment pin: If this pin is left unconnected, the internal capacitor ensures the turn-on ramp is over a period of 2ms typical. If an additional delay is required, connect a capacitor from this pin to the ground.
3	Enable/Fault	Tri-state bi-directional interface pin: The output can be disabled by pulling this pin to ground through an open drain or an open collector. Additionally, this pin output goes to an intermediate state to indicate that the device is in thermal shutdown state. This pin can also be connected together with other NIS5132 devices to cause a system-wide simultaneous shutdown during thermal events.
4	I <sub>LIMIT</sub>	Current limit setting pin: A resistor between Source pins and this pin sets the overload and short-circuit current limit thresholds.
5	NC	No connection
6 to 10	Source	The internal NMOS power device's Source pins: These pins are the Source of internal power device and also the output terminal of the electronic fuse
Exposed PAD	V <sub>DD</sub>	Positive input voltage to the device

**Functional Block Diagram**

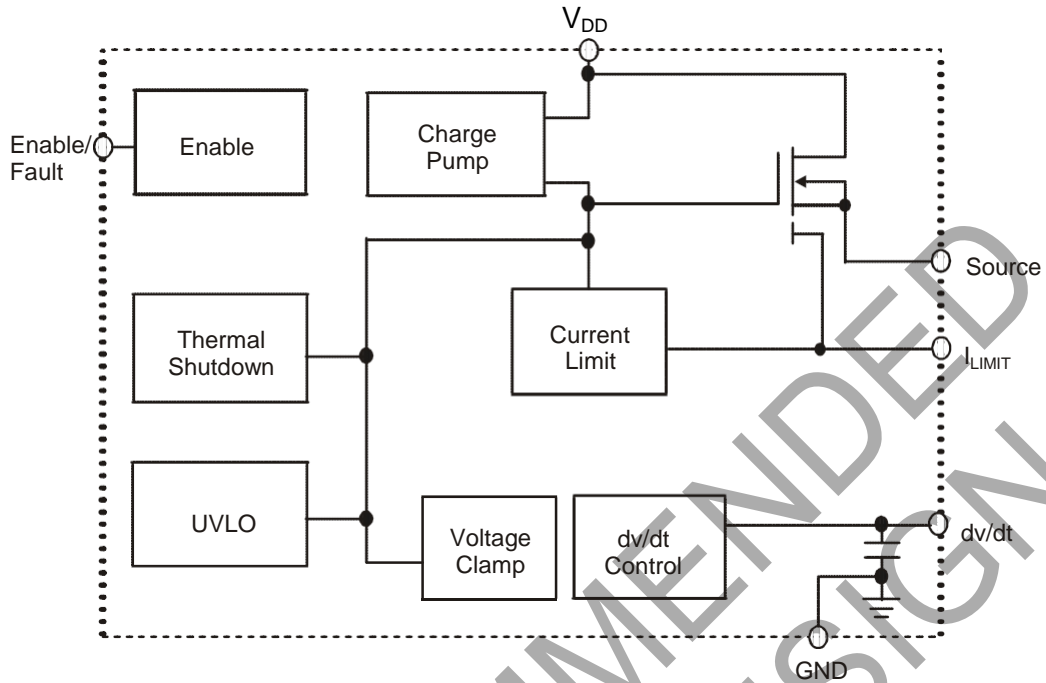


Figure 4. Block Diagram

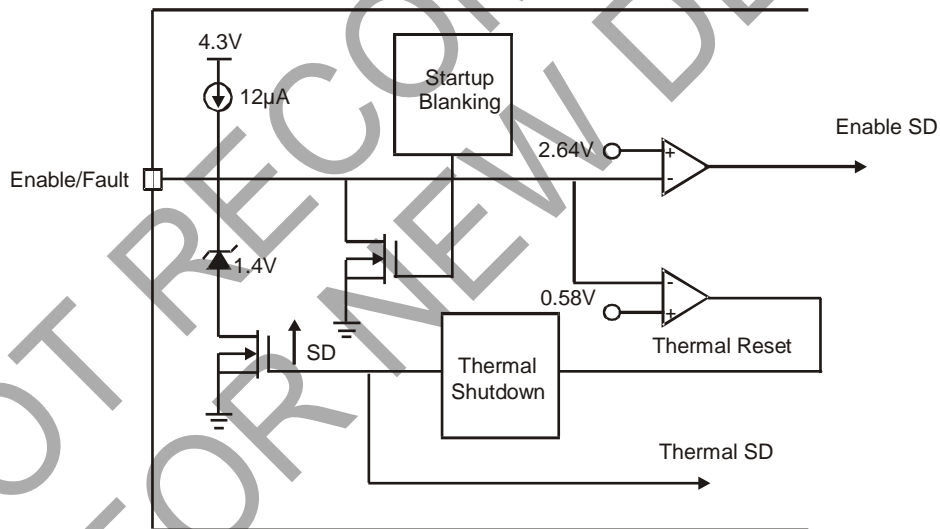


Figure 5. Enable/Fault Function Circuit

**Absolute Maximum Ratings** (Note 4) (@T<sub>A</sub> = +25°C, unless otherwise specified.)

Symbol	Characteristic	Value	Unit
V <sub>DD</sub>	Input Voltage in Steady State Operating Conditions (Note 5)	-0.6 to +18	V
	Input Voltage - Transient (100ms)	-0.6 to +25	
θ <sub>JA</sub>	Junction to Air Thermal Resistance	0.1 in <sup>2</sup> (Note 6)	227
		0.5 in <sup>2</sup> (Note 6)	95
θ <sub>JL</sub>	Junction to Lead Thermal Resistance	27	°CW
θ <sub>JC</sub>	Junction to Case Thermal Resistance	20	
P <sub>DMAX</sub>	Package Power Dissipation at T <sub>A</sub> = +25°C	1.3	W
—	Thermal Derating Above +25°C	10.4	mW/°C
T <sub>S</sub>	Storage Temperature Range	-55 to +155	°C
T <sub>J</sub>	Operating Junction Temperature (Note 7)	-40 to +150	°C
T <sub>L</sub>	Lead Temperature During Soldering (10s)	+260	°C

- Notes:
4. Stresses greater than the 'Absolute Maximum Ratings' specified above may cause permanent damage to the device. These are stress ratings only; functional operation of the device at these or any other conditions exceeding those indicated in this specification is not implied. Device reliability may be affected by exposure to absolute maximum rating conditions for extended periods of time.
  5. Negative voltage will not damage the device provided that the power dissipation is within the package dissipation rating.
  6. 1 oz copper on double sided FR-4 PCB.
  7. Thermal limit is set above the maximum thermal rating. It is not recommended to operate the device at temperature above the maximum rating for extended period.

**Recommended Operating Conditions**

Symbol	Characteristic	Test Condition	Rating	Unit
V <sub>DD</sub>	Supply Voltage	Operating	9.0 to 18.0	V
T <sub>J</sub>	Operating Junction Temperature Range	Operating	-40 to +150	°C

NOT RECOMMENDED FOR NEW DESIGN

**Electrical Characteristics** ( $V_{DD} = 12V$ ,  $C_L = 100\mu F$ ,  $dv/dt$  pin open,  $R_{LIMIT} = 10\Omega$ , and  $T_A = +25^\circ C$ , unless otherwise noted.)

Symbol	Characteristic	Test Condition	Min	Typ	Max	Unit
<b>Device</b>						
$I_{BIAS}$	Bias Current	Device operational	—	0.8	1.5	mA
$I_{BIAS\_SD}$	Bias Current During Shutdown	Device shutdown	—	0.4	—	mA
$V_{DD\_MIN}$	Minimum Operating Voltage Once Successfully Started Up	—	—	—	7.6	V
<b>NMOS Power Device</b>						
$t_{DLY}$	Chip Enable Delay Time	Enabling of the IC to $I_D = 100mA$ (with 1A resistive load)	—	220	—	$\mu s$
$R_{DS(ON)}$	NMOS Drain to Source Kelvin ON Resistance (Note 8)	NMOS fully on	20	30	40	m $\Omega$
		NMOS fully on, $T_J = +140^\circ C$	—	45	—	
$V_{OUT\_OFF}$	Off State Output Voltage	$V_{DD} = 18V$ , $V_{GS} = 0V$ , $R_L = \infty$	—	0.19	0.3	V
$I_D$	Continuous Current (Note 9)	$T_A = +25^\circ C$ , 0.5 in. <sup>2</sup> pad	—	3.6	—	A
		$T_A = +80^\circ C$ , min copper	—	1.7	—	
—	Output Capacitance	$V_{DS} = 12V$ , $V_{GS} = 0V$ , $f = 1MHz$	—	250	—	pF
<b>dv/dt Ramp</b>						
$t_{SLEW}$	Output Voltage Ramp Time	Device enable to $V_{DS} = 11.7V$	1.5	1.8	2.5	ms
$V_{C\_MAX}$	Maximum Capacitor Voltage	—	—	—	$V_{DD}$	V
<b>Under/Over Voltage Protection</b>						
$V_{UVLO}$	Undervoltage Lockout Threshold	Turn on, Voltage rising	7.7	8.5	9.3	V
$V_{UVLO\_HYST}$	Undervoltage Lockout Hysteresis	—	—	0.80	—	V
$V_{CLAMP}$	Overvoltage Clamp Limit (Note 10)	During overvoltage protection, $V_{DD} = 18V$	14	15	16.2	V
<b>Current Limit</b>						
$I_{LIMIT\_SS}$	Kelvin Short Circuit Current Limit (Note 11)	$R_{LIMIT} = 15.4\Omega$	2.75	3.44	4.25	A
$I_{LIMIT\_OL}$	Kelvin over Load Current Limit (Note 11)	$R_{LIMIT} = 15.4\Omega$	3.5	4.6	6.0	A
<b>Thermal Protection</b>						
$T_{SD}$	Thermal Shutdown Junction Temperature Threshold (Note 9)	Temperature rising	+150	+175	+200	$^\circ C$
$T_{SD\_HYST}$	Thermal Shutdown Hysteresis in Non Latching Devices	—	—	+45	—	$^\circ C$
<b>Enable/Fault</b>						
$V_{EN\_LOW}$	Enable Logic Level Low Voltage	Output disabled	0.35	0.58	0.81	V
$V_{EN\_MID}$	Enable Logic Level Mid Voltage	Output disabled, Thermal fault	0.82	1.4	1.95	V
$V_{EN\_HI}$	Enable Logic Level High	Output enabled	1.96	2.64	3.3	V
$V_{EN\_MAX}$	High State Maximum Voltage	—	3.4	4.3	5.3	V
$I_{EN\_SINK}$	Logic Low Sink Current	$V_{ENABLE} = 0V$	—	-17	-25	$\mu A$
$I_{EN\_LKG}$	Logic High Leakage Current for External Switch	$V_{ENABLE} = 3.3V$	—	—	1.0	$\mu A$
Fanout	Maximum Fanout – Number of Device that can be Connected Together to this Pin for Simultaneous Shutdown	—	—	—	3.0	Units

Notes:  
 8. Pulse test with pulse width of 300 $\mu s$ , duty cycle 2%.  
 9. This parameter is not tested in production. It is guaranteed by design, process control and characterization.  
 10. Over voltage clamp feature is available on in NIS5132MN1 and NIS5132MN2 versions.  
 11. Refer to application note on explanation on short circuit and overload conditions.

**Performance Characteristics**

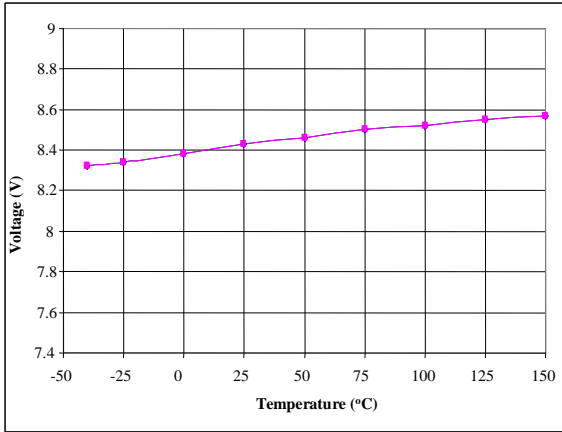


Figure 6. UVLO Turn-On Voltage vs. Temperature

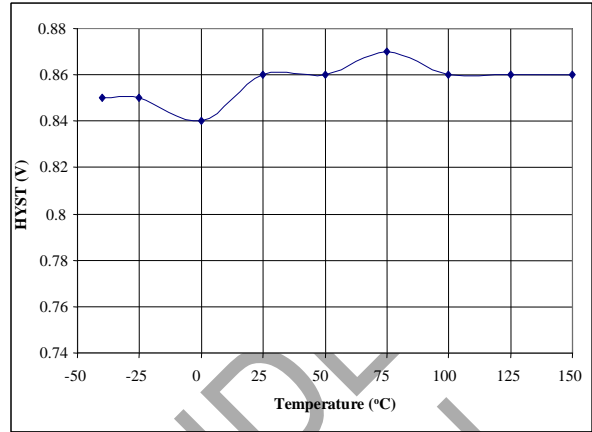


Figure 7. UVLO Hysteresis vs. Temperature

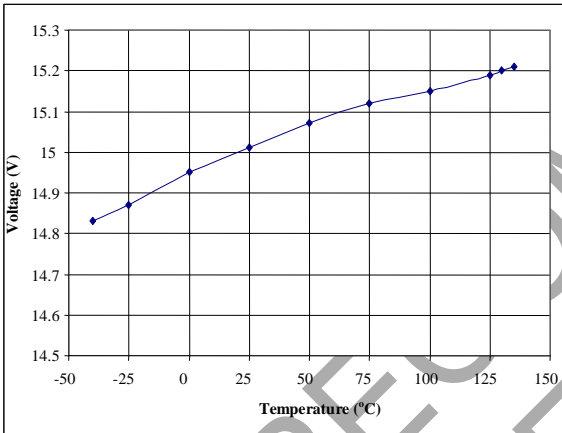


Figure 8. Output Clamp Voltage vs. Temperature

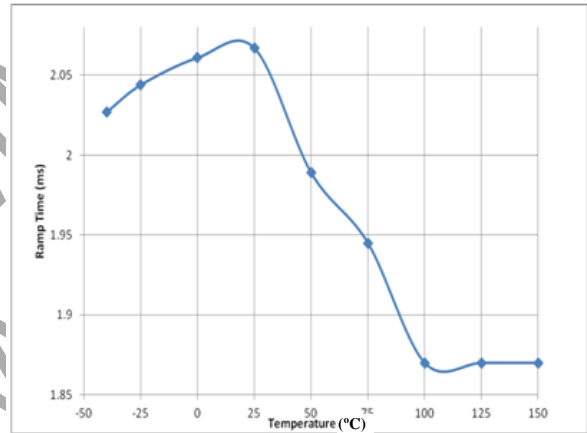


Figure 9. Output Voltage dv/dt Ramp Time vs. Temperature



Figure 10. Input Transient Response

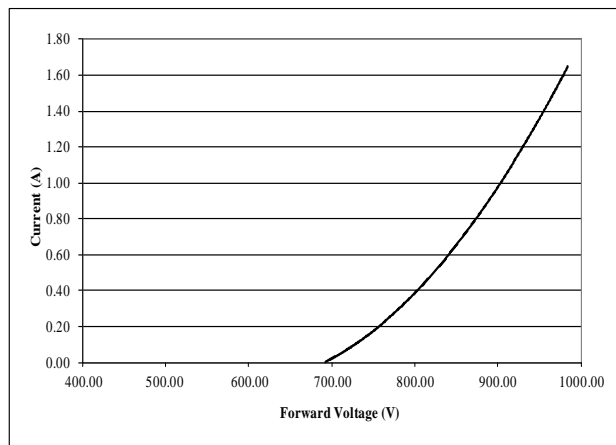


Figure 11. Body Diodes Forward Characteristics

**Performance Characteristics (Cont.)**

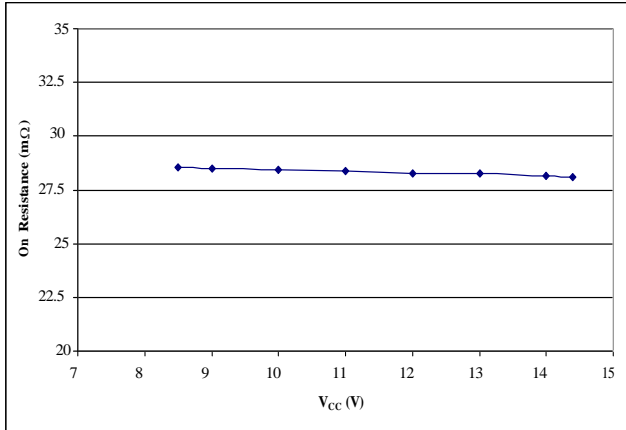


Figure 12. Power Device ON Resistance ( $R_{DS(ON)}$ ) vs.  $V_{CC}$

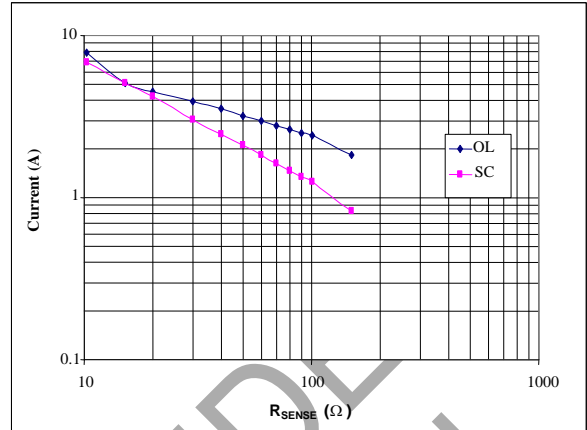


Figure 13. Current Limit vs.  $R_{SENSE}$  for Direct Current Sensing

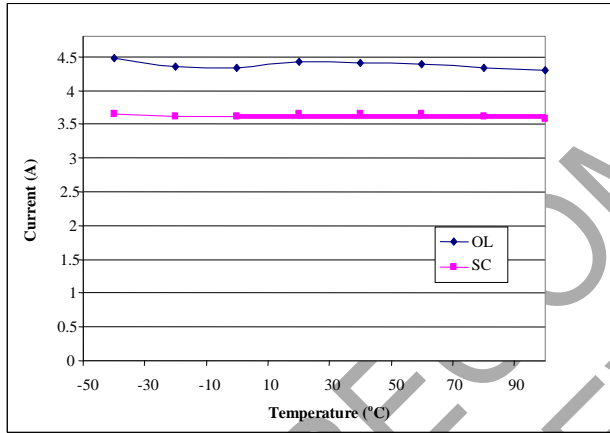


Figure 14. Direct Current Sensing Level vs. Temperature ( $R_{SENSE} = 27\Omega$ )

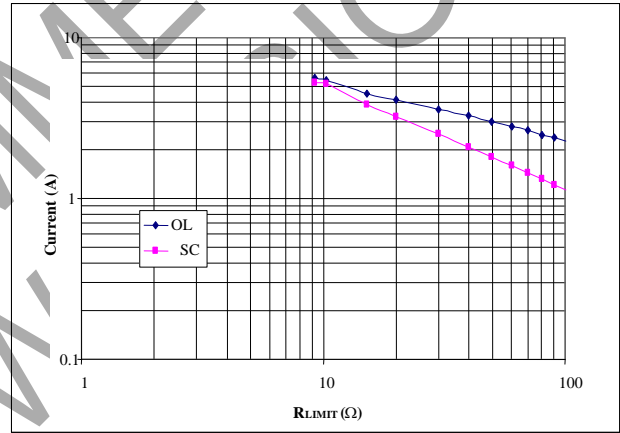


Figure 15. Current Limit vs.  $R_{SENSE}$  for Kelvin Current Sensing

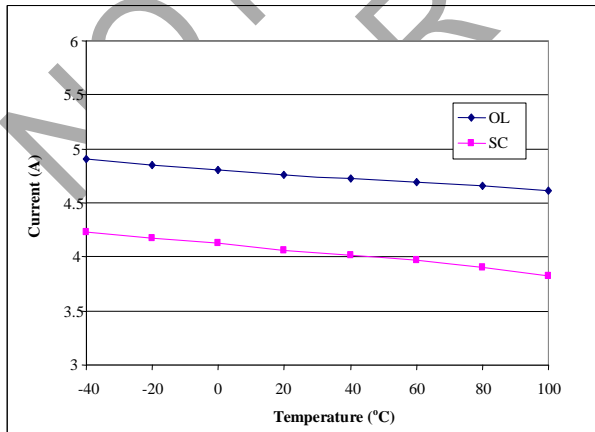


Figure 16. Kelvin Current Sensing Levels vs. Temperature ( $R_{SENSE} = 15\Omega$ )

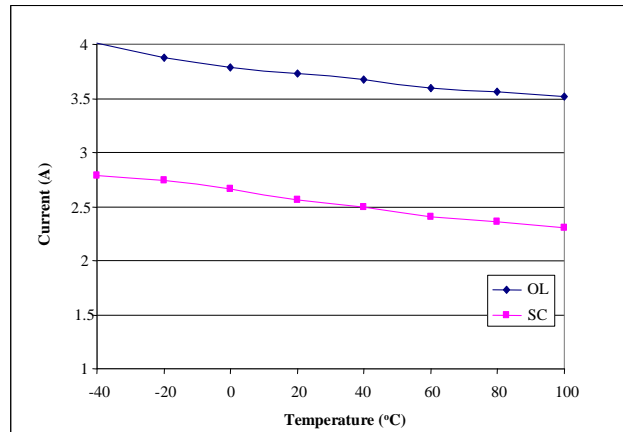


Figure 17. Kelvin Current Sensing Levels vs. Temperature ( $R_{SENSE} = 33\Omega$ )

## Application Note

### Theory of Operation

The NIS5132 is a self-protected, resettable electronic fuse. It monitors the input and output voltage, the output current and the die temperature. When the NIS5132 is powered up it will ramp up the output voltage based on the dv/dt setting (see description below) and current will begin to flow. The device current limit can be set with an external resistor, the ramp rate (dv/dt) can be adjusted with an external capacitor. The Overvoltage Clamp, Undervoltage Lockout and Thermal Protection are internally set.

### Power Supply Considerations

Placing a high-value electrolytic capacitor or X7R (X5R) ceramic capacitor between V<sub>DD</sub> to GND (10μF) and Source to GND (100μF) as close to the device as possible is highly recommended. This precaution reduces power-supply transients that may cause ringing on the input and load transients that may cause output voltage falls below input voltage resulting device over-heat.

### Current Limit

The NIS5132 incorporates a sensefet with a reference and amplifier to control the current in the device. The sensefet uses a small fraction of the load current to measure the actual current. This reduces the losses as a smaller sense resistor can be used. The current can be measured direct with the R<sub>S</sub> resistor connected between the load and the I<sub>LIMIT</sub> pin (see Figure 1). That method includes the resistance of the bond wires in the current limiting circuit. Or a Kelvin connection (see Figure 2) can be used, in that case one of the 5 source pins will be used and the voltage is measured on the die eliminating the bond wire resistance. That reduces the source pins to the load to four and with that increases the on resistance of the effuse to the load.

### Overvoltage Clamp

The NIS5132MN1 and NIS5132MN2 monitor the input voltage and clamp it once it exceeds 15V. This will allow for transient on the input for short periods of time. If the input voltage stays above 15V for extended time the voltage drop across the FET with the load current will increase the die temperature and the thermal shutdown feature will protect the device and shut it down.

### Undervoltage Lock Out

The input voltage of the NIS5132 is monitored by an UVLO circuit (undervoltage lockout) if the input voltage drops below this threshold the output transistor will be pulled into a high impedance state.

### dv/dt

The NIS5132 has an integrated control circuit that forces a linear ramp on the output voltage raise regardless of the load impedance. Without connecting a capacitor on the dv/dt pin the ramp time is roughly 2ms. Adding an external capacitor can increase this ramp rate. The internal current source of 90μA will charge the external capacitor at a slow rate. It is recommended to utilize a ceramic capacitor.

The ramp time can be determined with the following equation

$$t_{ramp} = 24e^6(50pF + C_{ext})$$

$$C_{ext} = \frac{t_{ramp}}{24e^6} - 50pF$$

C<sub>ext</sub> in Farad  
t<sub>ramp</sub> in seconds

The ramp up circuit is discharged and V<sub>OUT</sub> starts from 0V when the units shut down after a fault, enable shutdown or input power cycle.

### Enable/Fault

The NIS5132 has a tri state Enable/Fault pin. It is used to turn on and off the device with high and low signals from a GPIO, but can also indicate a thermal fault. When the Enable/Fault pin is pulled low the output is turned off, when the Enable/Fault pin is pulled high the output is turned on. In the event of a thermal fault the Enable/Fault pin will be pulled low to an intermediate voltage by an internal circuit. This can be used to chain up to 4 NIS5132 together that during a thermal shut down the linked devices turn off as well.

Due to this fault indication capability it should not be connected to any type of logic with an internal pull up device.

The NIS5132MN1 connected to a 2<sup>nd</sup> device will latch-off until the Enable/Fault pin has been pulled to low and then allowed to go back up to a high signal, or if the power has been cycled. Once the part starts up again it will go through the startup ramp determined by the internal circuit or based on the externally connected capacitor on pin dv/dt.

The MN2 devices will auto restart once the part that indicated a thermal shutdown has cooled down. It will also go through the startup ramp.



**Application Note** (Cont.)

**Enable/Fault** (Cont.)

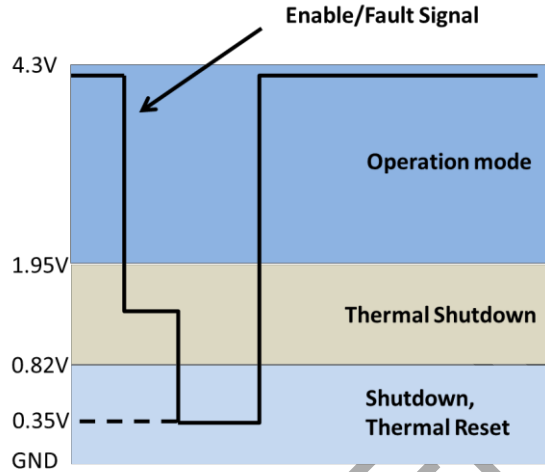


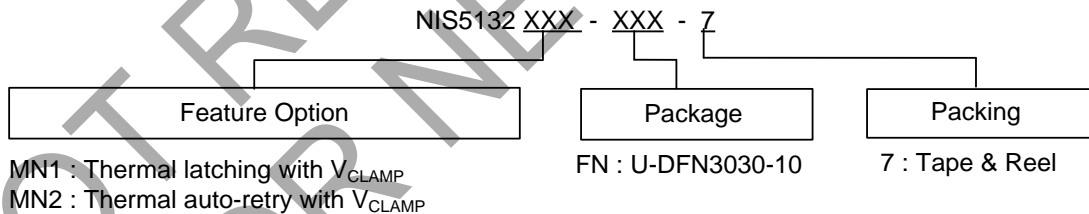
Figure 18. Enable/Fault Signal Levels

**Thermal Protection**

The NIS5132 has an integrated temperature sensing circuit that protects the die in the event of over temperature. The trip point has been intentionally set high at +175°C to allow for increase trip time during high power transient events. The NIS5132 will shut down current flow to the output when the die temperature reaches +175°C. The NIS5132MN1 will restart after the Enable pin has been toggled or the input power has been cycled. The NIS5132MN2 will auto restart after the die temperature has been reduced by -45°C.

Even that the thermal trip point has been set high to allow for high current transients the circuit design should accomplish best thermal performance with good thermal layout of the PCB. It is not recommended to operate NIS5132 above +150°C over extended periods of time.

**Ordering Information**

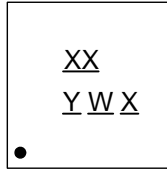


Part Number	Package Code	Packaging	7" Tape and Reel	
			Quantity	Part Number Suffix
NIS5132MN1-FN-7	FN	U-DFN3030-10	3,000/Tape & Reel	-7
NIS5132MN2-FN-7	FN	U-DFN3030-10	3,000/Tape & Reel	-7

**Marking Information**

(1) Package Type: U-DFN3030-10

**( Top View )**



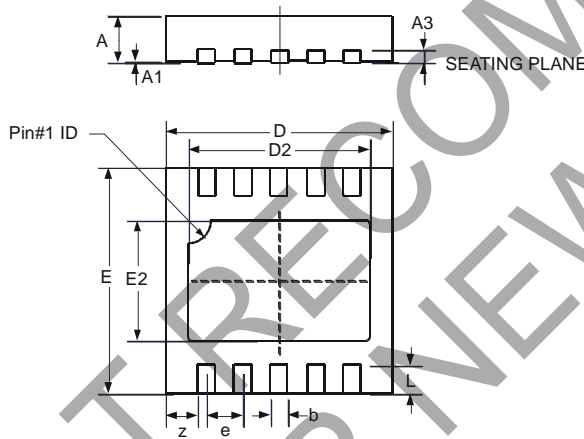
XX : Identification Code  
Y : Year : 0~9  
W : Week : A~Z : 1~26 week;  
           a~z : 27~52 week; z represents  
           52 and 53 week  
X : A~Z : Internal code

Part Number	Package	Identification Code
NIS5132MN1	U-DFN3030-10	M2
NIS5132MN2	U-DFN3030-10	N2

**Package Outline Dimensions**

Please see <http://www.diodes.com/package-outlines.html> for the latest version.

**U-DFN3030-10**

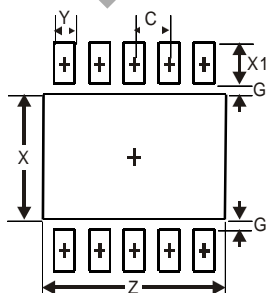


U-DFN3030-10			
Dim	Min	Max	Typ
A	0.57	0.63	0.60
A1	0	0.05	0.02
A3	-	-	0.15
b	0.20	0.30	0.25
D	2.90	3.10	3.00
D2	2.30	2.50	2.40
e	-	-	0.50
E	2.90	3.10	3.00
E2	1.50	1.70	1.60
L	0.25	0.55	0.40
z	-	-	0.375
All Dimensions in mm			

**Suggested Pad Layout**

Please see <http://www.diodes.com/package-outlines.html> for the latest version.

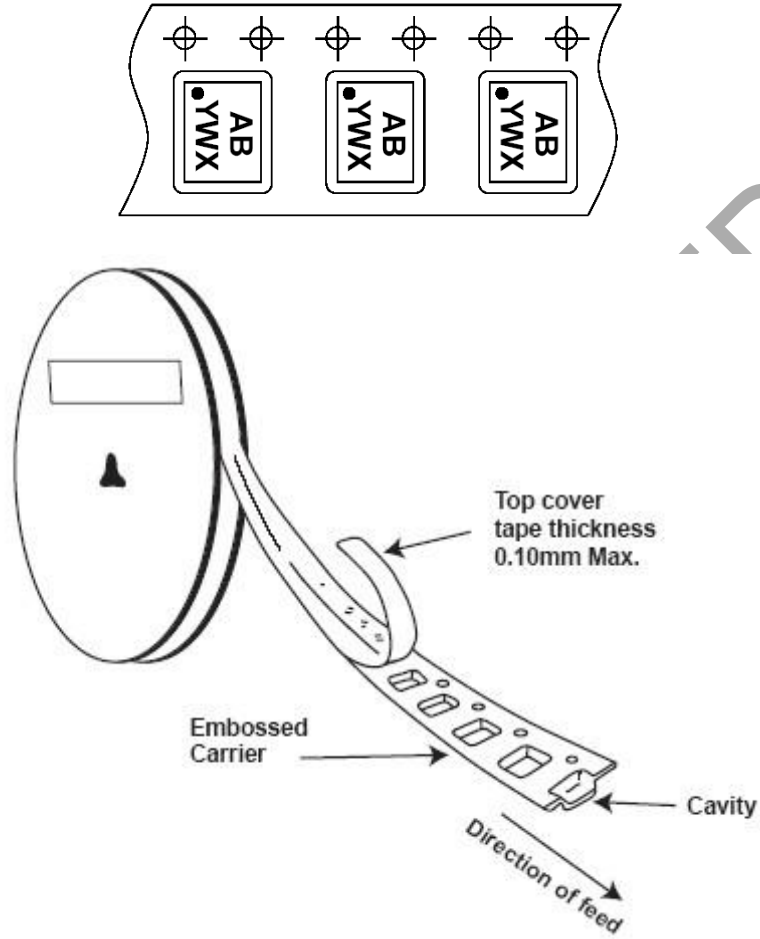
**U-DFN3030-10**



Dimensions	Value (in mm)
Z	2.60
G	0.15
X	1.80
X1	0.60
Y	0.30
C	0.50

### Taping Orientation

(1) Package Type: U-DFN3030-10



Note: 12. The taping orientation of the other package type can be found on our website at <http://www.diodes.com/datasheets/ap02007.pdf>.

NOT RECOMMENDED FOR NEW DESIGN

#### **IMPORTANT NOTICE**

DIODES INCORPORATED MAKES NO WARRANTY OF ANY KIND, EXPRESS OR IMPLIED, WITH REGARDS TO THIS DOCUMENT, INCLUDING, BUT NOT LIMITED TO, THE IMPLIED WARRANTIES OF MERCHANTABILITY AND FITNESS FOR A PARTICULAR PURPOSE (AND THEIR EQUIVALENTS UNDER THE LAWS OF ANY JURISDICTION).

Diodes Incorporated and its subsidiaries reserve the right to make modifications, enhancements, improvements, corrections or other changes without further notice to this document and any product described herein. Diodes Incorporated does not assume any liability arising out of the application or use of this document or any product described herein; neither does Diodes Incorporated convey any license under its patent or trademark rights, nor the rights of others. Any Customer or user of this document or products described herein in such applications shall assume all risks of such use and will agree to hold Diodes Incorporated and all the companies whose products are represented on Diodes Incorporated website, harmless against all damages.

Diodes Incorporated does not warrant or accept any liability whatsoever in respect of any products purchased through unauthorized sales channel. Should Customers purchase or use Diodes Incorporated products for any unintended or unauthorized application, Customers shall indemnify and hold Diodes Incorporated and its representatives harmless against all claims, damages, expenses, and attorney fees arising out of, directly or indirectly, any claim of personal injury or death associated with such unintended or unauthorized application.

Products described herein may be covered by one or more United States, international or foreign patents pending. Product names and markings noted herein may also be covered by one or more United States, international or foreign trademarks.

This document is written in English but may be translated into multiple languages for reference. Only the English version of this document is the final and determinative format released by Diodes Incorporated.

#### **LIFE SUPPORT**

Diodes Incorporated products are specifically not authorized for use as critical components in life support devices or systems without the express written approval of the Chief Executive Officer of Diodes Incorporated. As used herein:

A. Life support devices or systems are devices or systems which:

1. are intended to implant into the body, or
2. support or sustain life and whose failure to perform when properly used in accordance with instructions for use provided in the labeling can be reasonably expected to result in significant injury to the user.

B. A critical component is any component in a life support device or system whose failure to perform can be reasonably expected to cause the failure of the life support device or to affect its safety or effectiveness.

Customers represent that they have all necessary expertise in the safety and regulatory ramifications of their life support devices or systems, and acknowledge and agree that they are solely responsible for all legal, regulatory and safety-related requirements concerning their products and any use of Diodes Incorporated products in such safety-critical, life support devices or systems, notwithstanding any devices- or systems-related information or support that may be provided by Diodes Incorporated. Further, Customers must fully indemnify Diodes Incorporated and its representatives against any damages arising out of the use of Diodes Incorporated products in such safety-critical, life support devices or systems.

Copyright © 2017, Diodes Incorporated

[www.diodes.com](http://www.diodes.com)