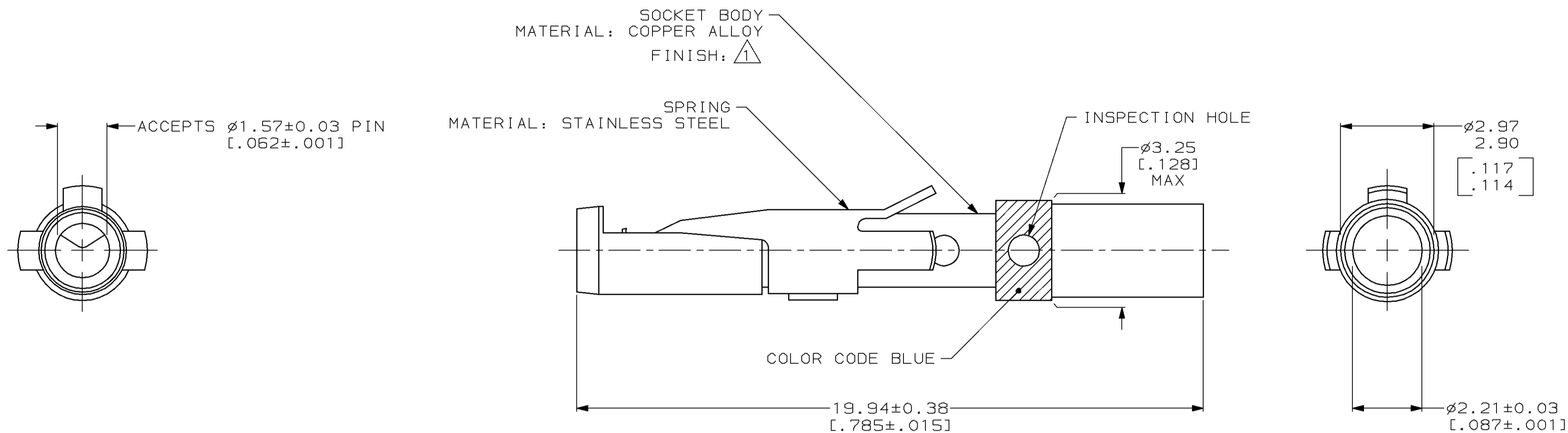


THIS DRAWING IS UNPUBLISHED. RELEASED FOR PUBLICATION
 BY AMP INCORPORATED. ALL RIGHTS RESERVED.

LOC		DIST		REVISIONS			
P	LTR	DESCRIPTION		DATE	DWN	APVD	
FT	8	F		REDRAWN W/O CHANGE PER EC 0320-109-96	03 DEC 97	-	-



$\triangle 1$ 0.76µm [.000030] MIN GOLD OVER 1.27µm [.000050] MIN NICKEL.

202726-1
 PART NUMBER

THIS DRAWING IS A CONTROLLED DOCUMENT.		DWN B. CARBO 03 DEC 97	AMP Incorporated Harrisburg, PA 17105-3608													
DIMENSIONS: mm [INCHES]		CHK R. STONE 10 DEC 97	NAME G. STEINHAUER													
TOLERANCES UNLESS OTHERWISE SPECIFIED:		APVD G. STEINHAUER 06 JAN 98	PRODUCT SPEC													
<table border="0"> <tr><td>0 PLC</td><td>±-</td></tr> <tr><td>1 PLC</td><td>±-</td></tr> <tr><td>2 PLC</td><td>±0.13 [.005]</td></tr> <tr><td>3 PLC</td><td>±-</td></tr> <tr><td>4 PLC</td><td>±-</td></tr> <tr><td>ANGLES</td><td>±-</td></tr> </table>		0 PLC	±-	1 PLC	±-	2 PLC	±0.13 [.005]	3 PLC	±-	4 PLC	±-	ANGLES	±-	APPLICATION SPEC	CONTACT ASSEMBLY, SOCKET, #16, WIRE SIZE-(2) #18, TYPE II	
0 PLC	±-															
1 PLC	±-															
2 PLC	±0.13 [.005]															
3 PLC	±-															
4 PLC	±-															
ANGLES	±-															
MATERIAL SEE CALLOUTS		FINISH SEE CALLOUTS	WEIGHT -	RESTRICTED TO												
SCALE 10:1		SHEET 1 OF 1	REV F													

202726