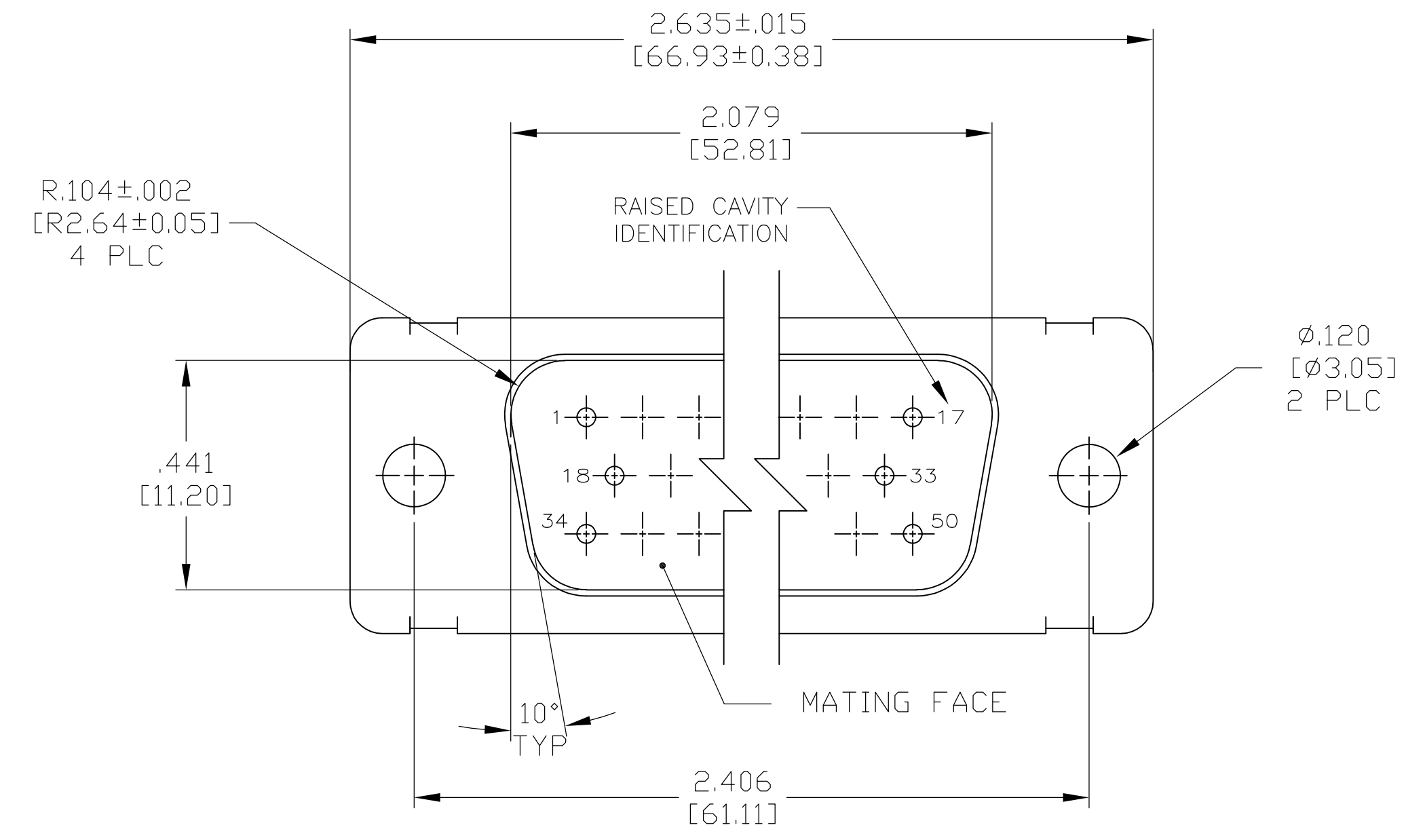
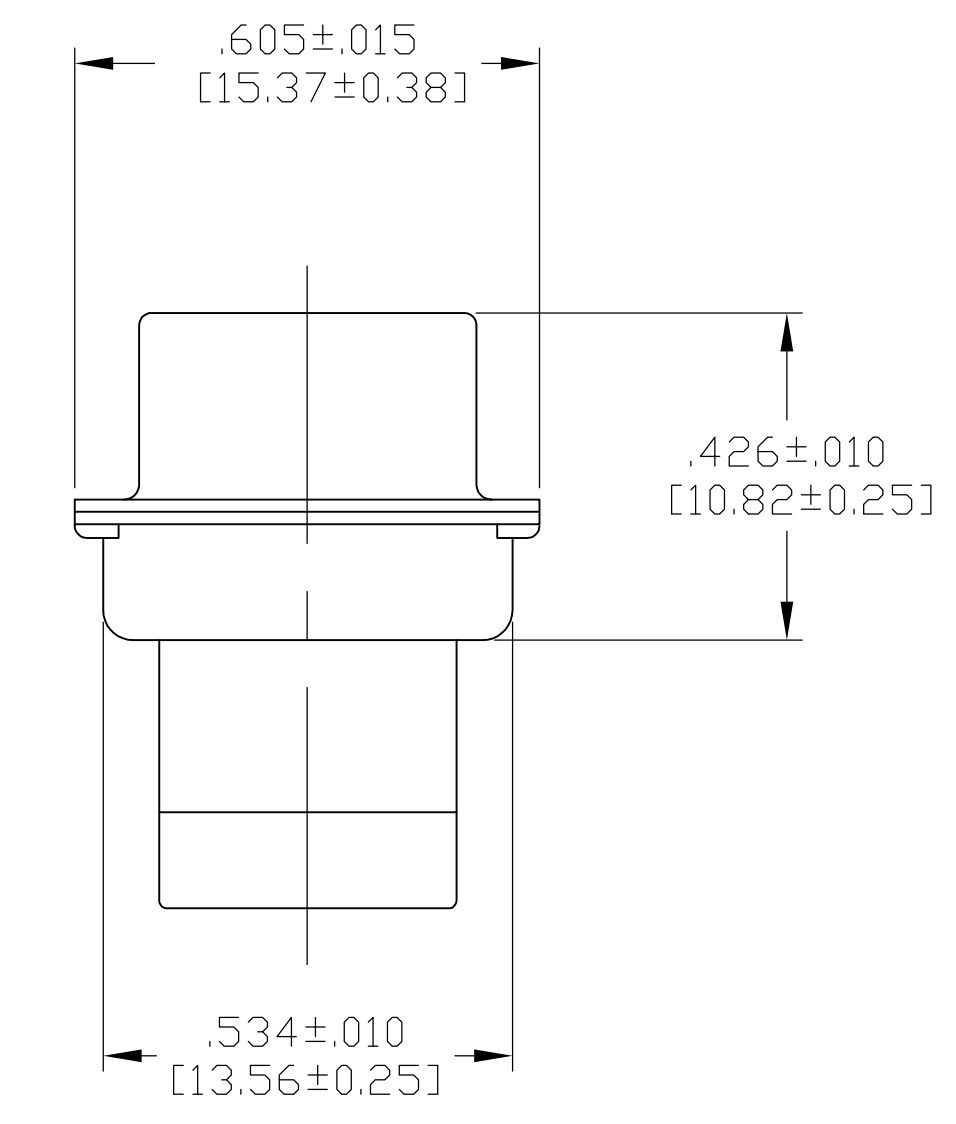
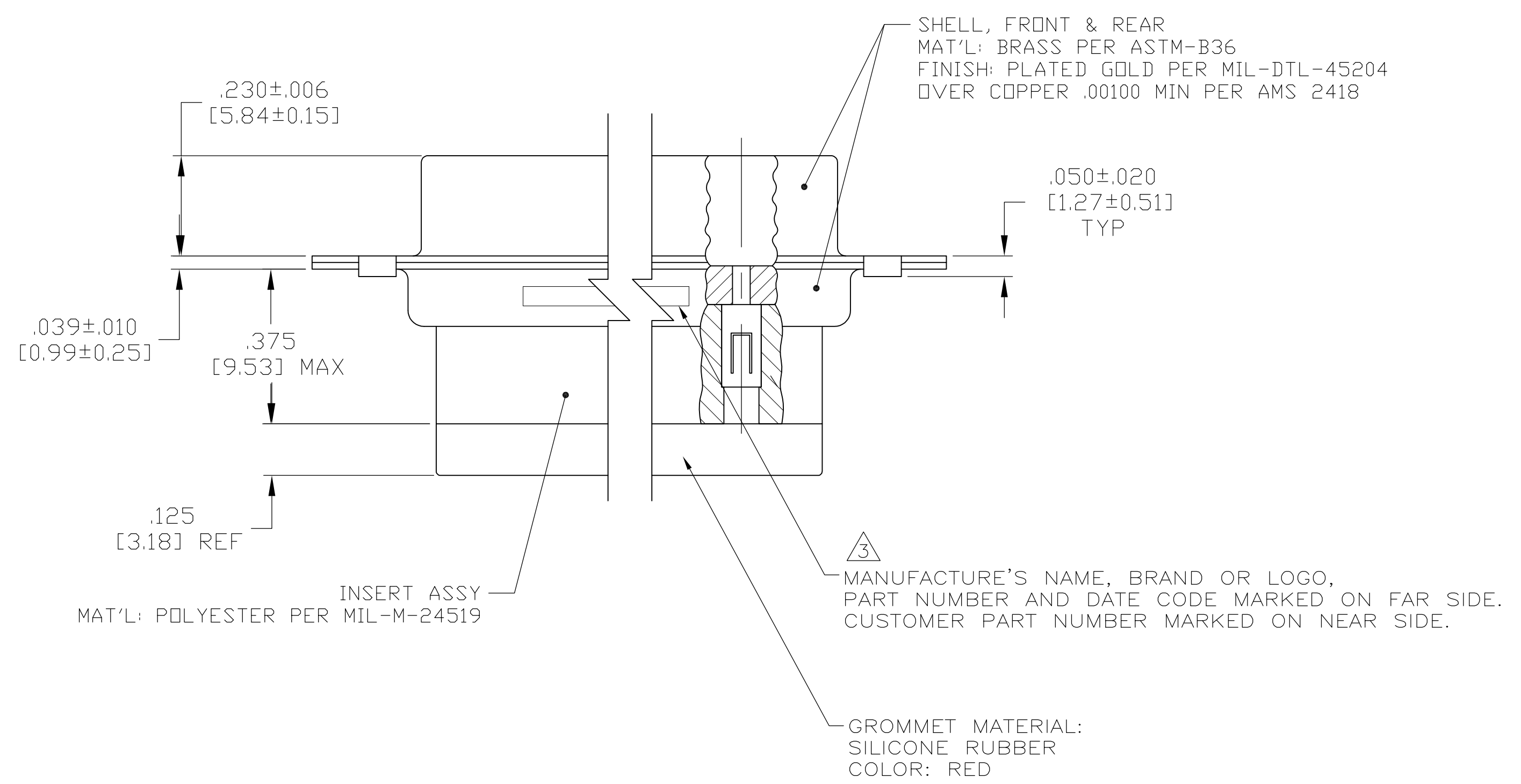


LOC		DIST		REVISIONS			
P	LTR	DESCRIPTION	DATE	DN	APVD	RM	RL
G		REV PER ECO-12-016000	9-18-12				



- THIS CONNECTOR ASSEMBLY IS SUPPLIED WITH Be Cu CONTACT RETENTION CLIPS INSTALLED IN THE INSERT ASSEMBLY.
- THIS CONNECTOR ASSEMBLY MATES WITH ANY PLUG CONNECTOR WITH THE SAME INSERT ARRANGEMENT AND DIMENSIONAL REQUIREMENTS PER MIL-C-24308.
- MARKED WITH .047 [1.19]-.062 [1.57] HIGH CHARACTERS. FAR SIDE REFERS TO THE WIDE SIDE OF THE KEYSTONE. NEAR SIDE REFERS TO THE NARROW SIDE OF THE KEYSTONE.
- MAXIMUM WIRE INSULATION TO BE USED WITH THIS CONNECTOR ASSEMBLY IS .054 [1.37] DIAMETER.
- SPECIAL REQUIREMENTS PER BDEING 1A01 DOCUMENT.
- BUILT TO ORDER, NO INVENTORY OF THIS PART NUMBER IS TO BE KEPT. SINGLE LOT DATE CODE REQUIRED.



REMARKS	CUSTOMER MARKING	PART NUMBER
5 6	1A01-030PHW	1-211642-1
6	A70323-12013-030	211642-8
--	---	211642-4
5 6	1A01-030PHA	211642-1

THIS DRAWING IS A CONTROLLED DOCUMENT.

DIMENSIONS: INCHES	TOLERANCES UNLESS OTHERWISE SPECIFIED:	APPROVED: R. LEASE	DATE: 4-9-09
0 PLC ± -	1 PLC ± -	REVISIONS:	
2 PLC ± -	3 PLC ± .005 [0.13]	DATE: 4-9-09	
4 PLC ± -	ANGLES ± -	NAME: R. LEASE	
MATERIAL: SEE CALLOUTS	FINISH: SEE CALLOUTS	SIZE: A1	CAGE CODE: 00779
		DRAWING NO: 211642	RESTRICTED TO: -
		WEIGHT: -	CUSTOMER DRAWING

Scale: 4:1, Sheet: 1 of 1, Rev: G