

THIS DRAWING IS UNPUBLISHED. RELEASED FOR PUBLICATION .19  
 © COPYRIGHT 19 BY AMP INCORPORATED. ALL RIGHTS RESERVED.

LOC	DIST	REVISIONS					
		P	LTR	DESCRIPTION	DATE	DWN	APVD
DY	-	0		NPR ECR-05-005111	21JUN05	LWY	SYJ

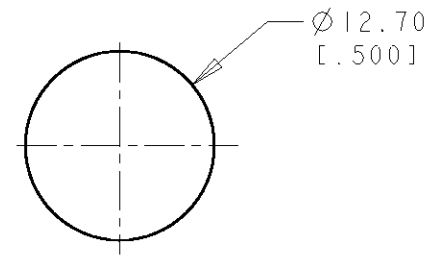
NOTES:

1 SHELLS: BRASS  
 CONTACTS: PHOSPHOR BRONZE  
 HOUSING: POLYESTER, UL 94V-0 RATED, BLACK

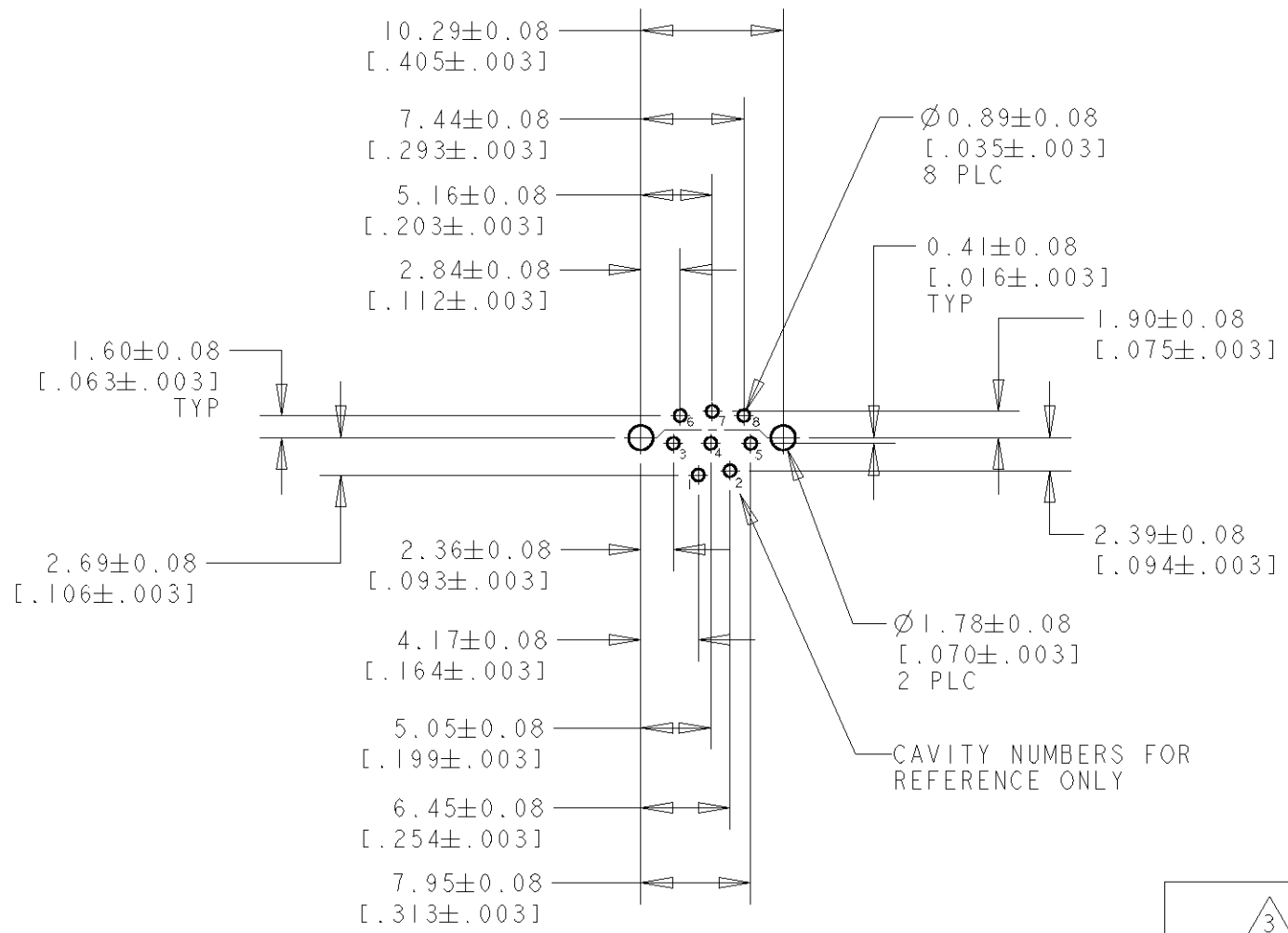
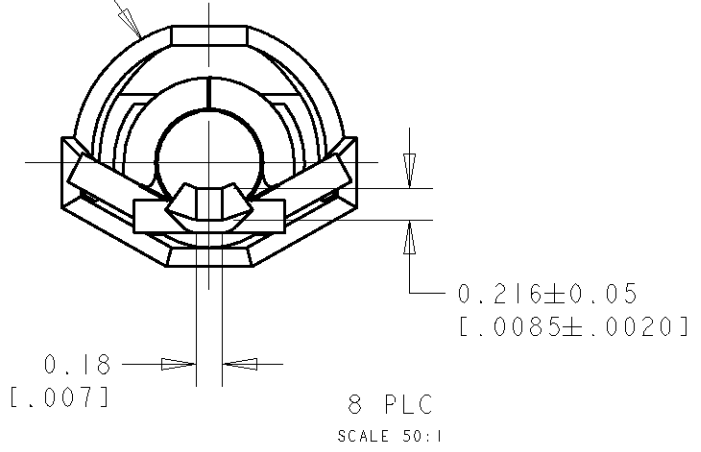
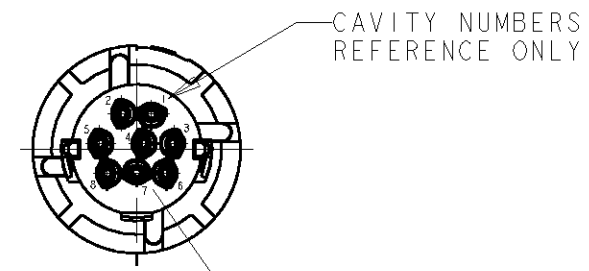
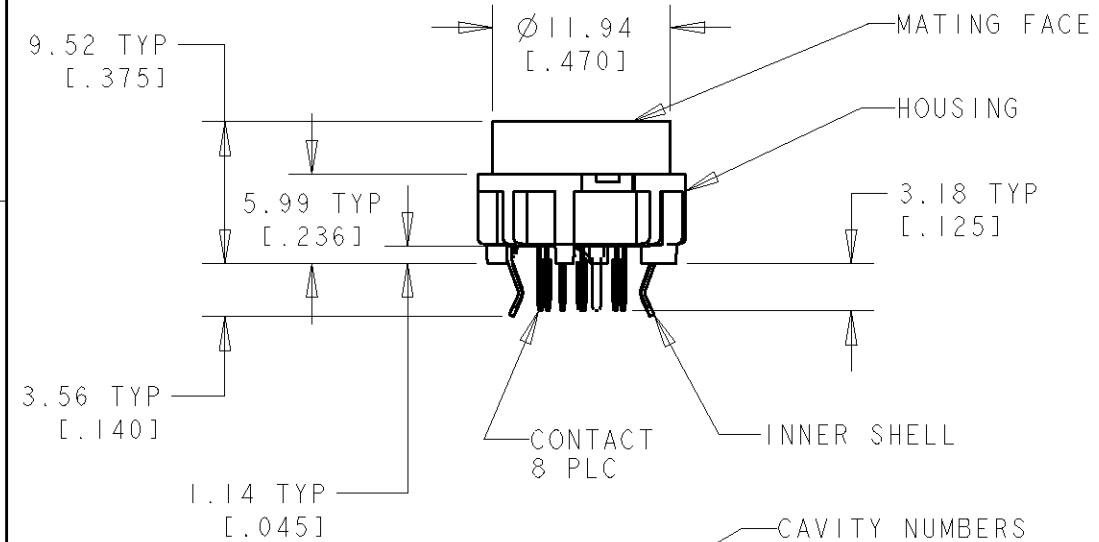
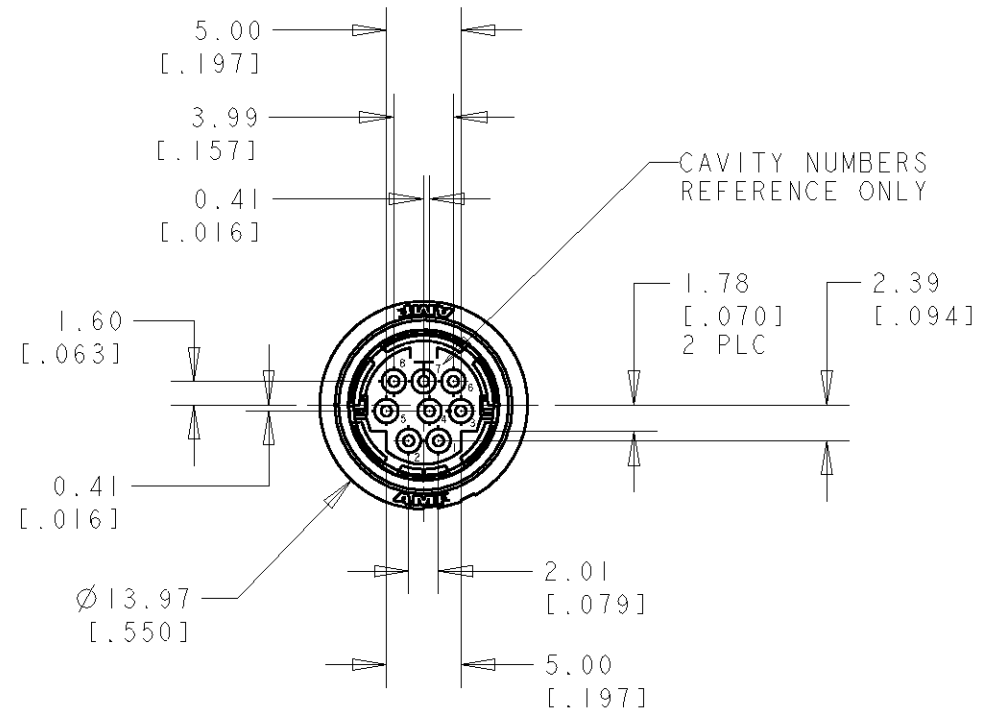
2 0.76um [.000030] MIN GOLD ON MATING END FOR A LENGTH OF 1.37 [.054] MIN ON INSIDE, 2.54um [.000100] MIN TIN FOR A LENGTH OF 3.30um [.130] MIN FROM OPPOSITE END, ALL OVER 1.27um [.000050] MIN NICKEL.

3 2.54um [.000100] MIN TIN OVER 1.27um [.000050] MIN COPPER

4. RECEPTACLE ASSEMBLY MATES WITH 8 PIN,  $\varnothing 8.99 \pm 0.10$  [.354  $\pm$  .004] PLUG.



RECOMMENDED PANEL CUT-OUT



RECOMMENDED PC BOARD LAYOUT  
 BOTTOM VIEW

3	2	5750337-2
INNER SHELL FINISH	CONTACT FINISH	PART NO.

THIS DRAWING IS A CONTROLLED DOCUMENT FOR AMP INCORPORATED. IT IS SUBJECT TO CHANGE AND THE CONTROLLING ENGINEERING ORGANIZATION SHOULD BE CONTACTED FOR THE LATEST REVISION.		DWN WYLEE 21JUN2005	<b>tyco</b> Tyco Electronics Singapore Pte. Ltd.	
DIMENSIONS: mm [INCHES]		CHK YJ SEE	NAME RECEPTACLE ASSEMBLY, 8 POSN, LOW FLANGE, UNSHIELDED, VERTICAL, MINIATURE CIRCULAR DIN, LF	
TOLERANCES UNLESS OTHERWISE SPECIFIED:		APVD SF LEONG	SIZE A3 CAGE CODE 00779 DRAWING NO 5750337	
0 PLC ± -		PRODUCT SPEC -	SCALE 10:1 SHEET 1 OF 1 REV 0	
1 PLC ± -		APPLICATION SPEC -	CUSTOMER DRAWING	
2 PLC ± 0.13 [.005]		WEIGHT -		
3 PLC ± -				
4 PLC ± -				
ANGLES ± -				
MATERIAL SEE TABLE				
FINISH SEE TABLE				