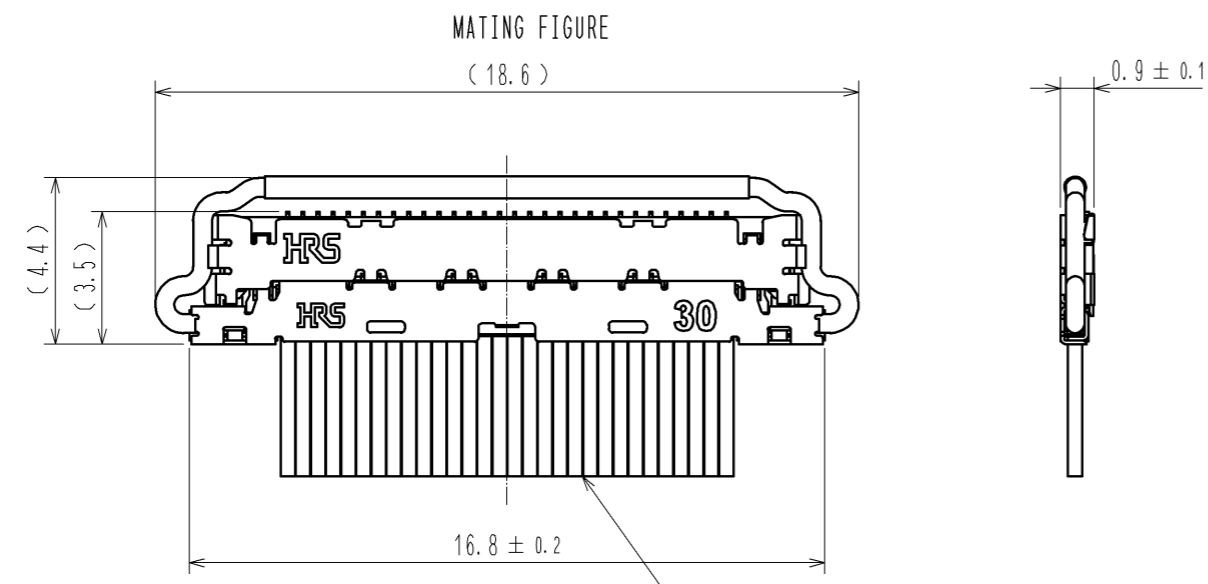


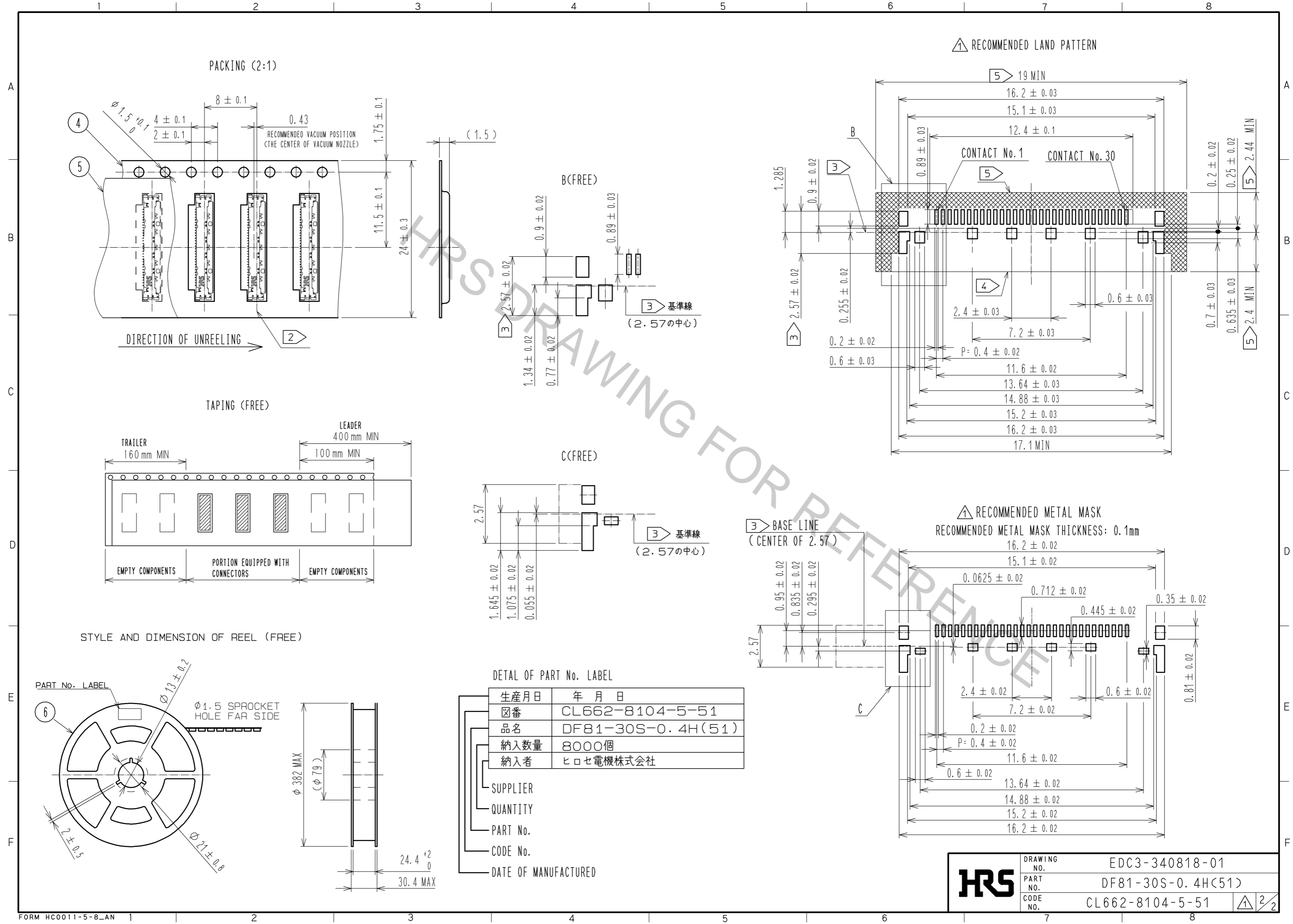
- NOTES
1. LEAD CO-PLANARITY SHALL BE 0.1mmMAX.
 2. DIRECTED CENTER LINE INDICATES THE CENTER OF 2.75±0.2 WHICH IS CONNECTOR DIMENSION. IT CORRESPONDS WITH THE CENTER LINE OF ENBOSSED POCKET.
 3. DIRECTED CENTER LINE INDICATES THE CENTER OF 2.57±0.02 WHICH IS RECOMMENDED LAND PATTERN DIMENSION. IT IS THE BASE LINE OF RECOMMENDED LAND PATTERN DIMENSION AND RECOMMENDED METAL MASK DIMENSION. IT CORRESPONDS WITH THE CENTER OF 2.37±0.2 WHICH IS CONNECTOR DIMENSION.
 4. DIRECTED AREA INDICATES GND AREA OR RESIST AREA.
 5. IT INDICATES PROHIBITION AREA OF MOUNTING. IF PARTS WERE MOUNTED ON THIS AREA, THE LOCK OF CONNECTOR BECOMES DISABLED BECAUSE MOUNTED PARTS INTERFERE WITH THE LATCH OF PLUG.
 6. PER REEL : 8000 COMPONENTS.
 7. THE DIMENSIONS IN PARENTHESES ARE FOR REFERENCE.
 8. REFER TO JIS 0806. (PACKING OF COMPONENTS FOR AUTO HANDRING)



MICRO COAXIAL CABLE AWG#36~AWG#46
DISCRETE CABLE AWG#34~AWG#40

2	LCP	UL94V-0, BLACK	6	PS	BLACK
1	PHOSPHOR BRONZE	CONTACT AREA : Au PLATING 0.1μm MIN. LEAD AREA : Au PLATING 0.05μm MIN. UNDER PLATING : Ni PLATING 1μm MIN.	5	POLYESTER	CLEAR
			4	PS	CLEAR
			3	SUS	CONTACT AREA : Au PLATING 0.05μm MIN. LEAD AREA : Au PLATING 0.05μm MIN. UNDER PLATING : Ni PLATING 0.2μm MIN.
NO.	MATERIAL	FINISH , REMARKS	NO.	MATERIAL	FINISH , REMARKS
UNITS mm		SCALE 5 : 1	COUNT 2	DESCRIPTION OF REVISIONS	
				DESIGNED AH.MIYAZAKI	CHECKED TS.SAKATA
				DATE 13.04.01	
HRS HIROSE ELECTRIC CO., LTD.		APPROVED : TS. SAKATA 12.11.09	DRAWING NO. EDC3-340818-01		
		CHECED : HS. OZAWA 12.11.08	PART NO. DF81-30S-0.4H(51)		
		DESIGNED : TP. MATSUMOTO 12.11.06	CODE NO. CL662-8104-5-51		
		DRAWN : TP. MATSUMOTO 12.11.06	1/2		

May.1.2017 Copyright 2017 HIROSE ELECTRIC CO., LTD. All Rights Reserved.



HRS	DRAWING NO.	EDC3-340818-01
	PART NO.	DF81-30S-0.4H(51)
	CODE NO.	CL662-8104-5-51
		2/2