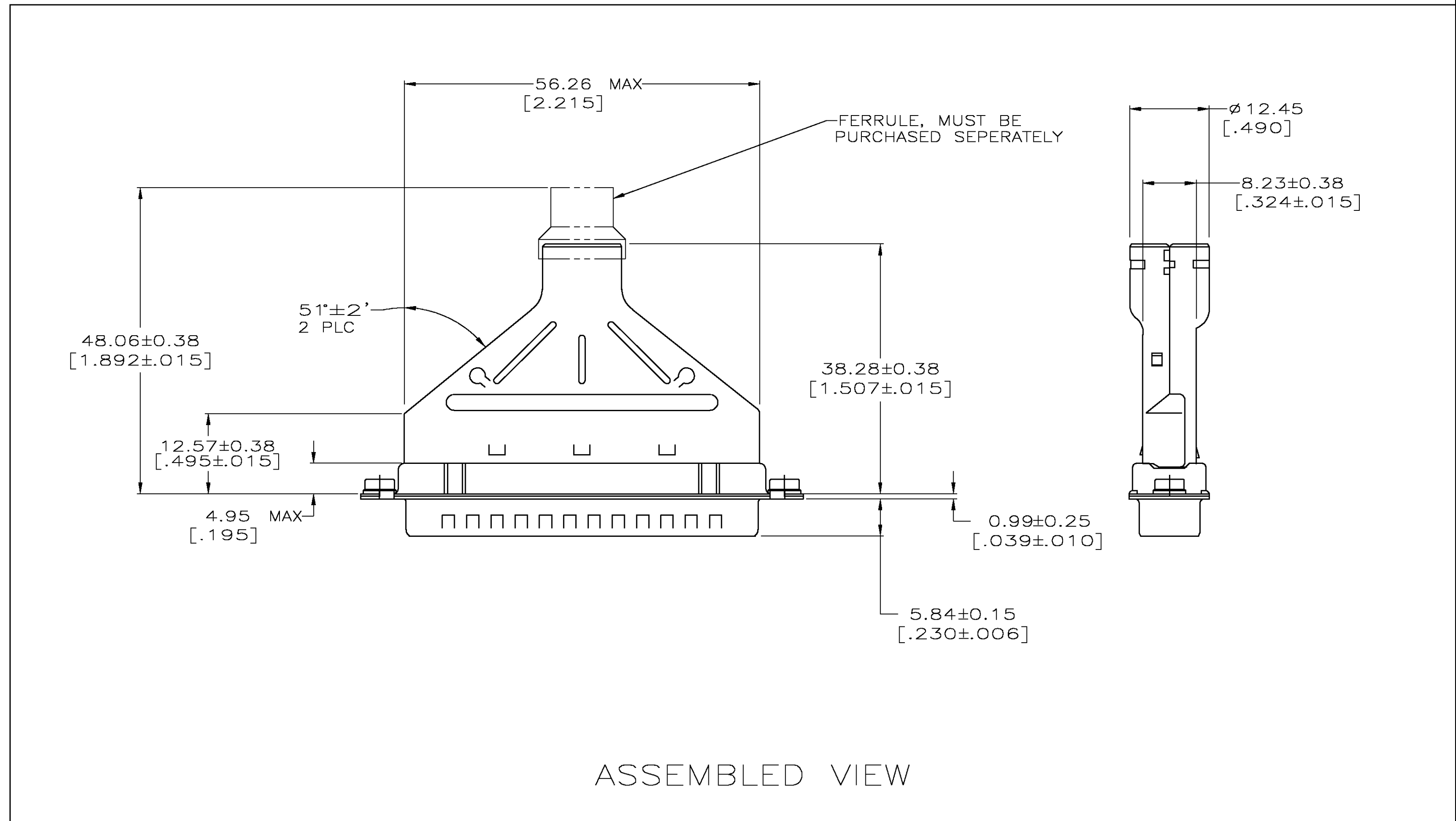
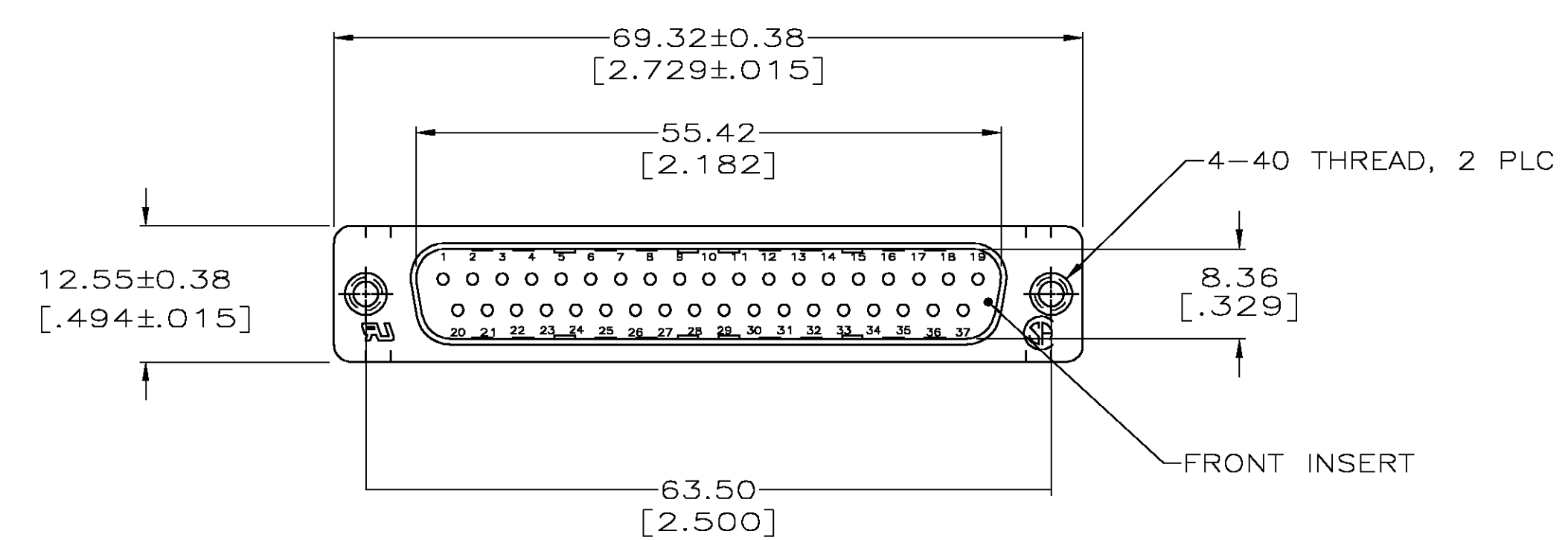
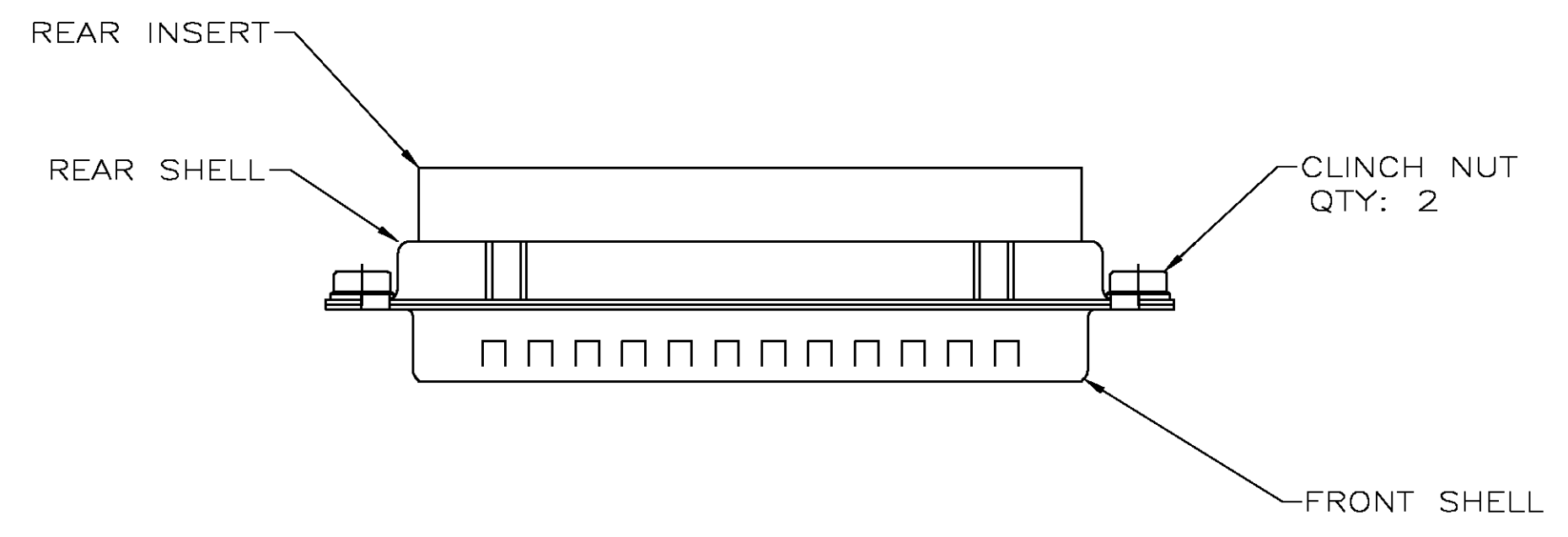
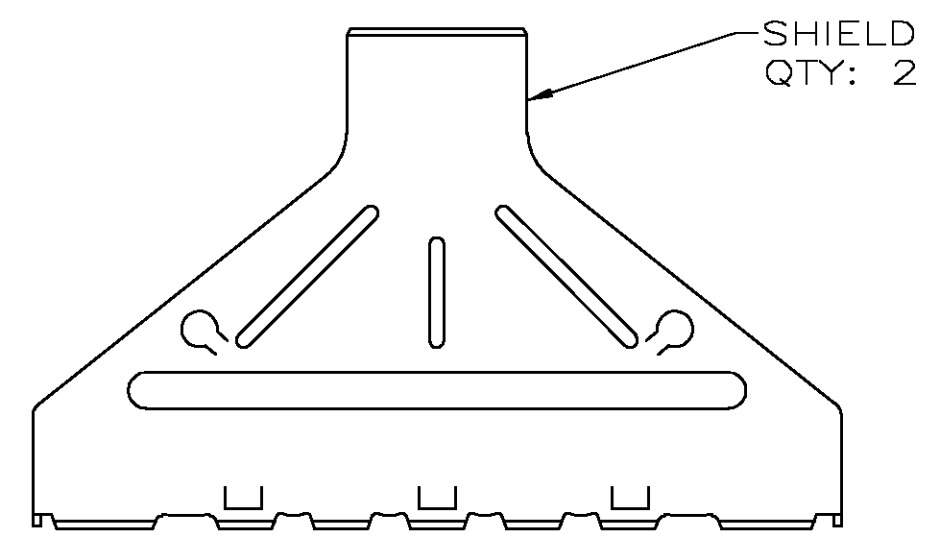


LOC		DIST		REVISIONS			
P	LTR	DESCRIPTION	DATE	DWN	APVD		
0		RELEASED PER EC OS13-0257-04	11-11-04	GA	JG		



- 1 SHELLS, SHIELDS & CLINCH NUTS: CARBON STEEL.
- 2 SHELLS & SHIELDS: 5.08 μm [.000200] MIN TIN OVER 2.54 μm [.000100] MIN COPPER.
- 3 INSERTS: NYLON, UL 94V-0 RATED, GLASS FILLED, BLACK.
- 4 CLINCH NUTS: ZINC PLATED, YELLOW CHROMATE.

5786929-1
PART NO

THIS DRAWING IS A CONTROLLED DOCUMENT.		DWN G. ATTADIA - DOCK5 11-11-04 CHK J. GERACE 11-11-04		Tyco Electronics Corporation Harrisburg, PA 17105-3608	
DIMENSIONS: mm [INCHES]		TOLERANCES UNLESS OTHERWISE SPECIFIED:		APVD M. WALMSLEY 11-11-04	
0 PLC ± -		1 PLC ± -		NAME	
2 PLC ± 0.13 [005]		3 PLC ± -		PRODUCT SPEC	
4 PLC ± -		ANGLES ± -		108-40005 & 108-40030	
MATERIAL		FINISH		APPLICATION SPEC	
				114-40030	
				SIZE CASE CODE DRAWING NO	
				A1 00779 C=5786929	
				RESTRICTED TO	
				CUSTOMER DRAWING	
				SCALE 4:1 SHEET 1 OF 1 REV 0	